

Semi-Electric **LED** **Luminaires**

The Best Partner of Your ECO Life



Meeting the lighting needs of our customers since 1984

We are not just making an ordinary lighting but world most energy-efficient lightings for almost 30 years. We serve a broad range of customer from governmental agencies, most of conglomerate and industries in Korea. Having happy customers for 30 years resulted over 90% of market share in the field of Explosion Proof Lighting in Korea and this figure is keep growing as of this writing. We are now expanding our presence to the global market with LED based lighting solution to stand in forefront of a global energy saving effort.

An old-school commitment to the best energy efficiency, value and service.

There are literally thousands of LED lighting manufacturers on the market but only few of them deliver a SIGNIFICANT energy saving grade performance. The primary purpose of using LED based lighting is, of course, to save earth by using less electricity to generate light. We are just following this simple principle and deliver lowest watts per lumen performance while maintain unmatched consistency in color rendering and total lumen, the brightness. We also understand cost effectiveness is ongoing challenge for all of our customers. For this reason, we strive to learn customers requirements in lighting to provide an optimum solution from lighting layout design to installation. Such an old-school commitment will not change until the last light on earth goes off.

We know exactly what we are doing.

With 30 years of experiences and fatigueless studies, we know how to provide you an optimum lighting solution for the replacement lighting or a new installation. With Semi-Electric, you can be sure you are making not just the best decision for your lighting need but the best decision for your shortest return on investment as well.



Company History

- 1984. 10.** Woochang Electrical Industry Co., Ltd. Was born
- 1988. 12.** Renamed to 'Hyundai Explosion Proof Electricity Co., Ltd.
- 2009. 07.** Established Semi Lighting Co., Ltd. (LED Industrial Lighting)
- 2010. 07.** Acquired ISO 9001 Certification
- 2012. 07.** Acquired KS / Explosion Proof Certification
- 2013. 09.** Acquired d ISO 14001 Certification
- 2015. 11.** Established OH & Jung Lighting Co., Ltd. (subsidiary company)
- 2016. 05.** Establishment Japan Semi Lighting
- 2016. 06.** Acquired ATEX Certification
- 2017. 11.** Acquired UL Certification
- 2018. 01.** Acquired Environmental Certification
- 2019. 05.** Acquired Green Technology / Products Certification
- 2020. 04.** Acquired IECEx / ATEX Certification
- 2022. 12.** Changed corporate name to 'Semi Electric Co., Ltd.'
- 2025. 02.** Establishment of a local corporation in Saudi Arabia

Contents

1. NON-SPARKING LED LIGHTING FIXTURE | 15~22
2. DUST PROOF LED LIGHTING FIXTURE | 23~32
3. DUST PROOF LED DISPLAY | 33~38
4. NON-SPARKING / DUST PROOF LED LIGHTING FIXTURE | 39~50
5. EXPLOSION PROOF LED LIGHTING FIXTURE | 51~78
6. NON-SPARKING / DUST PROOF LED LIGHTING FIXTURE IECEx / ATEX | 79~82
7. EXPLOSION PROOF / DUST PROOF LED LIGHTING FIXTURE IECEx / ATEX | 83~86
8. EXPLOSION PROOF LED LIGHTING FIXTURE ATEX | 87~90
9. ROAD WAY LED LIGHTING FIXTURE | 91~98
10. STREET AND SECURITY LED LIGHTING FIXTURE | 99~104
11. LED FLOOD LIGHTING FIXTURE | 105~126
12. LED TUNNEL LIGHTING FIXTURE | 127~130
13. SELF-BALLASTED LED LIGHTING FIXTURE | 131~134
14. LED PARK LIGHTING FIXTURE | 135~140
15. LED WORK LIGHTING | 141~142
16. LED SEARCH LIGHTING FIXTURE | 143~144

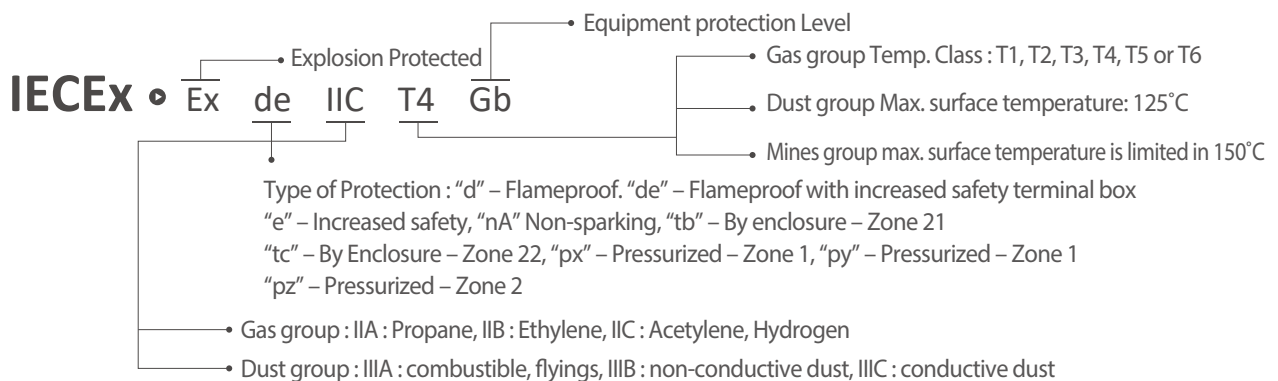
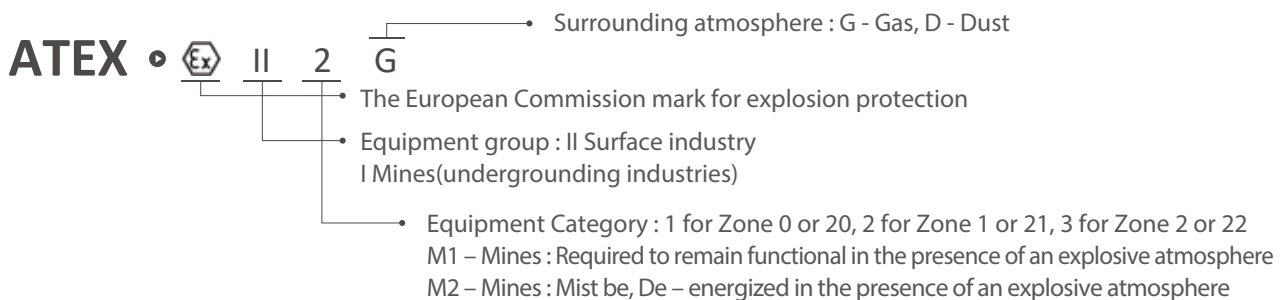
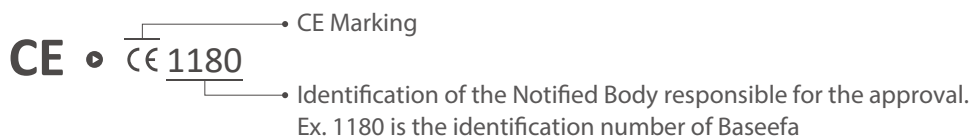


Typical ATEX & IECEx Marking

1. Protection Concepts

Example) Ex(1) d(2) IIC(3) T4(4) Gb(5)
 Ex(1) tb(2) IIIC(3) T135(4) Db(5)

- (1) Explosion protection
- (2) Type of protection : ia / ib / ic, ma / mb / mc(Ex m), sa / sb / sc(Ex s), da / db / dc(Ex d), eb / ec(Ex e), ob / oc(Ex 0), op is / op sh(pr), pxb / pyb / pzc(px, py, pz), ta /tb /tc(Ex tD)
- (3) Gas Group & Dust Group
- (4) T4 / T300°C : Temperature Class
- (5) IEC Equipment Protection Level for Gases, vapours and mists group(G)
 IEC Equipment Protection Level for Dust group(D)





Comparison of Explosion proof marking

- KCs Marking : 방호장치안전인증고시 & KS C IEC 60079-0

국내 (방호장치 안전인증 고시)	IEC 60079-0 / EN 60079-0 Gas	IEC 60079-0 / EN 60079-0 Dust
Ex d IIC T1	Ex d IIC T1 Gb	Ex ta IIIA T90°C Da
Ex d IIB+H2 T4	Ex d IIB+H2 T4 Gb	Ex tc IIIC T500 320°C Dc
Ex d IIA 600°C	Ex d IIA 600°C Gb	Ex tb IIIB T80°C... T195°C Db
Ex d IIC 350°C(T1)	Ex d IIC 350°C(T1) Gb	Ex tb [ia Da] IIIC T100°C Db
Ex d [ia] IIC T4	Ex d [ia] IIC T4 Gb	Ex tb [ia IIIC Da] IIIB T100°C Db
Ex d [ia IIC] IIB T4	Ex d [ia IIC] IIB T4 Gb	[Ex ia Da] IIIC Da
Ex d ia IIC T4	Ex d ia IIC T4 Gb	
[Ex ia] IIC	[Ex ia] IIC Ga	
Ex tD A21 IP65 T80°C		

Typical explosion proof marking of NEC standard

NEC505		NEC500	
Class I	Permitted Class	Class I	Permitted Class
Zone 1	Permitted Zone	Division 1	Permitted Division
A	American Standard American National Standards Institute (ANSI)	Groups A B C D	Gas Group
Ex	Explosion Protection	T5	Temperature Class
db	Method of Protection		
IIC	Gas Group		
T5	Temperature Class		
Gb	EPL		

Area Classification of NEC standard

Flammable Material Present Continuously	Flammable Material Present Intermittently		Flammable Material Present Abnormally
IEC/EU	ZONE 0	ZONE 1	ZONE 2
US NEC 505	ZONE 0	ZONE 1	ZONE 2
US NEC 500	Division 1		Division 2



Hazardous Area : Gas, Vapour & Mists

IEC 60079-10-1	Description	EPL (IEC)	Category (ATEX)	UL	
				NEC500	NEC505
ZONE 0	An area in which an explosive gas atmosphere is present continuously or for long periods or frequently	Ga	1 G	Division 1	Zone 0
ZONE 1	An area in which an explosive gas atmosphere is likely to occur periodically or occasionally in normal operation	Gb	2 G		Zone 1
ZONE 2	An area in which an explosive gas atmosphere is likely to occur periodically or occasionally in normal operation but, if it does occur, it will exist for a short period only	Gc	3 G	Division 2	Zone 2

Typical marking of Explosive Gas / Dust Group

Group I (Mine) : Electrical equipment of Group I is intended for use in mines susceptible to firedamp.

Group II (Gas) : Electrical equipment of Group II is intended for use in places with an explosive gas atmosphere other than mines susceptible to firedamp. IIA, IIB, IIC, II

Group III (Dust) : Electrical equipment of Group III is intended for use in places with an explosive dust atmosphere other than mines susceptible to firedamp. IIIA, IIIB, IIIC, III

Associated standard : IEC 60079-20-1 (Gas), IEC 60079-20-2 (Dust),

Example) Ex d IIB+H2 T6(IEC), Ex ta IIIC T85°C (IEC), Ex tD A21 T100°C (KCs)

- 1) Mine : I
- 2) Gas Group : IIA, IIB, IIC, II
- 3) Dust Group: IIIA, IIIB, IIIC
- 4) KCs Dust Group : Zone 21(Ex tD A21 T100°C), Zone 22(Ex tD A22 T100°C)

Marking of ATEX

Example) II 2 G Ex db eb IIC T6(Gas), II 2 D Ex tb IIIC T80 °C (Dust)

Gas & Dust Grouping of IEC / ATEX

Group	I (Mine)	II (Gas)		III (Dust)	
Typical Gas	Methane	IIA	Propane, Acetone, ethane, Benzene, Petrol, Butane	IIIA	Combustible Flying, Rayon(인조견), Cotton(면), 삼, 코코아 섬유
		IIB	Ethylene	IIIB	Non-conductive dust Electrical resistivity > 103 Ωm
		IIC	Hydrogen, Acetylene	IIIC	Conductive dust Electrical resistivity > 103 Ωm



Typical Gas Groupings

Gas, dust or Fibers	IEC / Europe Canada (CEC)	USA NEC (505)	Canada (CEC) USA NEC (500)
Acetylene	Group IIC	Class I, Group IIC	Class I, Group A
Hydrogen			Class I, Group B
Ethylene	Group IIB	Class I, Group IIB	Class I, Group C
Propane	Group IIA	Class I, Group IIA	Class I, Group D
Methane	Group I	Class I, Group IIA	Class I, Group D
Metal Dust	Group IIIC		Class II, Group E (Div 1 only)
Coal Dust	Group IIIB		Class II, Group F
Grain Dust	Group IIIB		Class II, Group G
Wood, Paper or Cotton	Group IIIA		Class II, Group H

Hazardous area & EPL

Zone	Equipment protection levels (EPLs)
0	"Ga"
1	"Ga" or "Gb"
2	"Ga", "Gb" or "Gc"
20	"Da"
21	"Da" or "Db"
22	"Da", "Db" or "Dc"



Hazardous area & EPL of Flammable Gas, Vapour & mists

Application	EPL	Type of protection	Code	Standard
Zone 0 (0종 장소)	"Ga"	Intrinsic safe	"ia"	IEC 60079-11
		Encapsulation	"ma"	IEC 60079-18
		Optical Radiation	"op is"	IEC 60079-28
		Special protection	"sa"	IEC 60079-33
Zone 1 (1종 장소)	"Gb"	Flameproof enclosures	"d"	IEC 60079-1
		Increased safety	"e"	IEC 60079-7
		Intrinsic safety	"ib"	IEC 60079-11
		Encapsulation	"m", "mb"	IEC 60079-18
		Liquid immersion	"o"	IEC 60079-6
		Pressurized enclosures	"p", "px", "py", "pxb" or "pyb"	IEC 60079-2
		Powder filled	"q"	IEC 60079-5
		Optical Radiation	"op is", "op sh", "op pr"	IEC 60079-28
Zone 2 (2종 장소)	"Gc"	Intrinsically safe	"ic"	IEC 60079-11
		Encapsulation	"mc"	IEC 60079-18
		Non-sparking	"n" or "nA"	IEC 60079-15
		Restricted breathing	"nR"	IEC 60079-15
		Energy limitation	"nL"	IEC 60079-15
		Sparking equipment	"nC"	IEC 60079-15
		Pressurized enclosures	"pz" or "pzc"	IEC 60079-2
		Optical Radiation	"op is", "op sh", "op pr"	IEC 60079-28
		Special protection	"sc"	IEC 60079-33



Hazardous area & EPL of combustible Dust





Application	EPL	Type of protection	Code	Standard
Zone 20 (20종 장소)	"Da"	Encapsulation	"ma"	IEC 60079-18
		Protection by enclosure (Dust exclusion)	"ta"	IEC 60079-31
		Intrinsic safety	"ia" or "iaD"	IEC 60079-11 or IEC 61241-11
		Special protection	"sa"	IEC 60079-33
Zone 21 (21종 장소)	"Db"	Encapsulation	"mb"	IEC 60079-18
		Protection by enclosure (Dust exclusion)	"tb" or "tD"	IEC 60079-31 IEC 61241-1
		Pressurized enclosure	"pD"	IEC 61241-4
		Intrinsic safety	"ib" or "ibD"	IEC 60079-11 or IEC 61241-11
		Special protection	"sb"	IEC 60079-33
Zone 22 (22종 장소)	"Dc"	Encapsulation	"mc"	IEC 60079-18
		Protection by enclosure (Dust exclusion)	"tc" or "tD"	IEC 60079-31 IEC 61241-1
		Pressurized enclosure	"pD"	IEC 61241-4
		Intrinsic safety	"ic"	IEC 60079-11
		Special protection	"sc"	IEC 60079-33

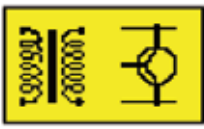


* Level of protection : db dc eb ec ma mb mc



Basic principles of explosion protection

- Type of protection for electrical Zone 1 / Category 2- Resources

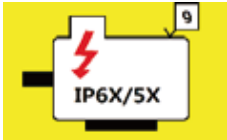
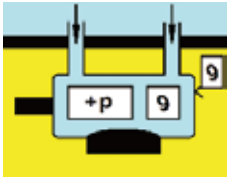
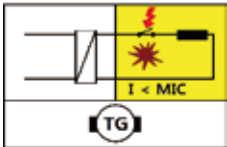

Type of protection	Flameproof enclosure	Sand encapsulation	Pressurization	Oil encapsulation
Symbol	d	q	P	o
IEC CENELEC	IEC 60079-1 EN 50018	IEC 60079-5 EN 50017	IEC 60079-2 EN 50016	IEC 60079-6 EN 50015
Schematic				
Application	Power operated equipment, switchgear, motors (all equipment that produce an ignition source in normal operation)	Capacitors, electronic components, Fuses	Power operated equipment (active safety measures are required)	Transformers (rarely applied)

Type of protection	Encapsulation	Increased safety	Intrinsic safety
Symbol	m	e	i
IEC CENELEC	IEC 60079-18 EN 50028	IEC 60079-7 EN 50019	IEC 60079-11 EN 50020
Schematic			
Application	Measuring and control engineering, relays, Electronic circuits.	Connection and distribution boxes, luminaires, Measuring instruments, squirrel cage motors (no ignition source in normal operation)	Measuring and control engineering, data engineering (low electrical values)



Basic principles of explosion protection

- Type of protection for dust explosion protected equipment (present stand of the standards)

Symbol	Principle	Type of protection	Present IEC	Future IEC	Old CLC
tD		Tightness and temperature control	IEC 61241-0 +IEC 61241-1	IEC 60079-31	EN 50281-1-1
pD		Pressurization	IEC 61241-2	IEC 60079-2	-
iD		Intrinsic safety	IEC 61241-11	IEC 60079-11	-
mD		Moulded compound	IEC 61241-18	IEC 60079-18	-



Gas or Dust grouping

Relationship between Gas / Vapour or Dust Subdivision and equipment group

Location Gas / Vapour or Dust subdivision	Permitted equipment group
IIA	II, IIA, IIB or IIC
IIB	II, IIB or IIC
IIC	II, or IIC
IIIA	IIIA, IIIB or IIIC
IIIB	IIIB or IIIC
IIIC	IIIC

Temperature Classification

AIT(Auto Ignition Temperature)

The value of auto-ignition temperature depends on the method of testing according to IEC 60079-20-1 Clause 7 and Annex B.

Temperature class required by the area classification	Ignition temperature of gas or vapour in °C	Maximum surface temperature for hot surface	Temperature class required by the area classification(NEC)
T1	> 450	440	T1
T2	280 < t < 300	290	T2
	260 < t < 280		T2A
	230 < t < 260		T2B
	215 < t < 230		T2C
	200 < t < 215		T2D
T3	180 < t < 200	195	T3
	165 < t < 180		T3A
	160 < t < 165		T3B
	135 < t < 160		T3C
T4	120 < t < 135	130	T4
	100 < t < 120		T4A
T5	85 < t < 100	95	T5
T6	t < 85	80	T6



Explosion Gas Groups & Classification of Explosion Gases and Vapour Group and Temperature Classes

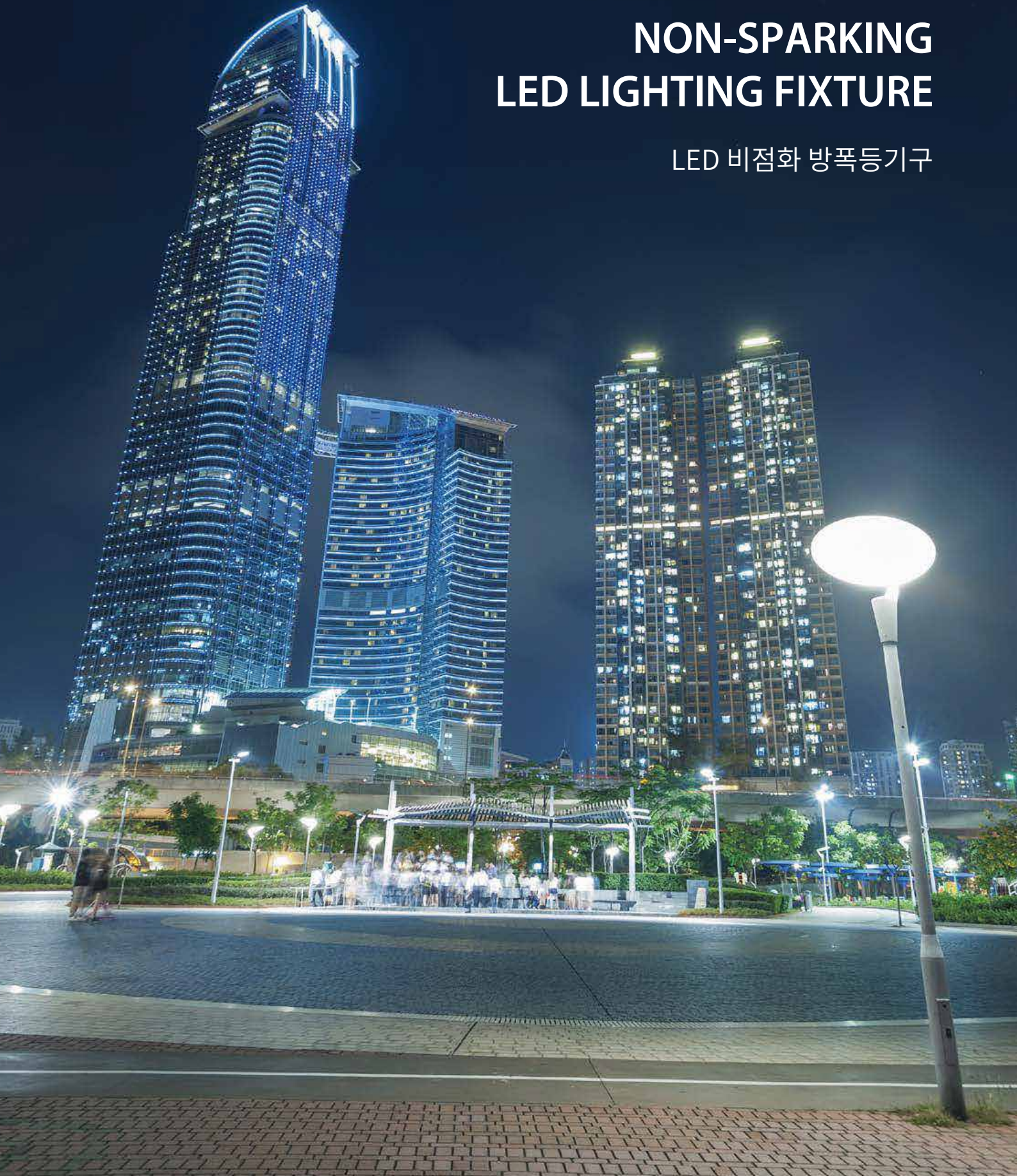
Group	T1	T2	T3	T4	T5	T6
I	Methane					
IIA	Acetone Ethane Ethyl acetate Ammonia Benzene(pure) Acetic acid Carbon monoxide Methane Methanol Propane Toluene	Methyl alcohol i-amyl acetate n-butane n-butyl alcohol	Gasoline Diesel fuel Aviation fuel Heating oils n-hexane	Acetaldehyde Ethyl ether		
IIB	Town gas (coal gas)	Ethylene				
IIC	Hydrogen	Acetylene			Carbon disulphide	

Ingress Protection(IP) Codes

The first figure-Protection against solid bodies		The second figure - Protection against water	
0	Non-protection	0	Brief statement
1	Prevent the solid strange particles, of which size is more than 50mm.	1	Non-protection drop-proof
2	Prevent the solid strange particles, of which size is more than 12mm.	2	15° drop-proof
3	Prevent the solid strange particles, of which size is more than 2.5mm.	3	Showering waterproof
4	Prevent the solid strange particles, of which size is more than 1mm.	4	Splashing waterproof
5	Dustproof	5	Spraying waterproof
6	Dust-sealed	6	Wave-proof
		7	Effect of soaking in water proof
		8	Effect of diving-proof

NON-SPARKING LED LIGHTING FIXTURE

LED 비점화 방폭등기구





LED 비점화 방폭등기구

Non-Sparking LED Lighting Fixture [Ex nR]

- Top rate energy saving
- Excellent Luminous efficiency
- Consistent color rendering
- Light Weight
- Effortless installation
- Quality Waterproof part

Ex nR II T6 IP66 (Ex nR II T6 Gc IP66)



PRODUCT CONTENTS

Model No.	nR-II T6-L**		
Power	30 W	60 W	80 W
Replaced	MH 80~175 W	MH 175~250 W	MH 300~400 W
Certificate			
Luminous Efficiency	180 lm/W ±10 %	180 lm/W ±10 %	180 lm/W ±10 %
Total luminous flux	5 400 lm ±10 %	10 800 lm ±10 %	14 400 lm ±10 %
Weight (Head)	5 kg ±10 %	5 kg ±10 %	5 kg ±10 %

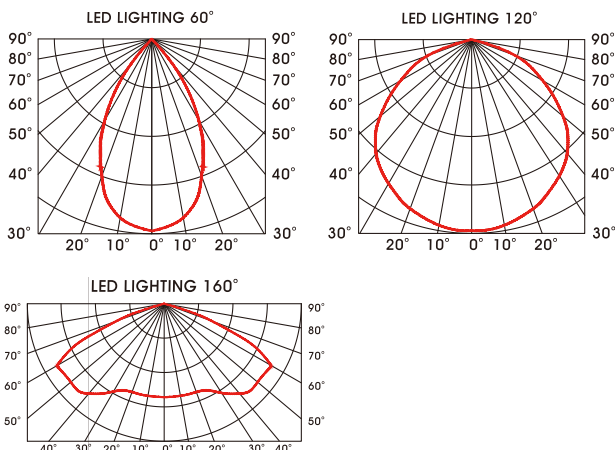
Electrical Characteristics

Type	Built-in SMPS
Protection	Ex nR II T6 IP66 For Zone2
Ambient temp	-20 °C ~ + 40 °C
Beam angle	60 ° / 120 ° / 160 °
Warranty	3 Years
Rated voltage	AC 100 ~ 240 V
Frequency	50 Hz / 60 Hz
Power factor	Min 90%
CCT	5 000 ± 283 K
CRI	80 ± 5 %

Material Characteristics

Enclosure	Die Cast Aluminum Alloy
Front cover	Tempered Glass
ACC	SUS

LIGHT DISTRIBUTION CURVE

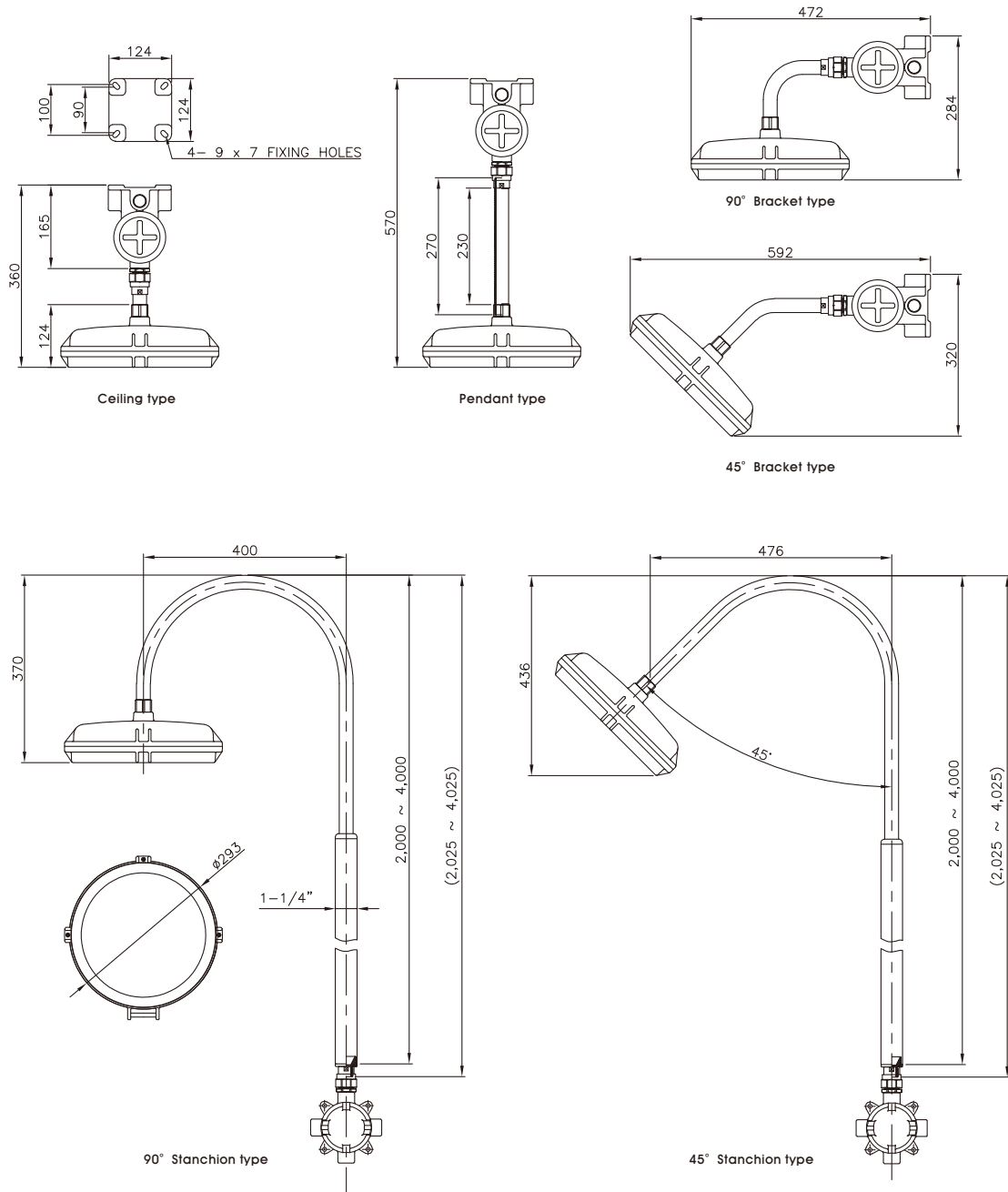


CERTIFICATION





Ex nR II T6 IP66 (Ex nR II T6 Gc IP66)



Non-Sparking LED Lighting Fixture [Ex nR]

- Top rate energy saving
- Excellent Luminous efficiency
- Consistent color rendering
- Light Weight
- Effortless installation
- Quality Waterproof part

LED 비점화 방폭등기구 <POLE STANCHION TYPE>

Ex nR II T6 IP66 (Ex nR II T6 Gc IP66)



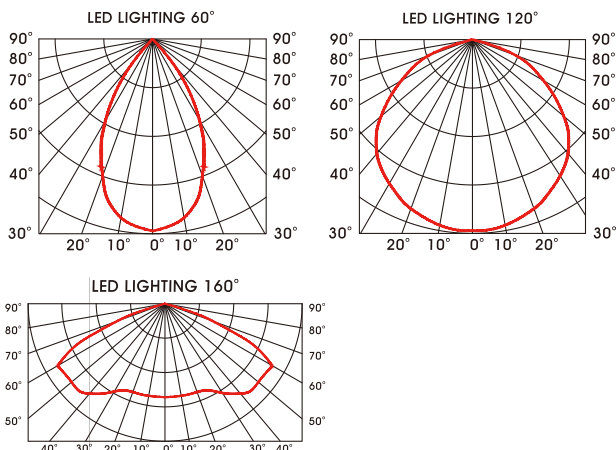
PRODUCT CONTENTS

Model No.	nR-II T6-L**P		
Power	30 W	60 W	80 W
Replaced	MH 80~175 W	MH 175~250 W	MH 300~400 W
Certificate			
Luminous Efficiency	180 lm/W ±10 %	180 lm/W ±10 %	180 lm/W ±10 %
Total luminous flux	5 400 lm ±10 %	10 800 lm ±10 %	14 400 lm ±10 %
Weight (Head)	5 kg ±10 %	5 kg ±10 %	5 kg ±10 %

Electrical Characteristics	
Type	Built-in SMPS
Protection	Ex nR II T6 IP66 For Zone2
Ambient temp	-20 °C ~ + 40 °C
Beam angle	60 ° / 120 ° / 160 °
Warranty	3 Years
Rated voltage	AC 100 ~ 240 V
Frequency	50 Hz / 60 Hz
Power factor	Min 90%
CCT	5 000 ± 283 K
CRI	80 ± 5 %

Material Characteristics	
Enclosure	Die Cast Aluminum Alloy
Front cover	Tempered Glass
ACC	SUS

LIGHT DISTRIBUTION CURVE

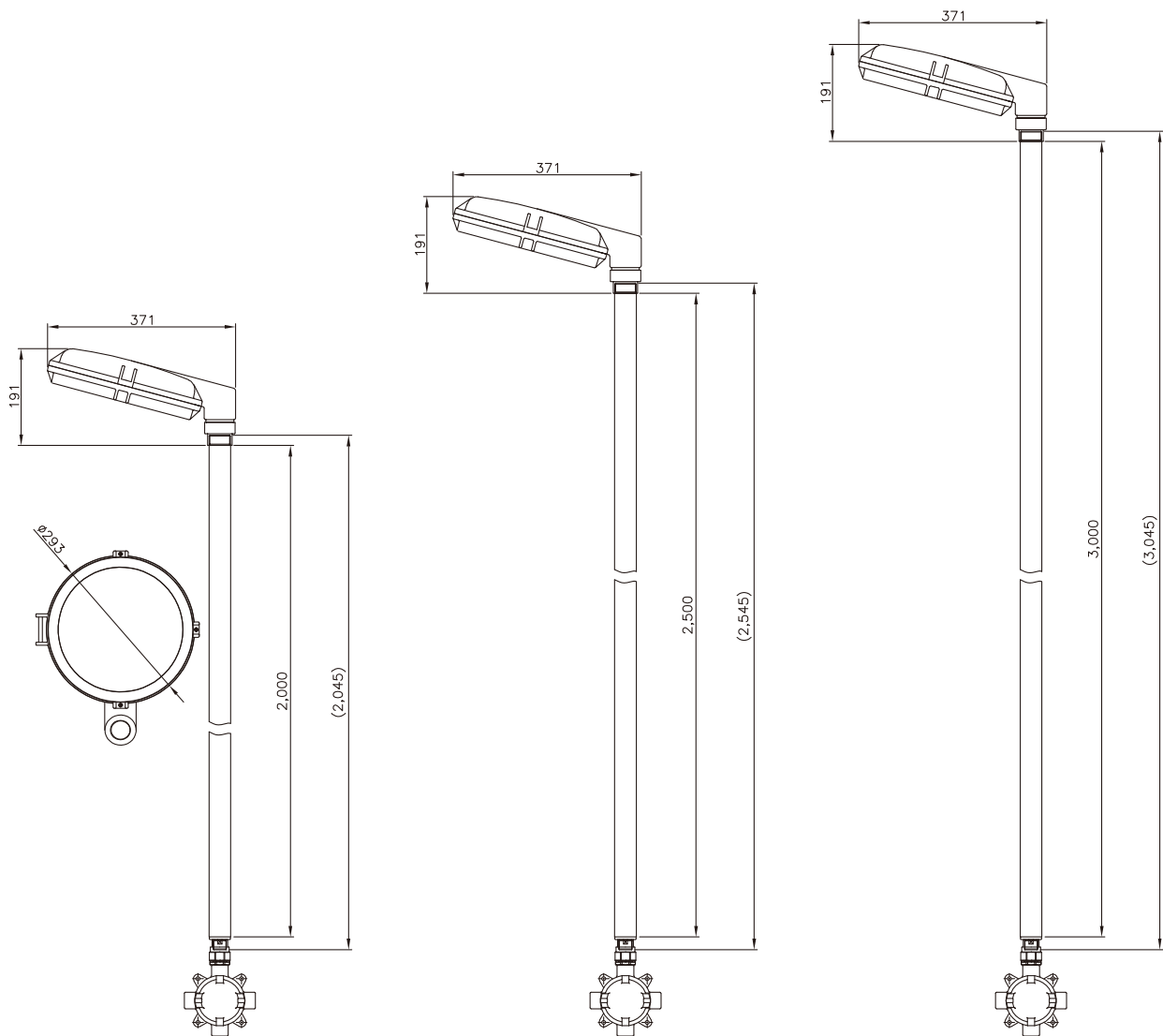


CERTIFICATION





Ex nR II T6 IP66 (Ex nR II T6 Gc IP66)



20° Stanchion type

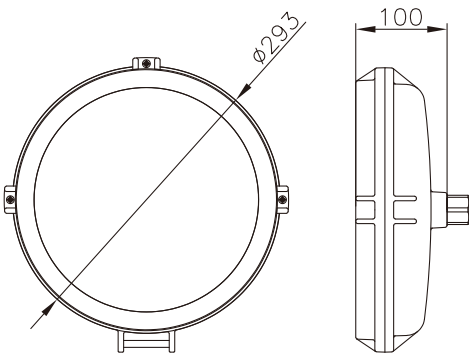
Non-Sparking LED Lighting Fixture [Ex nR]



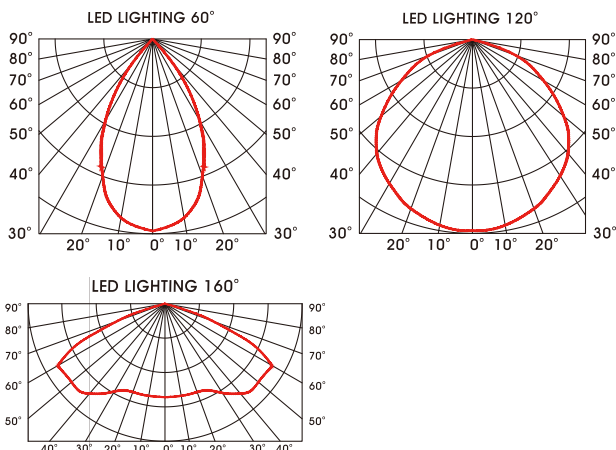
LED 비점화 방폭등기구 <HEAD ONLY>

- Top rate energy saving
- Excellent Luminous efficiency
- Consistent color rendering
- Light Weight
- Effortless installation
- Quality Waterproof part

Ex nR II T5 IP66 (Ex nR II T5 Gc IP66)



LIGHT DISTRIBUTION CURVE



PRODUCT CONTENTS

Model No.	nR-L60-120-H-***			
Power	30 W (01)	35 W (02)	45 W (03)	60 W (04)
Replaced	MH 80~175 W	MH 80~175 W	MH 80~175 W	MH 175~250 W
Certificate				
Luminous Efficiency	180 lm/W ±10 %	180 lm/W ±10 %	180 lm/W ±10 %	180 lm/W ±10 %
Total luminous flux	5 400 lm ±10 %	6 300 lm ±10 %	8 100 lm ±10 %	10 800 lm ±10 %
Weight (Head)	5 kg ±10 %	5 kg ±10 %	5 kg ±10 %	5 kg ±10 %

Electrical Characteristics	
Type	Built-in SMPS
Protection	Ex nR II T5 IP66 For Zone2(Head Only)
Ambient temp	-20 °C ~ + 40 °C
Beam angle	60 ° / 120 ° / 160 °
Warranty	3 Years
Rated voltage	AC 100 ~ 240 V
Frequency	50 Hz / 60 Hz
Power factor	Min 90%
CCT	5 000 ± 283 K
CRI	80 ± 5 %

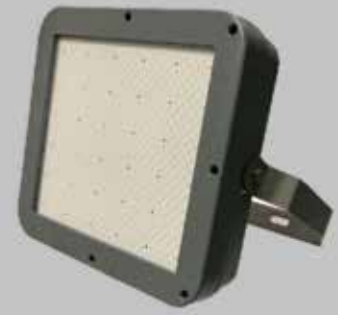
Material Characteristics	
Enclosure	Die Cast Aluminum Alloy
Front cover	Tempered Glass
ACC	SUS

CERTIFICATION



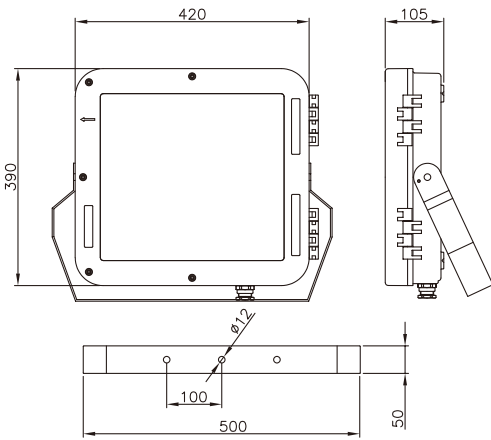
Non-Sparking LED Lighting Fixture [Ex nA]

- Top rate energy saving
- Excellent Luminous efficiency
- Consistent color rendering
- Light Weight
- Effortless installation
- Quality Waterproof part

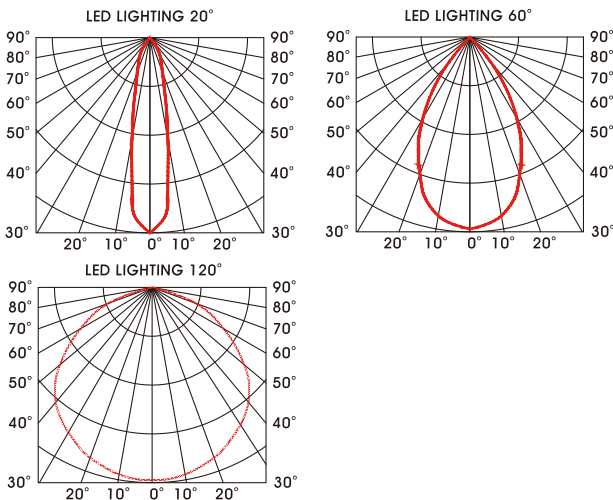


LED 비점화 방폭 투광등기구

Ex nA II T5 IP66 (Ex nA II T5 Gc IP66)



LIGHT DISTRIBUTION CURVE



PRODUCT CONTENTS

Model No.	nA-L***
Power	120 W (MAX)
Replaced	MH 80~500 W
Certificate	
Luminous Efficiency	180 lm/W ±10 %
Total luminous flux	21 600 lm ±10 %
Weight (Head)	9,5 kg ±10 %

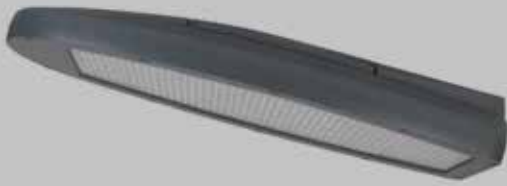
Electrical Characteristics	
Type	Built-in SMPS
Protection	Ex nA II T5 IP66 For Zone2
Ambient temp	-20 °C ~ + 40 °C
Beam angle	20 ° / 60 ° / 120 °
Warranty	3 Years
Rated voltage	AC 100 ~ 240 V
Frequency	50 Hz / 60 Hz
Power factor	Min 90%
CCT	5 000 ± 283 K
CRI	80 ± 5 %

Material Characteristics	
Enclosure	Die Cast Aluminum Alloy
Front cover	Tempered Glass
ACC	SUS

CERTIFICATION



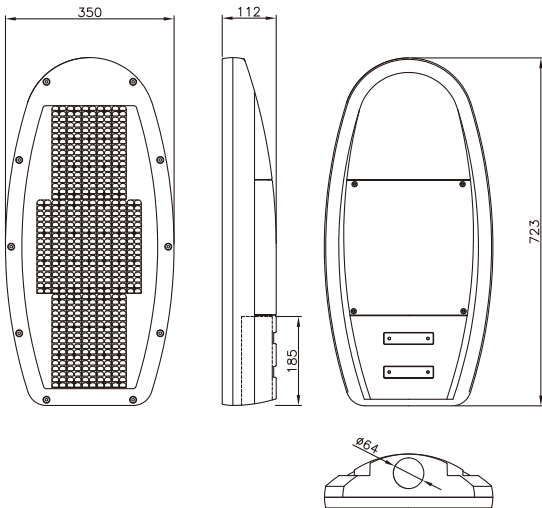
Non-Sparking LED Lighting Fixture [Ex nA]






LED 비점화 방폭 가로등기구

- Top rate energy saving
- Excellent Luminous efficiency
- Consistent color rendering
- Light Weight
- Effortless installation
- Quality Waterproof part

Ex nA II T5 (Ex nA II Gc T5)



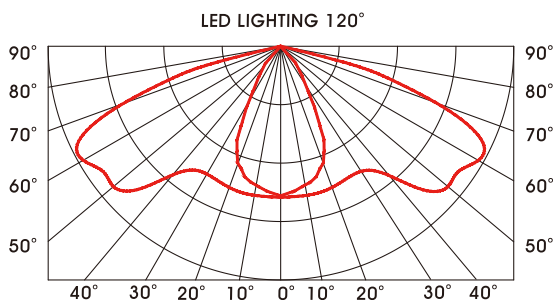
PRODUCT CONTENTS

Model No.	DIA RDZ2D-***		
Power	70 W	100 W	150 W
Replaced	MH 80~150 W	MH 200~300 W	MH 300~400 W
Certificate	 방폭안전인증 In Progress	 방폭안전인증 In Progress	 방폭안전인증 In Progress
Luminous Efficiency	180 lm/W±10 %	180 lm/W±10 %	180 lm/W±10 %
Total luminous flux	12 600 lm ±10 %	18 000 lm ±10 %	27 000 lm ±10 %
Weight (Head)	10 kg ±10 %	10 kg ±10 %	10 kg ±10 %

Electrical Characteristics	
Type	Built-in SMPS
Protection	Ex nA II T5
Ambient temp	-20 °C ~ + 40 °C
Arm hole size	Ø64
Warranty	3 Years
Rated voltage	AC 100 ~ 240 V
Frequency	50 Hz / 60 Hz
Power factor	Min 90%
CCT	5 000 ± 283 K
CRI	80 ± 5 %

Material Characteristics	
Enclosure	Die Cast Aluminum Alloy
Front cover	Tempered Glass
ACC	SUS

LIGHT DISTRIBUTION CURVE



CERTIFICATION



A nighttime photograph of a city skyline. On the left, a tall, slender skyscraper is covered in a dense grid of blue LED lights. To its right, another skyscraper is lit with blue light, and further right, a taller building is lit with warm white lights. In the foreground, a paved plaza is visible with a group of people gathered under a modern, illuminated canopy structure. A street lamp with a large, glowing white globe is positioned in the lower right foreground. The sky is dark, and the overall scene is illuminated by the city lights.

DUST PROOF LED LIGHTING FIXTURE

LED 분진 방폭등기구



LED 분진 방폭등기구

Dust Proof LED Lighting Fixture

[Ex tD]

- Top rate energy saving
- Excellent Luminous efficiency
- Consistent color rendering
- Light Weight
- Effortless installation
- Quality Waterproof part

Ex tD A21 T100°C IP66 (Ex tb IIIC T100°C Db IP66)



PRODUCT CONTENTS

Model No.	nR-tD A21-L**		
Power	30 W	60 W	80 W
Replaced	MH 80~175 W	MH 175~250 W	MH 300~400 W
Certificate			
Luminous Efficiency	180 lm/W ±10 %	180 lm/W ±10 %	180 lm/W ±10 %
Total luminous flux	5 400 lm ±10 %	10 800 lm ±10 %	14 400 lm ±10 %
Weight (Head)	5 kg ±10 %	5 kg ±10 %	5 kg ±10 %

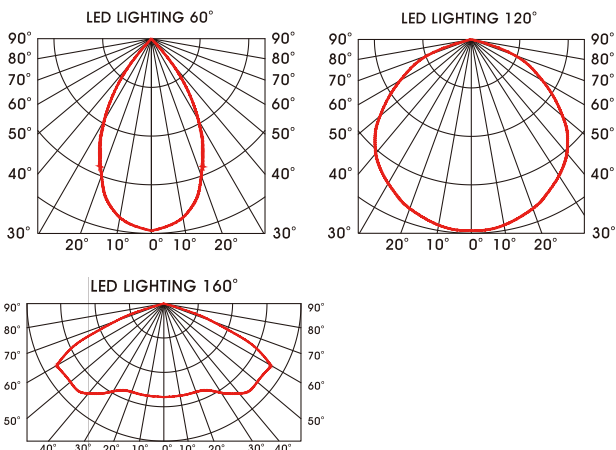
Electrical Characteristics

Type	Built-in SMPS
Protection	Ex tD A21 T100°C IP66 For Zone21
Ambient temp	-20 °C ~ + 40 °C
Beam angle	60 ° / 120 ° / 160 °
Warranty	3 Years
Rated voltage	AC 100 ~ 240 V
Frequency	50 Hz / 60 Hz
Power factor	Min 90%
CCT	5 000 ± 283 K
CRI	80 ± 5 %

Material Characteristics

Enclosure	Die Cast Aluminum Alloy
Front cover	Tempered Glass
ACC	SUS

LIGHT DISTRIBUTION CURVE

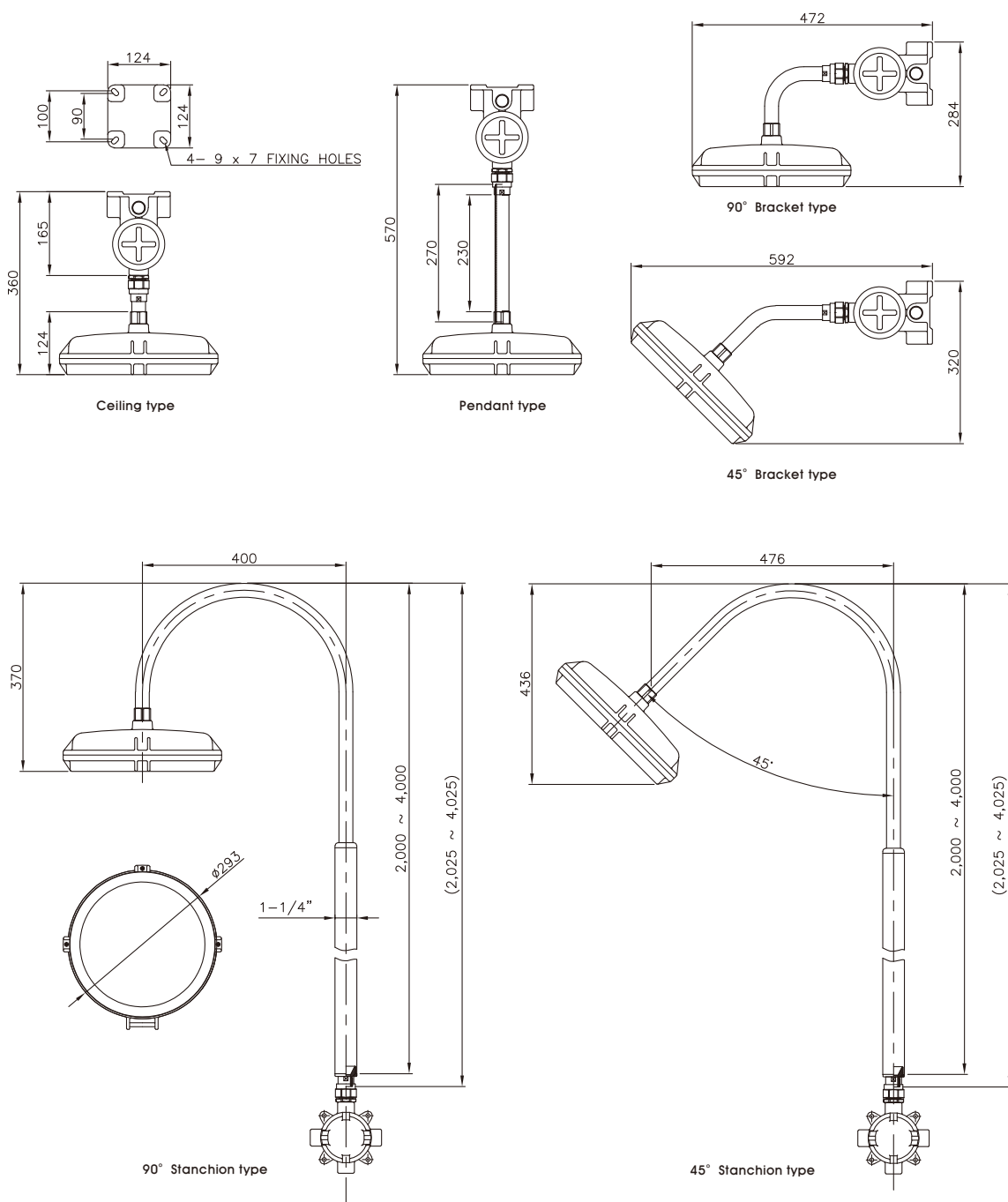


CERTIFICATION





Ex tD A21 T100°C IP66 (Ex tb IIIC T100°C Db IP66)





Dust Proof LED Lighting Fixture

[Ex tD]




- Top rate energy saving
- Excellent Luminous efficiency
- Consistent color rendering
- Light Weight
- Effortless installation
- Quality Waterproof part

LED 분진 방폭등기구 <POLE STANCHION TYPE>

Ex tD A21 T100°C IP66 (Ex tb IIIC T100°C Db IP66)



PRODUCT CONTENTS

Model No.	nR-tD A21-L**P		
Power	30 W	60 W	80 W
Replaced	MH 80~175 W	MH 175~250 W	MH 300~400 W
Certificate			
Luminous Efficiency	180 lm/W ±10 %	180 lm/W ±10 %	180 lm/W ±10 %
Total luminous flux	5 400 lm ±10 %	10 800 lm ±10 %	14 400 lm ±10 %
Weight (Head)	5 kg ±10 %	5 kg ±10 %	5 kg ±10 %

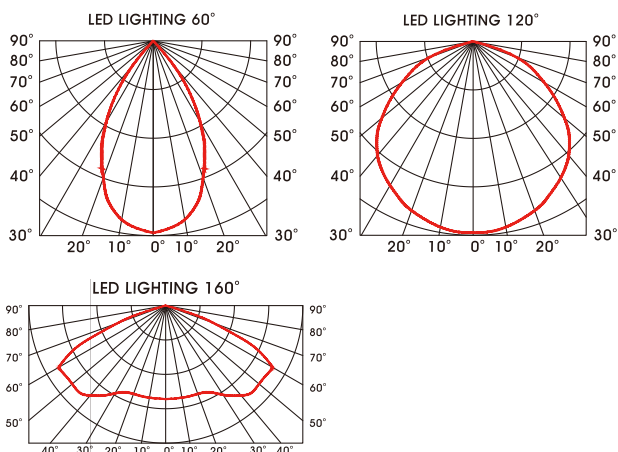
Electrical Characteristics

Type	Built-in SMPS
Protection	Ex tD A21 T100°C IP66 For Zone21
Ambient temp	-20 °C ~ + 40 °C
Beam angle	60 ° / 120 ° / 160 °
Warranty	3 Years
Rated voltage	AC 100 ~ 240 V
Frequency	50 Hz / 60 Hz
Power factor	Min 90%
CCT	5 000 ± 283 K
CRI	80 ± 5 %

Material Characteristics

Enclosure	Die Cast Aluminum Alloy
Front cover	Tempered Glass
ACC	SUS

LIGHT DISTRIBUTION CURVE

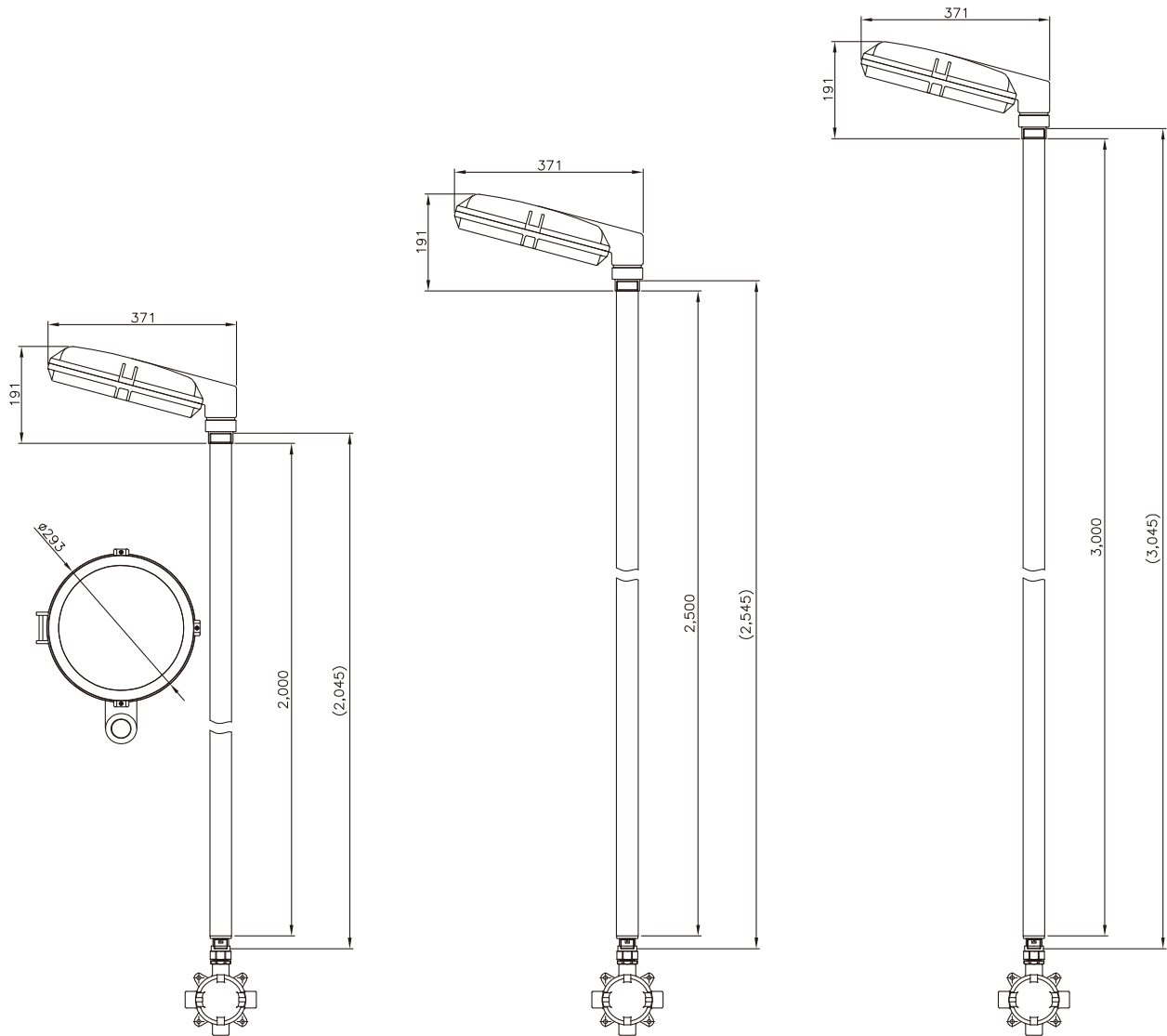


CERTIFICATION





Ex tD A21 T100°C IP66 (Ex tb IIIC T100°C Db IP66)



20° Stanchion type



LED 분진 방폭등기구

Dust Proof LED Lighting Fixture



[Ex tD]

- Top rate energy saving
- Excellent Luminous efficiency
- Consistent color rendering
- Light Weight
- Effortless installation
- Quality Waterproof part

Ex tD A21 T88°C IP66 (Ex tb IIIC T88°C Db IP66)



PRODUCT CONTENTS

Model No.	AUS-P1-L-*** (E)	
Power	200 W	250 W
Replaced	MH 700~800 W	MH 800~1000 W
Certificate		
Luminous Efficiency	180 lm/W ± 10 %	180 lm/W ± 10 %
Total luminous flux	36 000 lm ± 10 %	45 000 lm ± 10 %
Weight (Head)	10.5 kg ± 10 %	10.5 kg ± 10 %

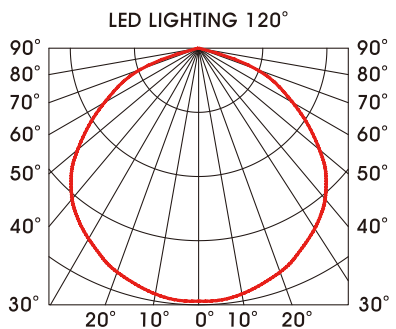
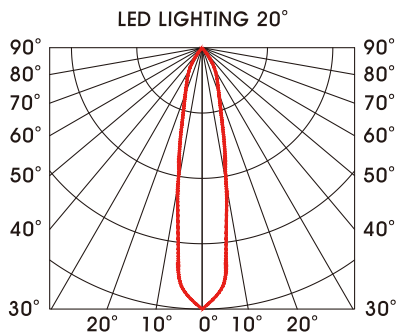
Electrical Characteristics

Type	External SMPS
Protection	Ex tD A21 T88°C IP66 For Zone21
Ambient temp	-20 °C ~ + 40 °C
Beam angle	20 ° / 120 °
Warranty	3 Years
Rated voltage	AC 100 ~ 240 V
Frequency	50 Hz / 60 Hz
Power factor	Min 90%
CCT	5 000 ± 283 K
CRI	80 ± 5 %

Material Characteristics

Enclosure	Cast Aluminum Alloy
Front cover	Tempered Glass
ACC	SUS

LIGHT DISTRIBUTION CURVE

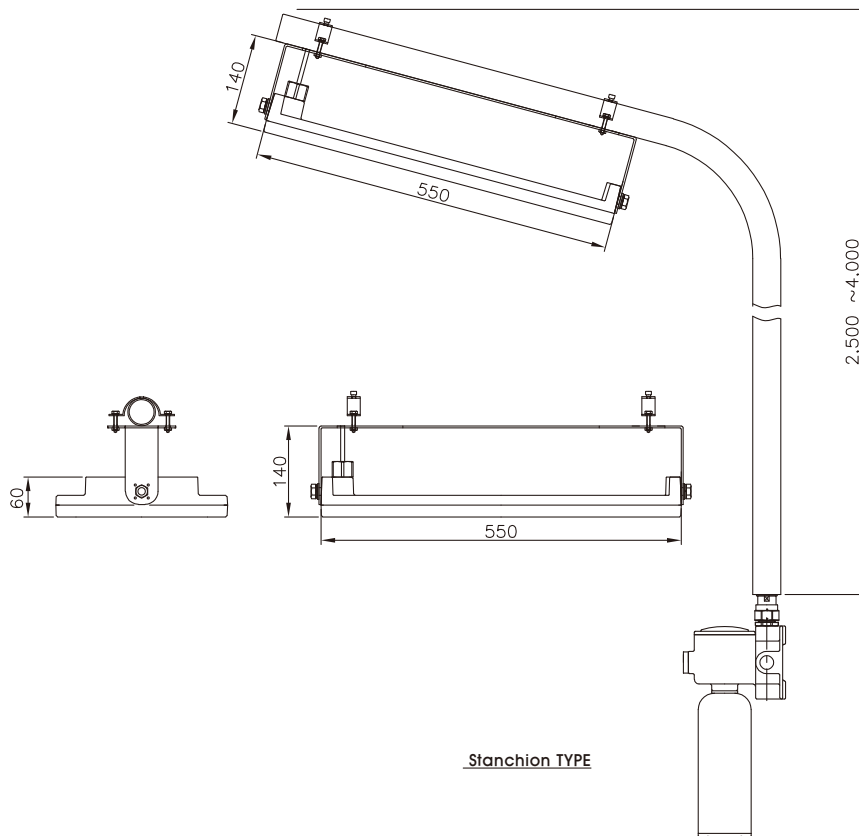
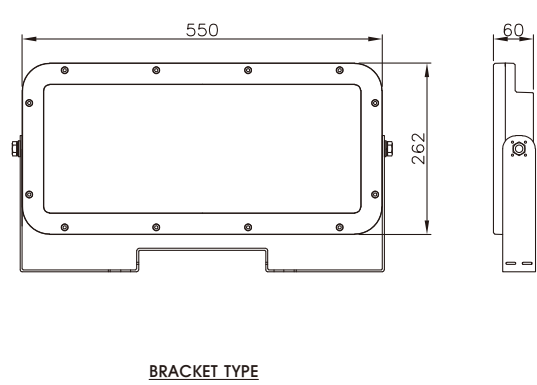
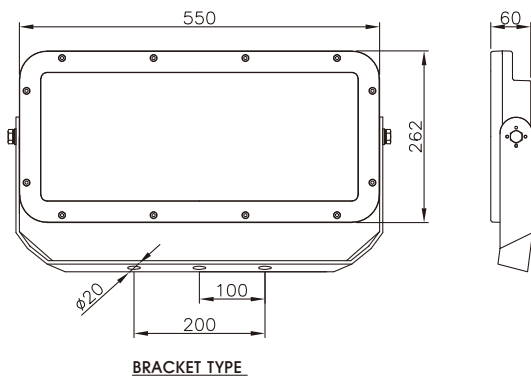


CERTIFICATION





Ex tD A21 T88°C IP66 (Ex tb IIIC T88°C Db IP66)





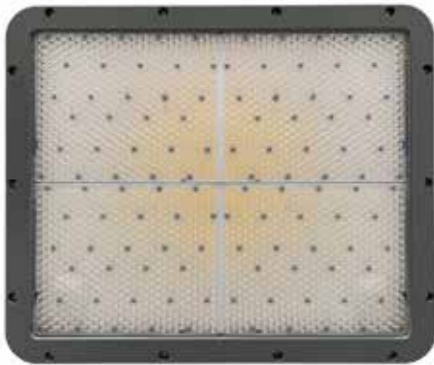
LED 분진 방폭등기구

Dust Proof LED Lighting Fixture


[Ex tD]

- Top rate energy saving
- Excellent Luminous efficiency
- Consistent color rendering
- Light Weight
- Effortless installation
- Quality Waterproof part

Ex tD A21 T100°C IP66 (Ex tb IIIC T100°C Db IP66)



PRODUCT CONTENTS

Model No.	AUS-P2-L-***(E)
Power	500 W
Replaced	MH 1600~2000 W
Certificate	 In Progress
Luminous Efficiency	180 lm/W ± 10 %
Total luminous flux	90 000 lm ± 10 %
Weight (Head)	17 kg ± 10 %

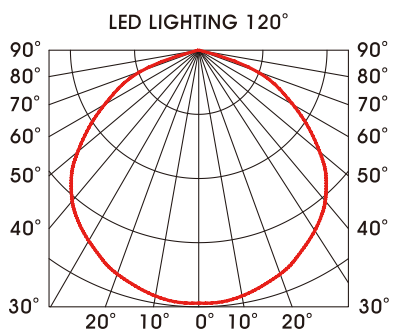
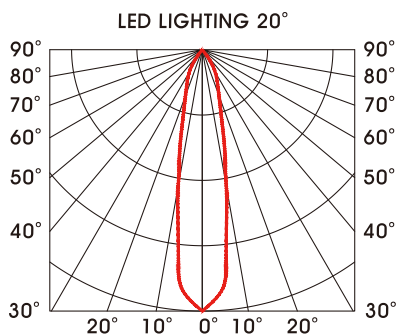
Electrical Characteristics

Type	External SMPS
Protection	Ex tD A21 T100°C IP66 For Zone21
Ambient temp	-20 °C ~ + 40 °C
Beam angle	20 ° / 120 °
Warranty	3 Years
Rated voltage	AC 100 ~ 240 V
Frequency	50 Hz / 60 Hz
Power factor	Min 90%
CCT	5 000 ± 283 K
CRI	80 ± 5 %

Material Characteristics

Enclosure	Cast Aluminum Alloy
Front cover	Tempered Glass
ACC	SUS

LIGHT DISTRIBUTION CURVE

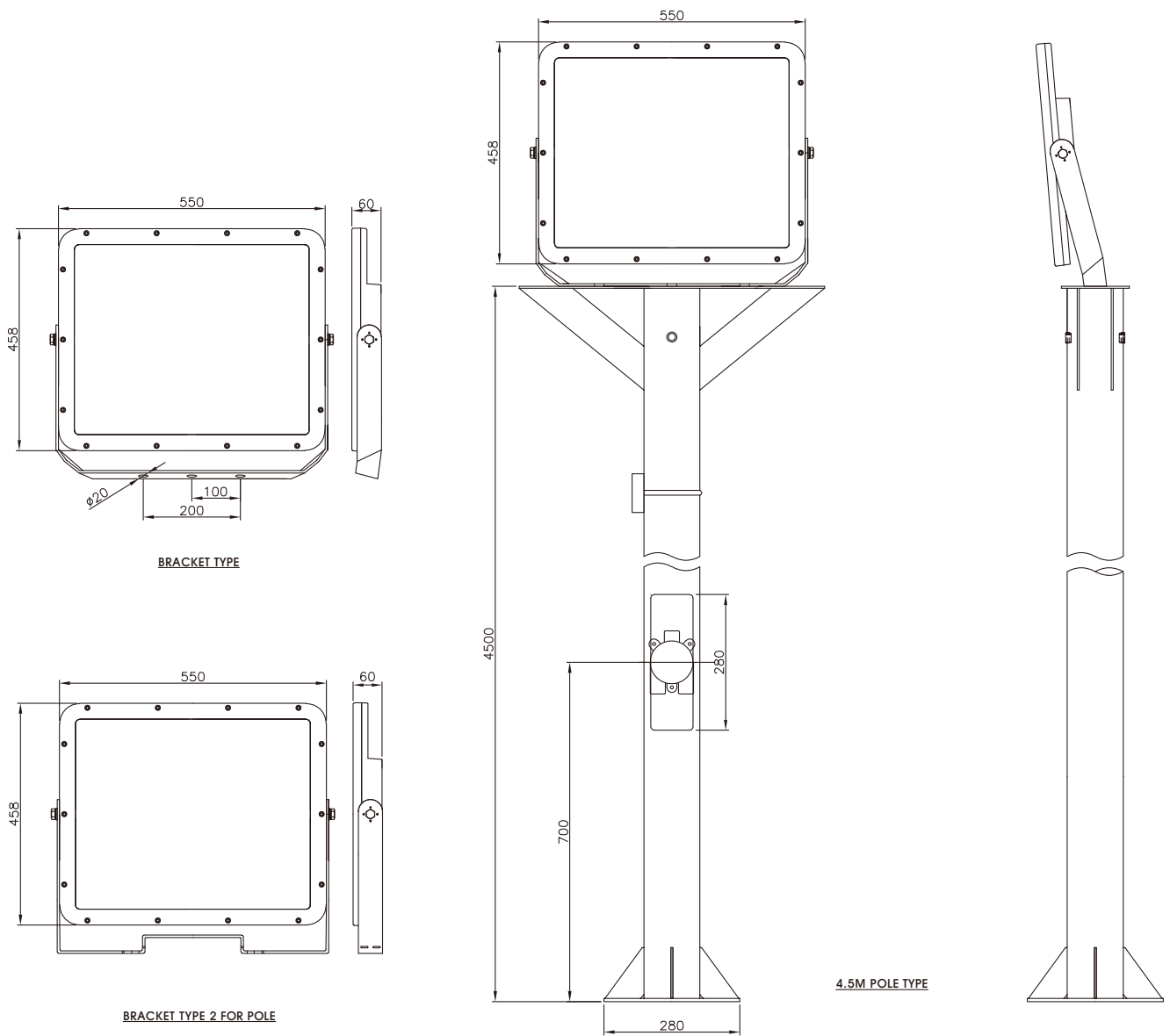


CERTIFICATION





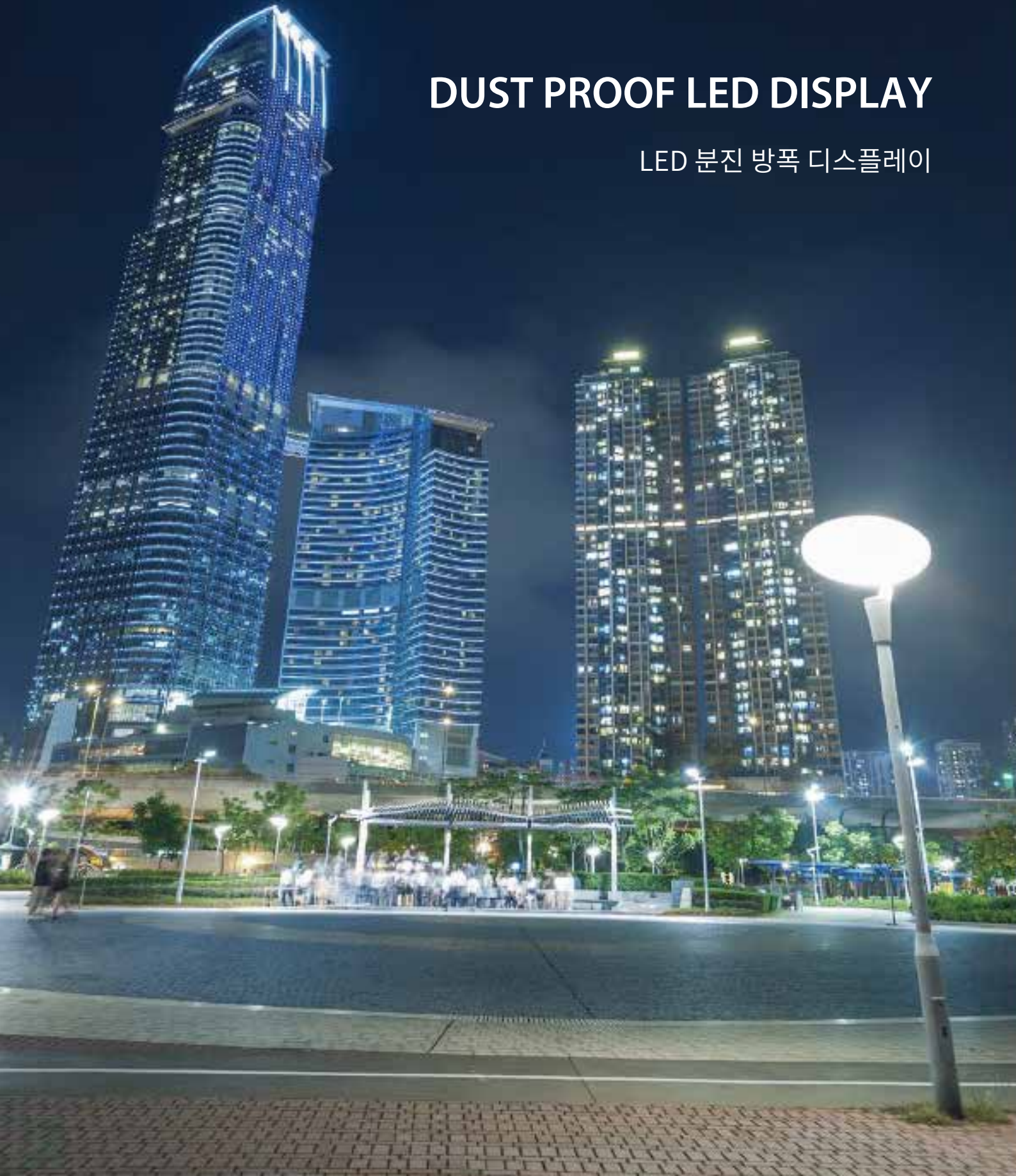
Ex tD A21 T100°C IP66 (Ex tb IIIC T100°C Db IP66)





DUST PROOF LED DISPLAY

LED 분진 방폭 디스플레이





LED 분진 방폭 전광판 등


Dust Proof LED Display [Ex tD]

Light Weight
Effortless installation
Quality Waterproof part

Ex tD A21 T100°C IP66 (Ex tb IIIC T100°C Db IP66)



PRODUCT CONTENTS

Model No.	SMD1Z2D-*****
Power	120W (max)
Certificate	
Weight (Head)	9.8 kg ±10 %

Electrical Characteristics	
Type	Built in SMPS or External SMPS
Protection	Ex tD A21 T100°C IP66 For Zone21
Ambient temp	-20 °C ~ + 40 °C
Display Color	Full color (RGB)
Warranty	3 Years
Rated voltage	AC 220 ~ 240 V
Frequency	50 Hz / 60 Hz
Power factor	Min 90%

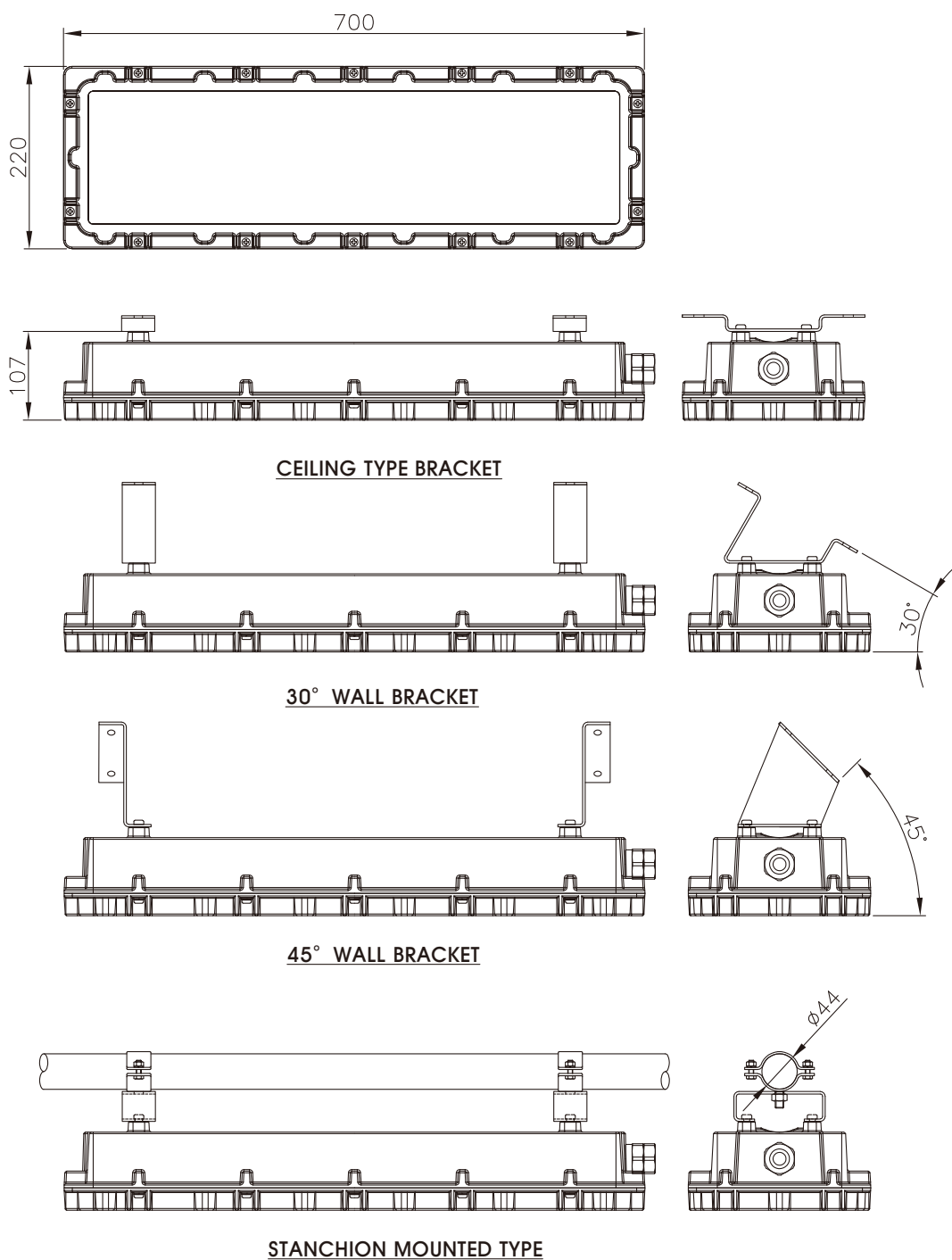
Material Characteristics	
Enclosure	Cast Aluminum Alloy
Enclosure Color	Power coated (Black or Gary)
Front cover	Tempered Glass
ACC	SUS

CERTIFICATION





Ex tD A21 T100°C IP66 (Ex tb IIIC T100°C Db IP66)





LED 분진 방폭 안내표시등


Dust Proof LED Display [Ex tD]

Light Weight
Effortless installation
Quality Waterproof part

Ex tD A21 T100°C IP66 (Ex tb IIIC T100°C Db IP66)



PRODUCT CONTENTS

Model No.	nR-tD A21-L***		
Power	15 W	30 W	50 W
Certificate			
Weight (Head)	4.1 kg ±10 %	4.1 kg ±10 %	4.1 kg ±10 %

Electrical Characteristics

Type	Built in SMPS
Protection	Ex tD A21 T100°C IP66 For Zone21
Ambient temp	-20 °C ~ + 40 °C
Display Color	Full Color (RBG)
Warranty	3 Years
Rated voltage	AC 220 ~ 240 V
Frequency	50 Hz / 60 Hz
Power factor	Min 90%

Material Characteristics

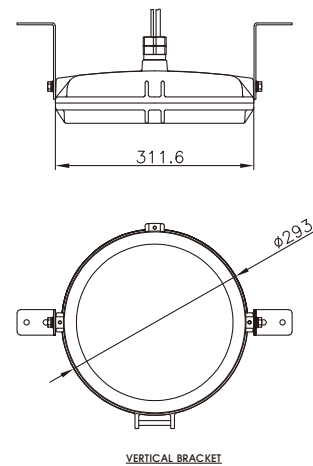
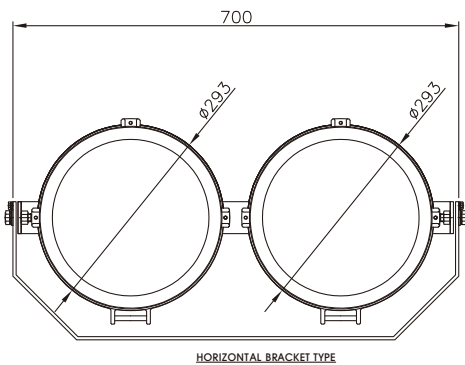
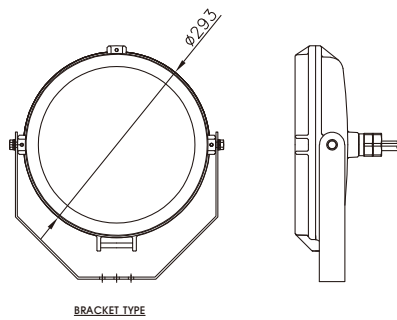
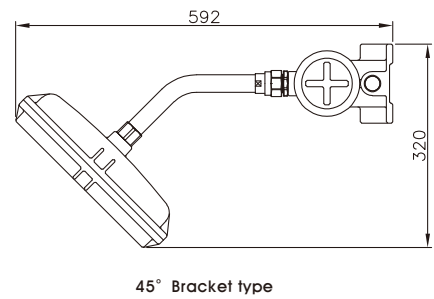
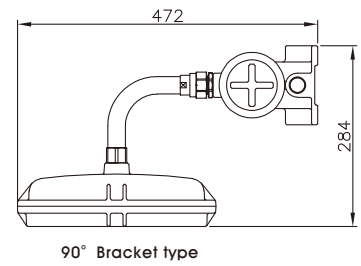
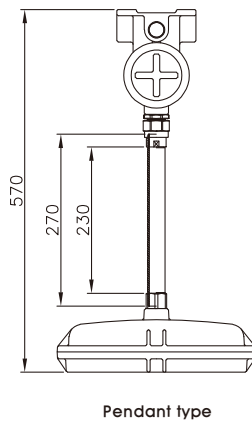
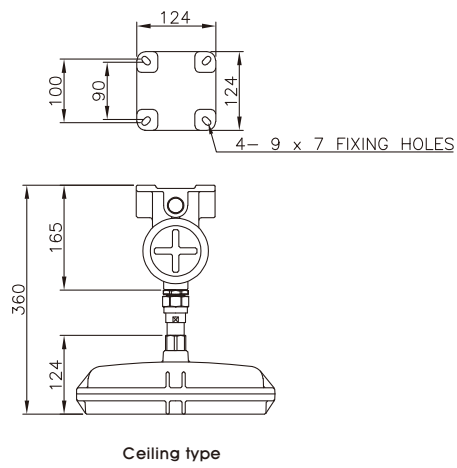
Enclosure	Die Cast Aluminum Alloy
Enclosure Color	Coating (Gray)
Front cover	Tempered Glass
ACC	SUS

CERTIFICATION





Ex tD A21 T100°C IP66 (Ex tb IIIC T100°C Db IP66)





A nighttime photograph of a city skyline. On the left, a tall, curved skyscraper is covered in a dense grid of blue LED lights. In the center, another curved building is lit with blue light. To the right, a taller, more rectangular skyscraper is lit with warm white lights. In the foreground, a paved plaza is visible with a group of people gathered under a modern, illuminated canopy structure. A street lamp with a large, glowing white globe is positioned on the right side of the frame. The sky is dark, and the overall scene is illuminated by the city lights.

**NON-SPARKING /
DUST PROOF LED LIGHTING FIXTURE**

LED 비점화 / 분진 방폭등기구



LED 비점화 / 분진 방폭등기구

Non-Sparking / Dust Proof LED Lighting Fixture [Ex nR / tD]

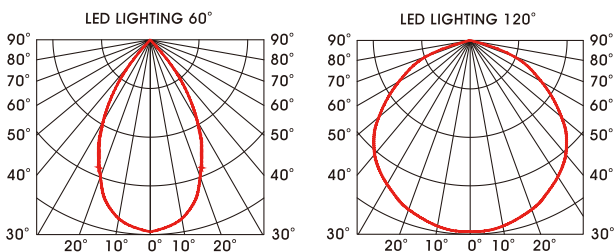
- Top rate energy saving
- Excellent Luminous efficiency
- Consistent color rendering
- Light Weight
- Effortless installation
- Quality Waterproof part

Ex nR II T4 IP66 / Ex tD A21 T100°C * < T135°C > IP66

(Ex nR IIC T5 Gc IP66 / Ex tb IIC T100°C * < T135°C > Db IP66)



LIGHT DISTRIBUTION CURVE



PRODUCT CONTENTS

Model No.	LUNA L1Z2D-*****		
Power	100 W	150 W	*200 W
Replaced	MH 400~500 W	MH 500~600 W	MH 700~800 W
Certificate			
Luminous Efficiency	180 lm/W ±10 %	180 lm/W ±10 %	180 lm/W ±10 %
Total luminous flux	18 000 lm ±10 %	27 000 lm ±10 %	36 000 lm ±10 %
Weight (Head)	2.3 kg ±10 %	2.3 kg ±10 %	2.3 kg ±10 %

Electrical Characteristics	
Type	External SMPS
Protection	Ex nR II T4 IP66 For Zone2 Ex tD A21 T100°C * < T135°C > IP66 For Zone21
Ambient temp	-20 °C ~ + 40 °C
Beam angle	60 ° / 120 °
Warranty	3 Years
Rated voltage	AC 100 ~ 240 V
Frequency	50 Hz / 60 Hz
Power factor	Min 90%
CCT	5 000 ± 283 K
CRI	80 ± 5 %

Material Characteristics	
Enclosure	Die Cast Aluminum Alloy
Front cover	Tempered Glass
ACC	SUS

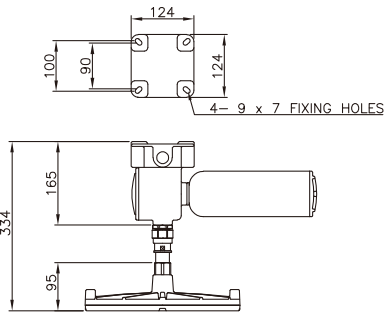
CERTIFICATION



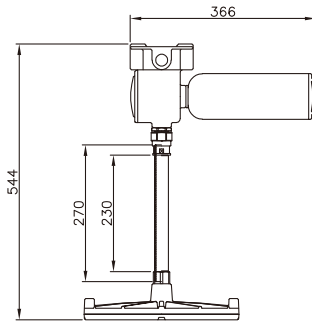


Ex nR II T4 IP66 / Ex tD A21 T100°C * < T135°C > IP66

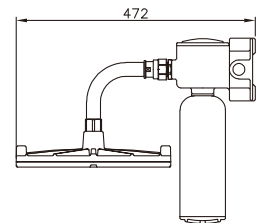
(Ex nR IIC T5 Gc IP66 / Ex tb IIC T100°C * < T135°C > Db IP66)



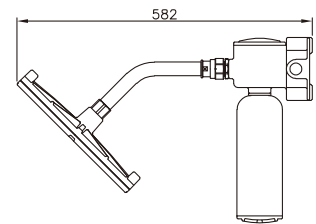
Ceiling type



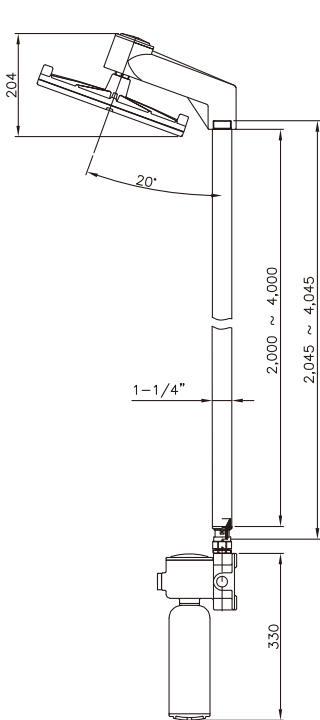
Pendant type



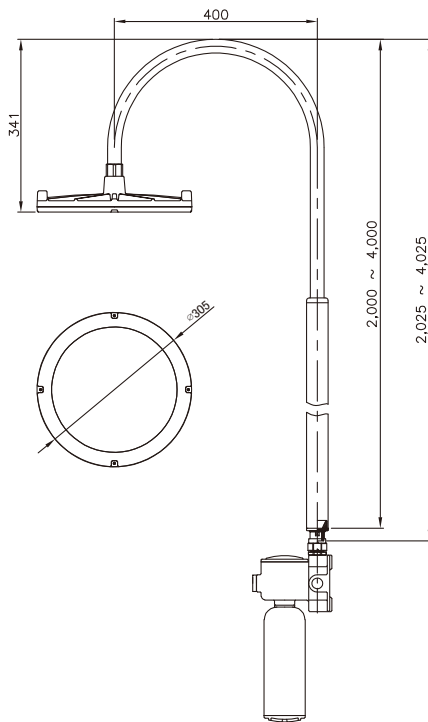
90° Bracket type



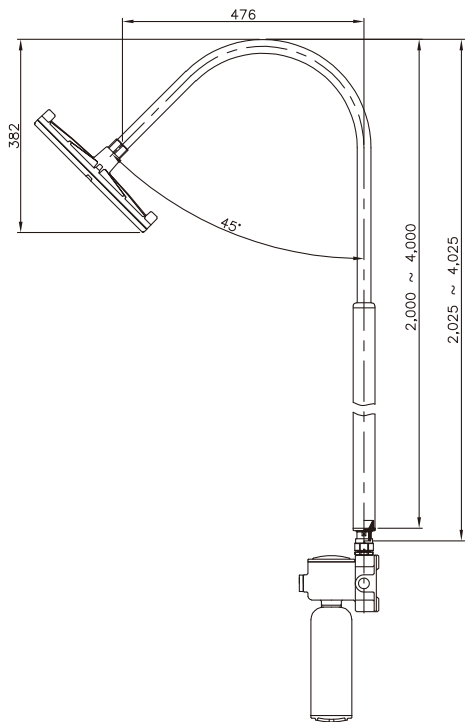
45° Bracket type



20° Stanchion type



90° Stanchion type



45° Stanchion type



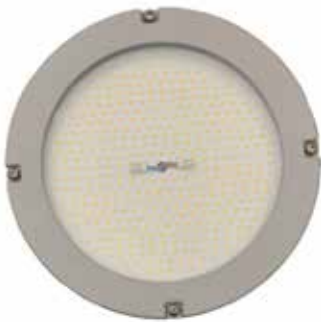
LED 비점화 / 분진 방폭등기구

Non-Sparking / Dust Proof LED Lighting Fixture [Ex nR / tD]



Top rate energy saving
Excellent Luminous efficiency
Consistent color rendering
Light Weight
Effortless installation
Quality Waterproof part

Ex nR II T5 IP66 / Ex tD A21 T100°C IP66

(Ex nR IIC T5 Gc IP66 / Ex tb IIIC T100°C Db IP66)



PRODUCT CONTENTS

Model No.	LUNA L2Z2D-*****		
Power	30 W	45 W	60 W
Replaced	MH 80~175 W	MH 80~175 W	MH 175~250 W
Certificate			
Luminous Efficiency	180 lm/W ±10 %	180 lm/W ±10 %	180 lm/W ±10 %
Total luminous flux	5 400 lm ±10 %	8 100 lm ±10 %	10 800 lm ±10 %
Weight (Head)	1.3 kg ±10 %	1.3 kg ±10 %	1.3 kg ±10 %

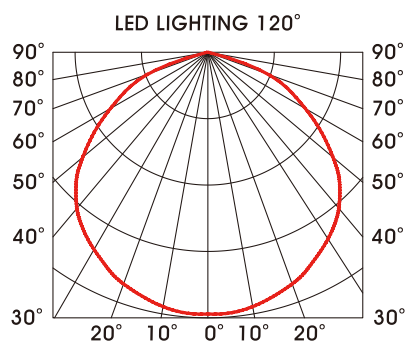
Electrical Characteristics

Type	External SMPS
Protection	Ex nR II T5 IP66 For Zone2 Ex tD A21 T100°C IP66 For Zone21
Ambient temp	-20 °C ~ + 40 °C
Beam angle	120 °
Warranty	3 Years
Rated voltage	AC 100 ~ 240 V
Frequency	50 Hz / 60 Hz
Power factor	Min 90%
CCT	5 000 ± 283 K
CRI	80 ± 5 %

Material Characteristics

Enclosure	Die Cast Aluminum Alloy
Front cover	Tempered Glass
ACC	SUS

LIGHT DISTRIBUTION CURVE



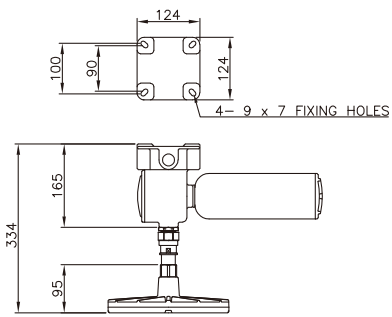
CERTIFICATION



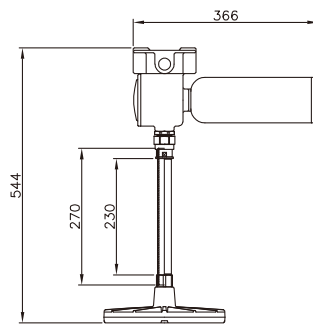


Ex nR II T5 IP66 / Ex tD A21 T100°C IP66

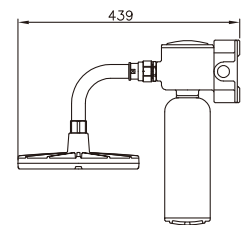
(Ex nR IIC T5 Gc IP66 / Ex tb IIIC T100°C Db IP66)



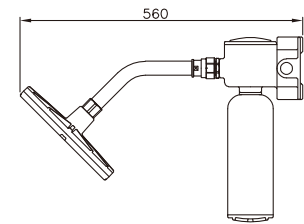
Ceiling type



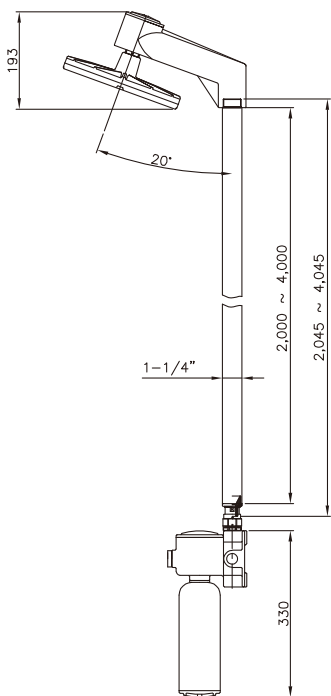
Pendant type



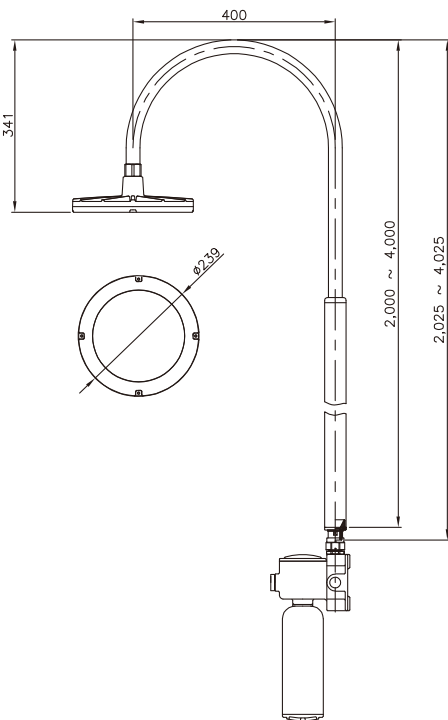
90° Bracket type



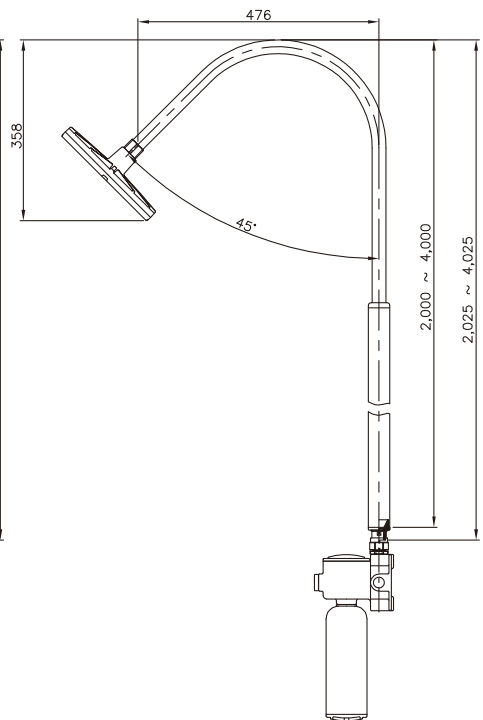
45° Bracket type



20° Stanchion type



90° Stanchion type



45° Stanchion type



Non-Sparking / Dust Proof LED Lighting Fixture [Ex nR / tD]

Top rate energy saving
Excellent Luminous efficiency
Consistent color rendering
Light Weight
Effortless installation
Quality Waterproof part

LED 비점화 / 분진 방폭등기구 <AC DIRECT TYPE>

Ex nR II T5 IP66 / Ex tD A21 T100°C IP66

(Ex nR IIC T5 Gc IP66 / Ex tb IIIC T100°C Db IP66)



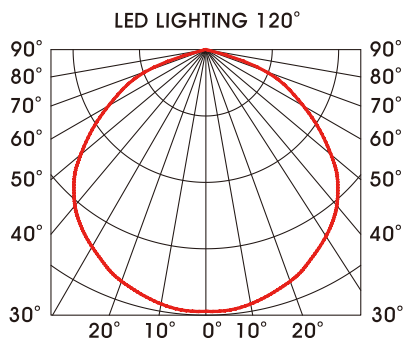
PRODUCT CONTENTS

Model No.	LUNA L1Z2DA-****		
Power	80 W	100 W	120 W
Replaced	MH 300~400 W	MH 400~500 W	MH 500~600 W
Certificate	KCS In Progress	KCS In Progress	KCS In Progress
Luminous Efficiency	180 lm/W ±10 %	180 lm/W ±10 %	180 lm/W ±10 %
Total luminous flux	14 400 lm ±10 %	18 000 lm ±10 %	21 600 lm ±10 %
Weight (Head)	2.3 kg ±10 %	2.3 kg ±10 %	2.3 kg ±10 %

Electrical Characteristics	
Type	AC Direct Driver
Protection	Ex nR II T5 IP66 For Zone2 Ex tD A21 T100°C IP66 For Zone21
Ambient temp	-20 °C ~ + 40 °C
Beam angle	120 °
Warranty	3 Years
Rated voltage	AC 100 ~ 240 V
Frequency	50 Hz / 60 Hz
Power factor	Min 90%
CCT	5 000 ± 283 K
CRI	80 ± 5 %

Material Characteristics	
Enclosure	Die Cast Aluminum Alloy
Front cover	Tempered Glass
ACC	SUS

LIGHT DISTRIBUTION CURVE



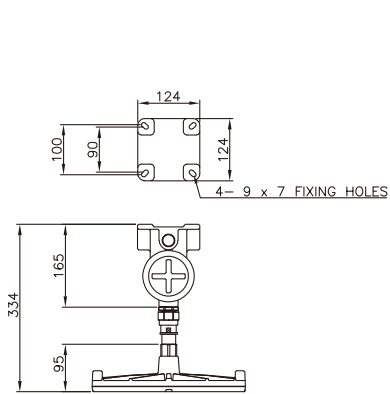
CERTIFICATION



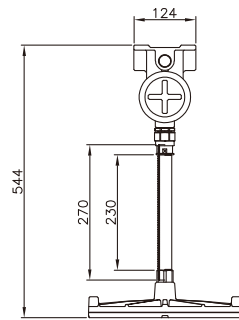


Ex nR II T5 IP66 / Ex tD A21 T100°C IP66

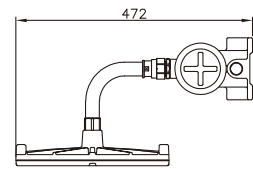
(Ex nR IIC T5 Gc IP66 / Ex tb IIIC T100°C Db IP66)



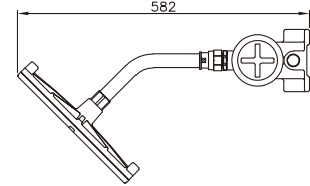
Ceiling type



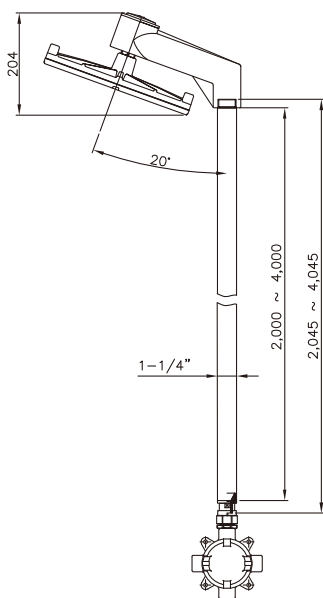
Pendant type



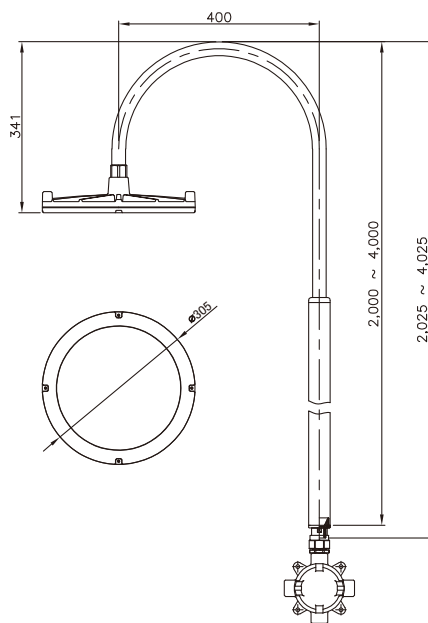
90° Bracket type



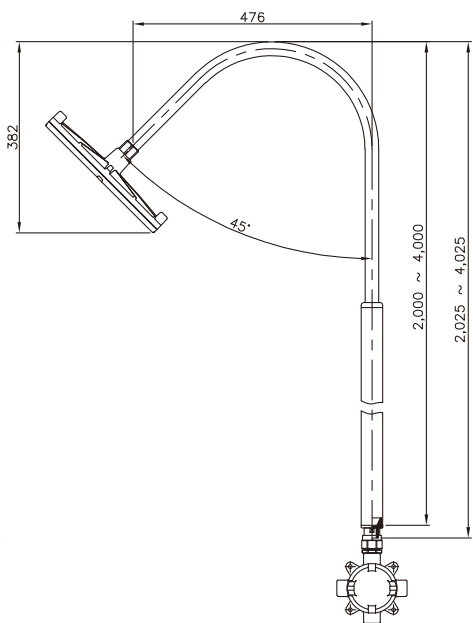
45° Bracket type



20° Stanchion type



90° Stanchion type



45° Stanchion type



Non-Sparking / Dust Proof LED Lighting Fixture [Ex nR / tD]

Top rate energy saving
Excellent Luminous efficiency
Consistent color rendering
Light Weight
Effortless installation
Quality Waterproof part

LED 비점화 / 분진 방폭등기구 <AC DIRECT TYPE>

Ex nR II T5 IP66 / Ex tD A21 T100°C IP66

(Ex nR IIC T5 Gc IP66 / Ex tb IIIC T100°C Db IP66)



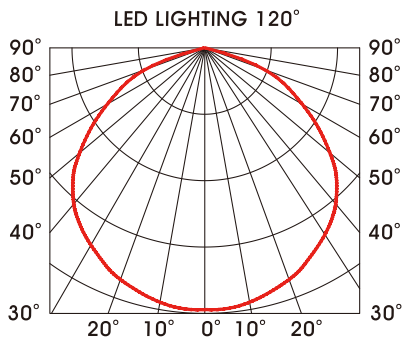
PRODUCT CONTENTS

Model No.	LUNA L2Z2DA_****		
Power	30 W	45 W	60 W
Replaced	MH 80~175 W	MH 80~175 W	MH 175~250 W
Certificate	KCS In Progress	KCS In Progress	KCS In Progress
Luminous Efficiency	180 lm/W ±10 %	180 lm/W ±10 %	180 lm/W ±10 %
Total luminous flux	5 400 lm ±10 %	8 100 lm ±10 %	10 800 lm ±10 %
Weight (Head)	1.3 kg ±10 %	1.3 kg ±10 %	1.3 kg ±10 %

Electrical Characteristics	
Type	AC Direct Driver
Protection	Ex nR II T5 IP66 For Zone2 Ex tD A21 T100°C IP66 For Zone21
Ambient temp	-20 °C ~ + 40 °C
Beam angle	120 °
Warranty	3 Years
Rated voltage	AC 100 ~ 240 V
Frequency	50 Hz / 60 Hz
Power factor	Min 90%
CCT	5 000 ± 283 K
CRI	80 ± 5 %

Material Characteristics	
Enclosure	Die Cast Aluminum Alloy
Front cover	Tempered Glass
ACC	SUS

LIGHT DISTRIBUTION CURVE



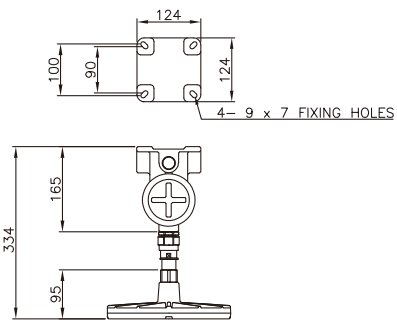
CERTIFICATION



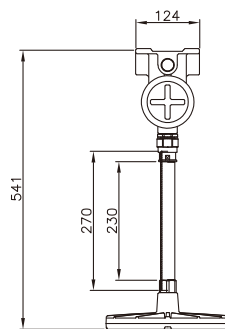


Ex nR II T5 IP66 / Ex tD A21 T100°C IP66

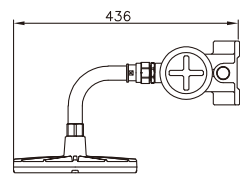
(Ex nR IIC T5 Gc IP66 / Ex tb IIIC T100°C Db IP66)



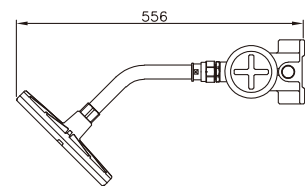
Ceiling type



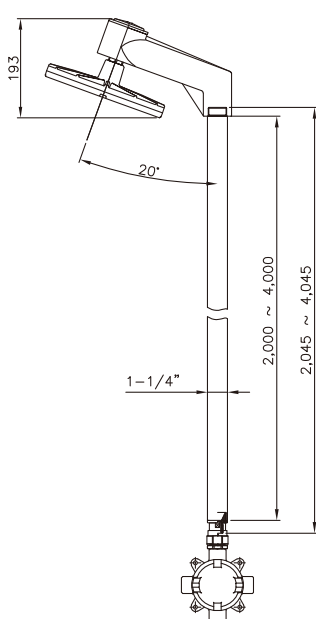
Pendant type



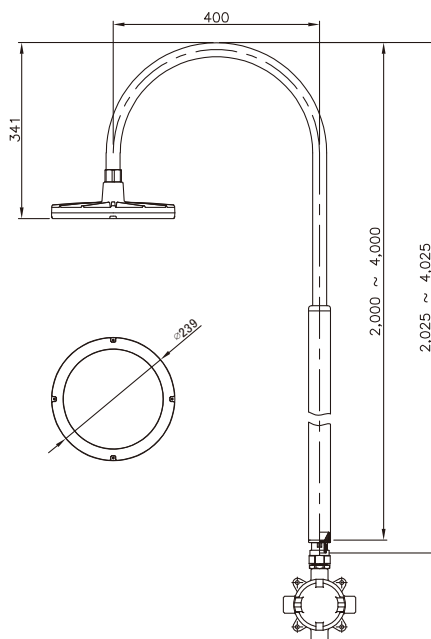
90° Bracket type



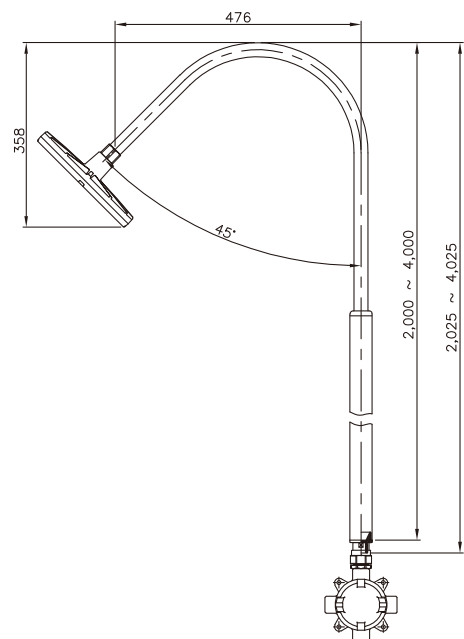
45° Bracket type



20° Stanchion type



90° Stanchion type



45° Stanchion type



LED 비점화 / 분진 방폭등기구

Non-Sparking / Dust Proof LED Lighting Fixture [Ex nR / tD]

Top rate energy saving
Excellent Luminous efficiency
Consistent color rendering
Light Weight
Effortless installation
Quality Waterproof part

Ex nR II T5 IP66 / Ex tD A21 T100°C IP66

(Ex nR IIC T5 Gc IP66 / Ex tb IIIC T100°C Db IP66)



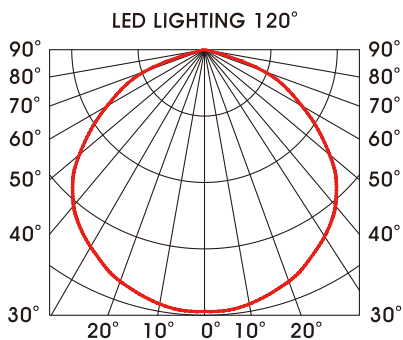
PRODUCT CONTENTS

Model No.	SMFZ2D-***		
Power	60 W	80 W	100 W
Replaced	MH 175~250 W	MH 300~400 W	MH 400~500 W
Certificate			
Luminous Efficiency	190 lm/W ±10 %	190 lm/W ±10 %	190 lm/W ±10 %
Total luminous flux	11 400 lm ±10 %	15 200 lm ±10 %	19 000 lm ±10 %
Weight (Head)	5.5 kg ±10 %	5.5 kg ±10 %	5.5 kg ±10 %

Electrical Characteristics	
Type	Built-in SMPS
Protection	Ex nR II T5 IP66 For Zone 2 Ex tD A21 T100°C IP66 For Zone21
Ambient temp	-20 °C ~ + 40 °C
Beam angle	120 °
Warranty	3 Years
Rated voltage	AC 100 ~ 240 V
Frequency	50 Hz / 60 Hz
Power factor	Min 90%
CCT	5 000 ± 283 K
CRI	80 ± 5 %

Material Characteristics	
Enclosure	Die Cast Aluminum Alloy
Front cover	Tempered Glass
ACC	SUS

LIGHT DISTRIBUTION CURVE



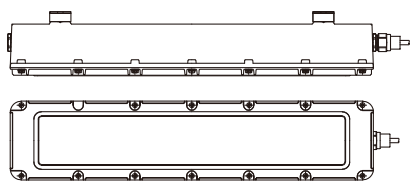
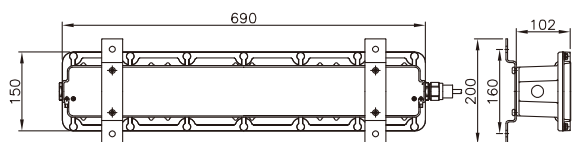
CERTIFICATION



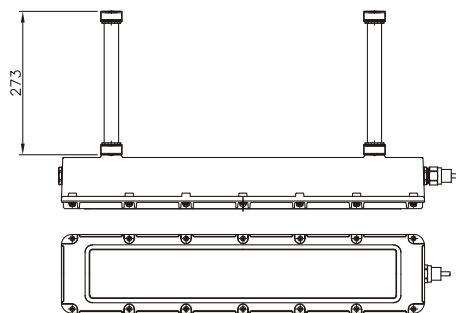


Ex nR II T5 IP66 / Ex tD A21 T100°C IP66

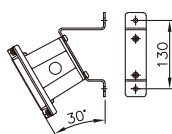
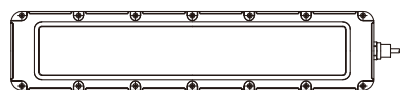
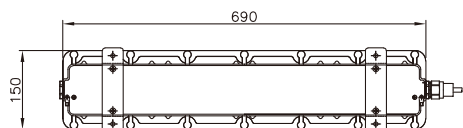
(Ex nR IIC T5 Gc IP66 / Ex tb IIIC T100°C Db IP66)



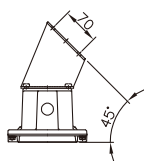
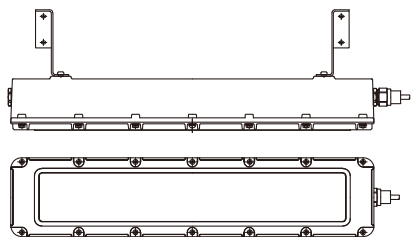
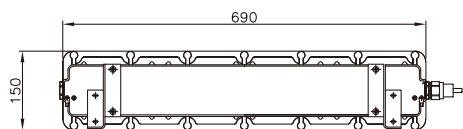
Ceiling type



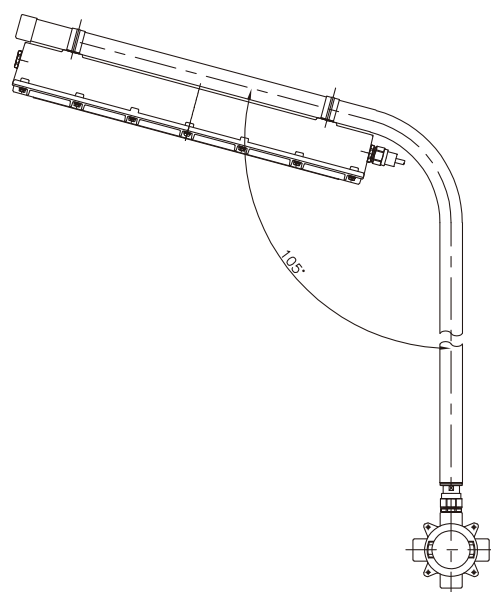
Pendant type



30° Bracket type



45° Bracket type



45° Stanchion type



A nighttime photograph of a city skyline. The most prominent feature is a tall, slender skyscraper on the left, covered in a dense grid of blue LED lights. To its right are two more skyscrapers, one with a curved facade and another with a more traditional rectangular shape, both also illuminated. In the foreground, a paved plaza is visible with a group of people gathered under a modern, illuminated canopy structure. A single street lamp with a large, glowing white globe stands in the lower right foreground. The sky is dark, and the overall scene is a vibrant display of urban lighting.

EXPLOSION PROOF LED LIGHTING FIXTURE

LED 내압 방폭등기구



LED 내압 방폭등기구

Explosion Proof LED Lighting Fixture [Ex d IIC]

- Top rate energy saving
- Excellent Luminous efficiency
- Consistent color rendering
- Light Weight
- Effortless installation
- Quality Waterproof part

Ex d IIC T6 IP66 (Ex db IIC T6 Gb IP66)



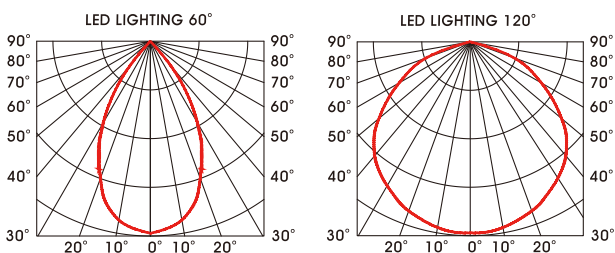
PRODUCT CONTENTS

Model No.	LUNA-Exd IIC-L100-***		
Power	60 W	80 W	100 W
Replaced	MH 175~250 W	MH 300~400 W	MH 400~500 W
Certificate			
Luminous Efficiency	180 lm/W ±10 %	180 lm/W ±10 %	180 lm/W ±10 %
Total luminous flux	10 800 lm ±10 %	14 400 lm ±10 %	18 000 lm ±10 %
Weight (Head)	4 kg ±10 %	4 kg ±10 %	4 kg ±10 %

Electrical Characteristics	
Type	External SMPS
Protection	Ex d IIC T6 IP66 For Zone1
Ambient temp	-20 °C ~ + 40 °C
Beam angle	60 ° / 120 °
Warranty	3 Years
Rated voltage	AC 100 ~ 240 V
Frequency	50 Hz / 60 Hz
Power factor	Min 90%
CCT	5 000 ± 283 K
CRI	80 ± 5 %

Material Characteristics	
Enclosure	Die Cast Aluminum Alloy
Front cover	Tempered Glass
ACC	SUS

LIGHT DISTRIBUTION CURVE

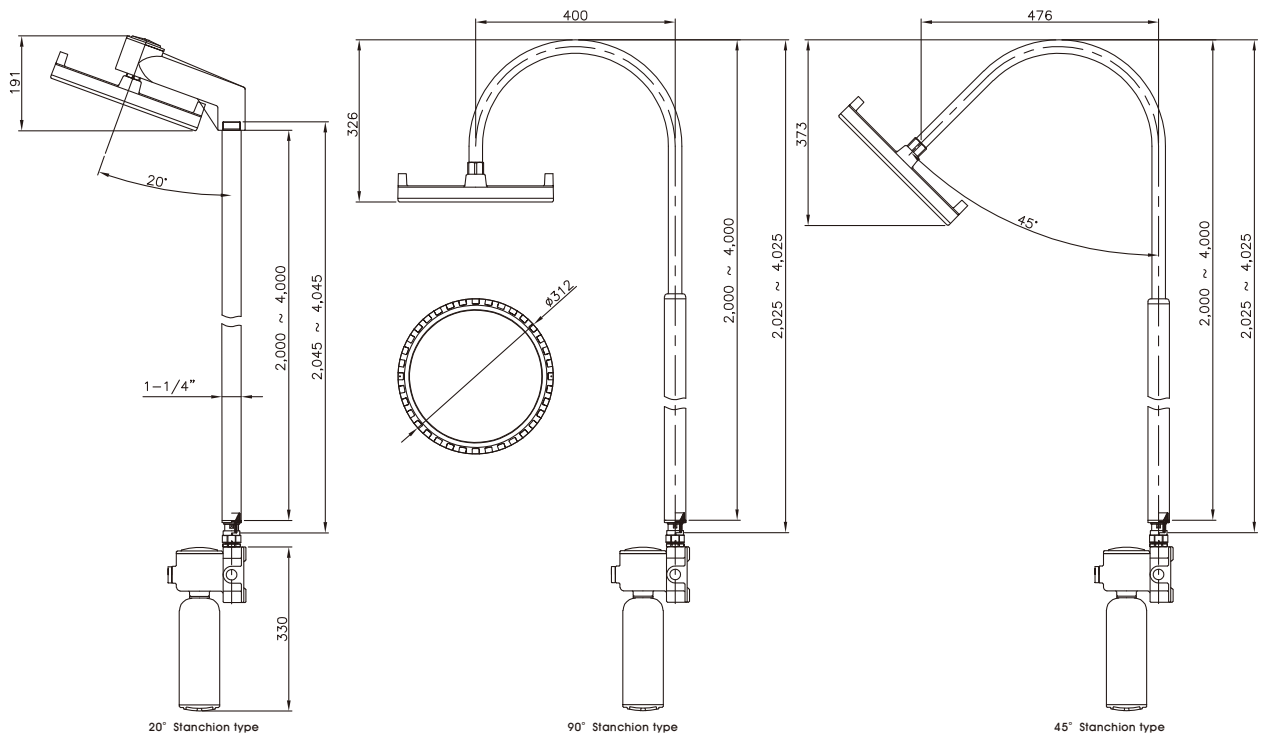
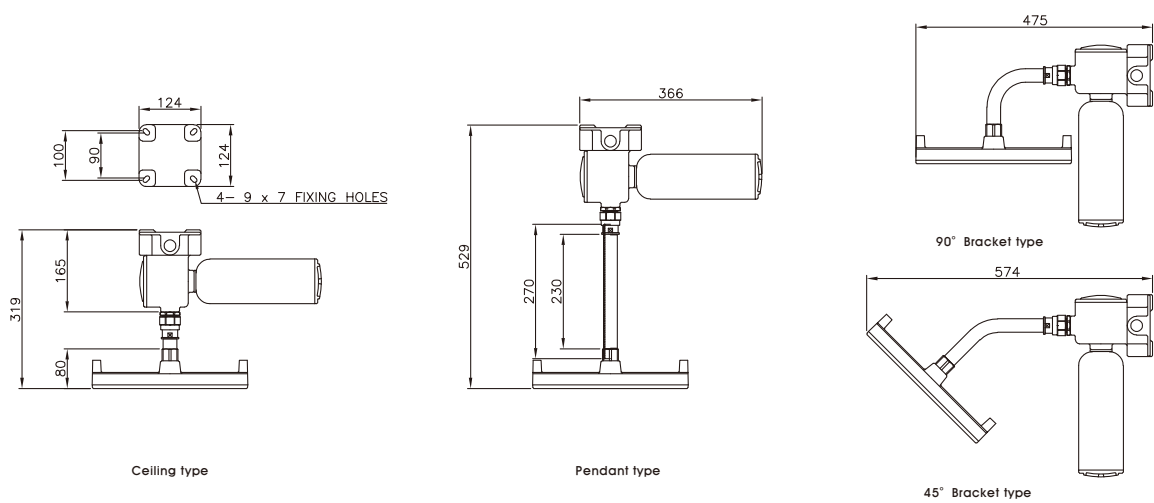


CERTIFICATION





Ex d IIC T6 IP66 (Ex db IIC T6 Gb IP66)





LED 내압 방폭등기구

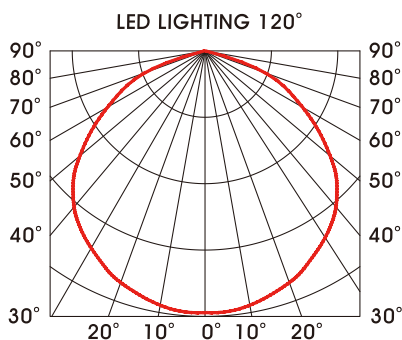
Explosion Proof LED Lighting Fixture [Ex d IIC]

- Top rate energy saving
- Excellent Luminous efficiency
- Consistent color rendering
- Light Weight
- Effortless installation
- Quality Waterproof part




Ex d IIC T5 IP66 (Ex db IIC T6 Gb IP66)



LIGHT DISTRIBUTION CURVE



PRODUCT CONTENTS

Model No.	Exd-IIC-L**~PD*-30		
Power	30 W	45 W	60 W
Replaced	MH 80~175 W	MH 80~175 W	MH 175~250 W
Certificate			
Luminous Efficiency	180 lm/W ±10 %	180 lm/W ±10 %	180 lm/W ±10 %
Total luminous flux	5 400 lm ±10 %	8 100 lm ±10 %	10 800 lm ±10 %
Weight (Head)	6 kg ±10 %	6 kg ±10 %	6 kg ±10 %

Electrical Characteristics	
Type	Built-in SMPS
Protection	Ex d IIC T5 IP66 For Zone1
Ambient temp	-20 °C ~ + 40 °C
Beam angle	120 °
Warranty	3 Years
Rated voltage	AC 100 ~ 240 V
Frequency	50 Hz / 60 Hz
Power factor	Min 90%
CCT	5 000 ± 283 K
CRI	80 ± 5 %

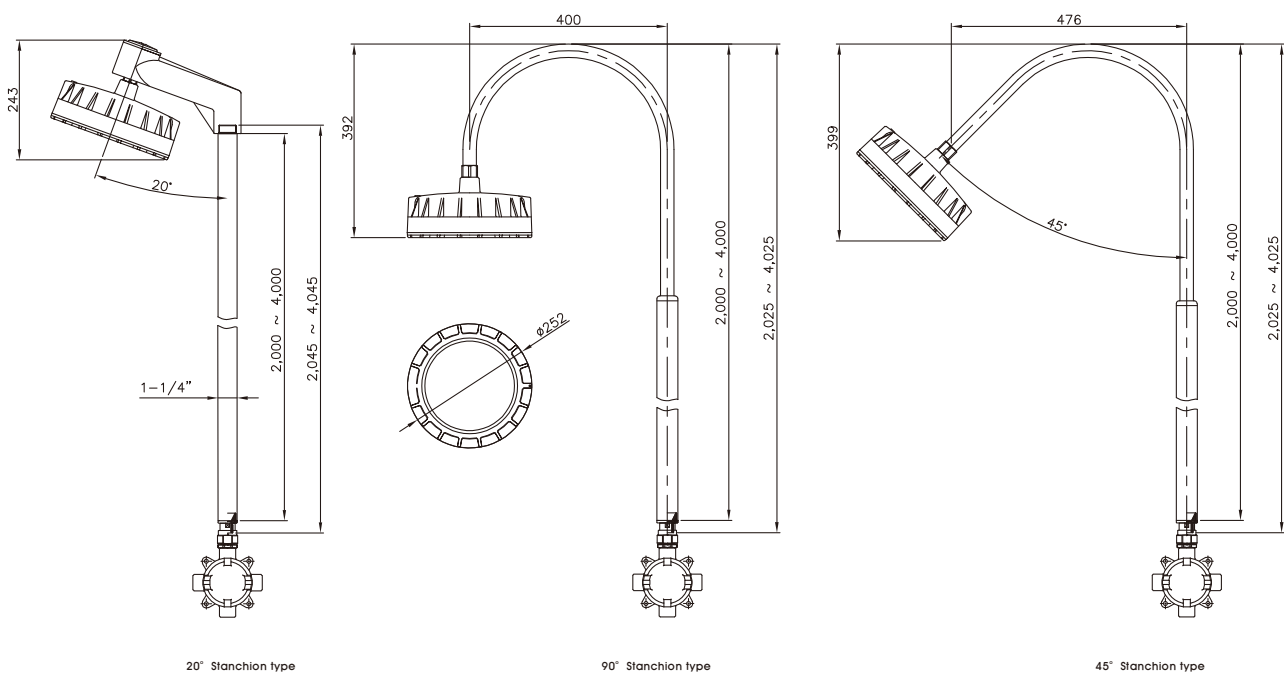
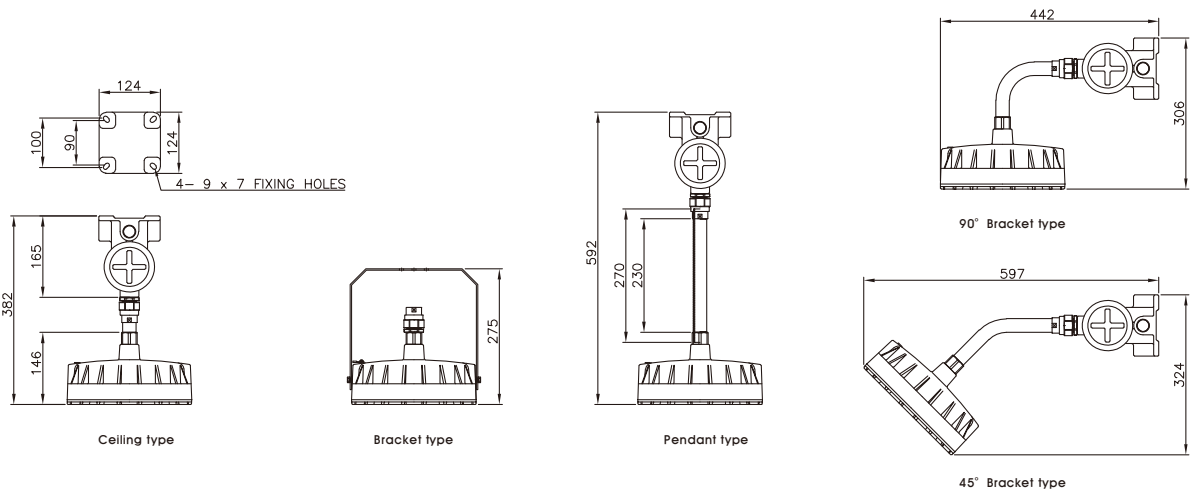
Material Characteristics	
Enclosure	Die Cast Aluminum Alloy
Front cover	Tempered Glass
ACC	SUS

CERTIFICATION





Ex d IIC T5 IP66 (Ex db IIC T6 Gb IP66)





LED 내압 방폭등기구




Explosion Proof LED Lighting Fixture [Ex d IIC]

- Top rate energy saving
- Excellent Luminous efficiency
- Consistent color rendering
- Light Weight
- Effortless installation
- Quality Waterproof part

Ex d IIC T5 IP66 (Ex db IIC T5 Gb IP66)



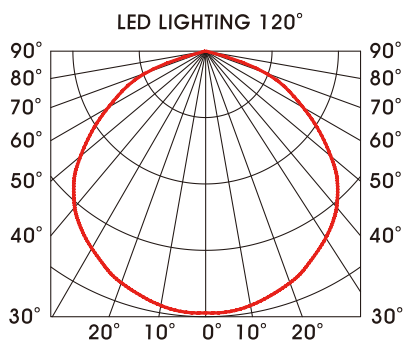
PRODUCT CONTENTS

Model No.	Exd-IIC-L-**-BKT-**-**		
Power	10 W	15 W	20 W
Replaced	MH 80 W 이하	MH 80 W 이하	MH 80 W 이하
Certificate			
Luminous Efficiency	180 lm/W ±10 %	180 lm/W ±10 %	180 lm/W ±10 %
Total luminous flux	1 800 lm ±10 %	2 700 lm ±10 %	3 600 lm ±10 %
Weight (Head)	3.5 kg ±10 %	3.5 kg ±10 %	3.5 kg ±10 %

Electrical Characteristics	
Type	Built-in SMPS
Protection	Ex d IIC T5 IP66 For Zone1
Ambient temp	-20 °C ~ + 40 °C
Beam angle	120 °
Warranty	3 Years
Rated voltage	AC 100 ~ 240 V
Frequency	50 Hz / 60 Hz
Power factor	Min 90%
CCT	5 000 ± 283 K
CRI	80 ± 5 %

Material Characteristics	
Enclosure	Die Cast Aluminum Alloy
Front cover	Tempered Glass
ACC	SUS

LIGHT DISTRIBUTION CURVE

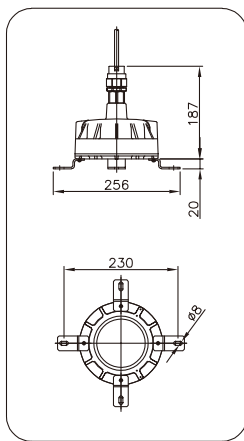


CERTIFICATION

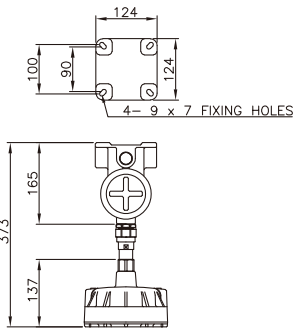




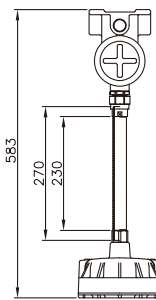
Ex d IIC T5 IP66 (Ex db IIC T5 Gb IP66)



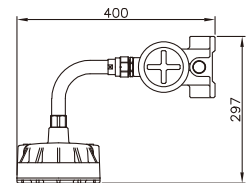
Tank Light TYPE



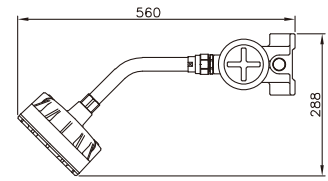
Ceiling type



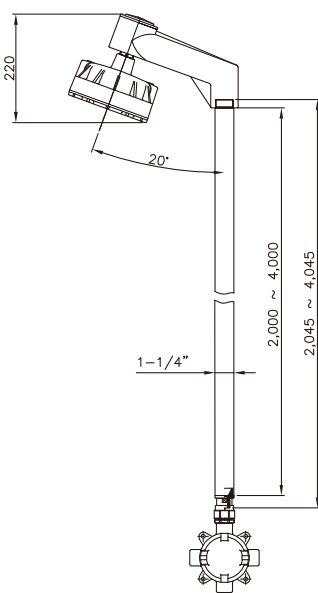
Pendant type



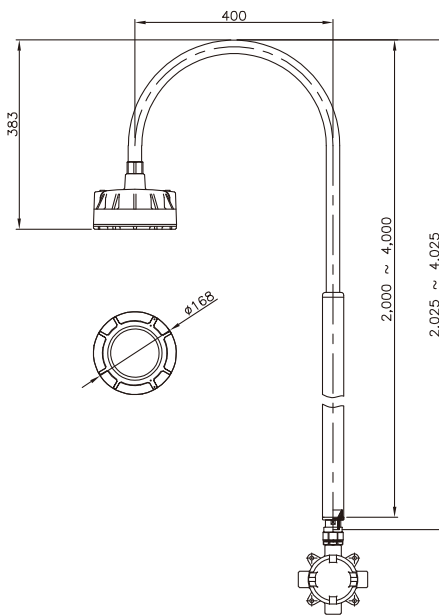
90° Bracket type



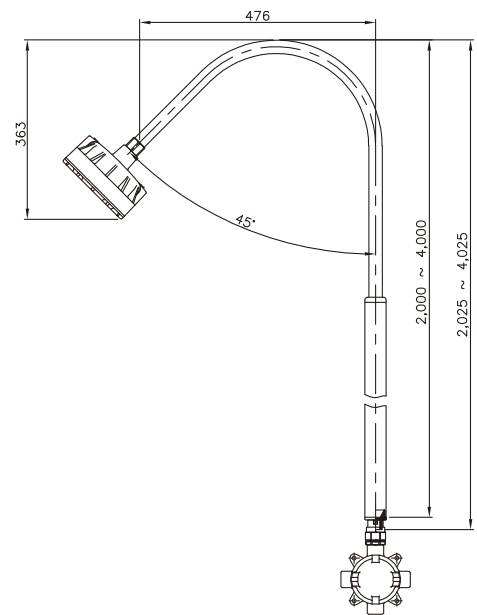
45° Bracket type



20° Stanchion type



90° Stanchion type



45° Stanchion type



LED 내압 방폭등기구

Explosion Proof LED Lighting Fixture [Ex d IIC]

- Top rate energy saving
- Excellent Luminous efficiency
- Consistent color rendering
- Light Weight
- Effortless installation
- Quality Waterproof part

Ex d IIC T5 IP66 (Ex db IIC T6 Gb IP66)



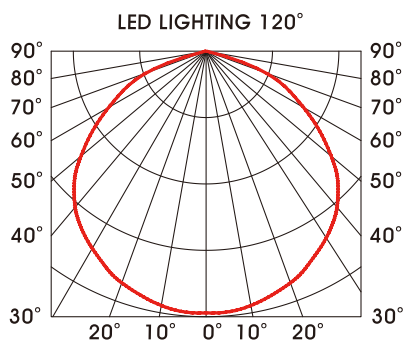
PRODUCT CONTENTS

Model No.	LUNA L1Z1D-*****		
Power	70 W	80 W	100 W
Replaced	MH 175~300 W	MH 300~400 W	MH 400~500 W
Certificate	In Progress	In Progress	In Progress
Luminous Efficiency	180 lm/W ±10 %	180 lm/W ±10 %	180 lm/W ±10 %
Total luminous flux	12 600 lm ±10 %	14 400 lm ±10 %	18 000 lm ±10 %
Weight (Head)	4.5 kg ±10 %	4.5 kg ±10 %	4.5 kg ±10 %

Electrical Characteristics	
Type	External SMPS
Protection	Ex d IIC T5 IP66 For Zone 1
Ambient temp	-20 °C ~ + 40 °C
Beam angle	120 °
Warranty	3 Years
Rated voltage	AC 100 ~ 240 V
Frequency	50 Hz / 60 Hz
Power factor	Min 90%
CCT	5 000 ± 283 K
CRI	80 ± 5 %

Material Characteristics	
Enclosure	Cast Aluminum Alloy
Front cover	Tempered Glass
ACC	SUS

LIGHT DISTRIBUTION CURVE

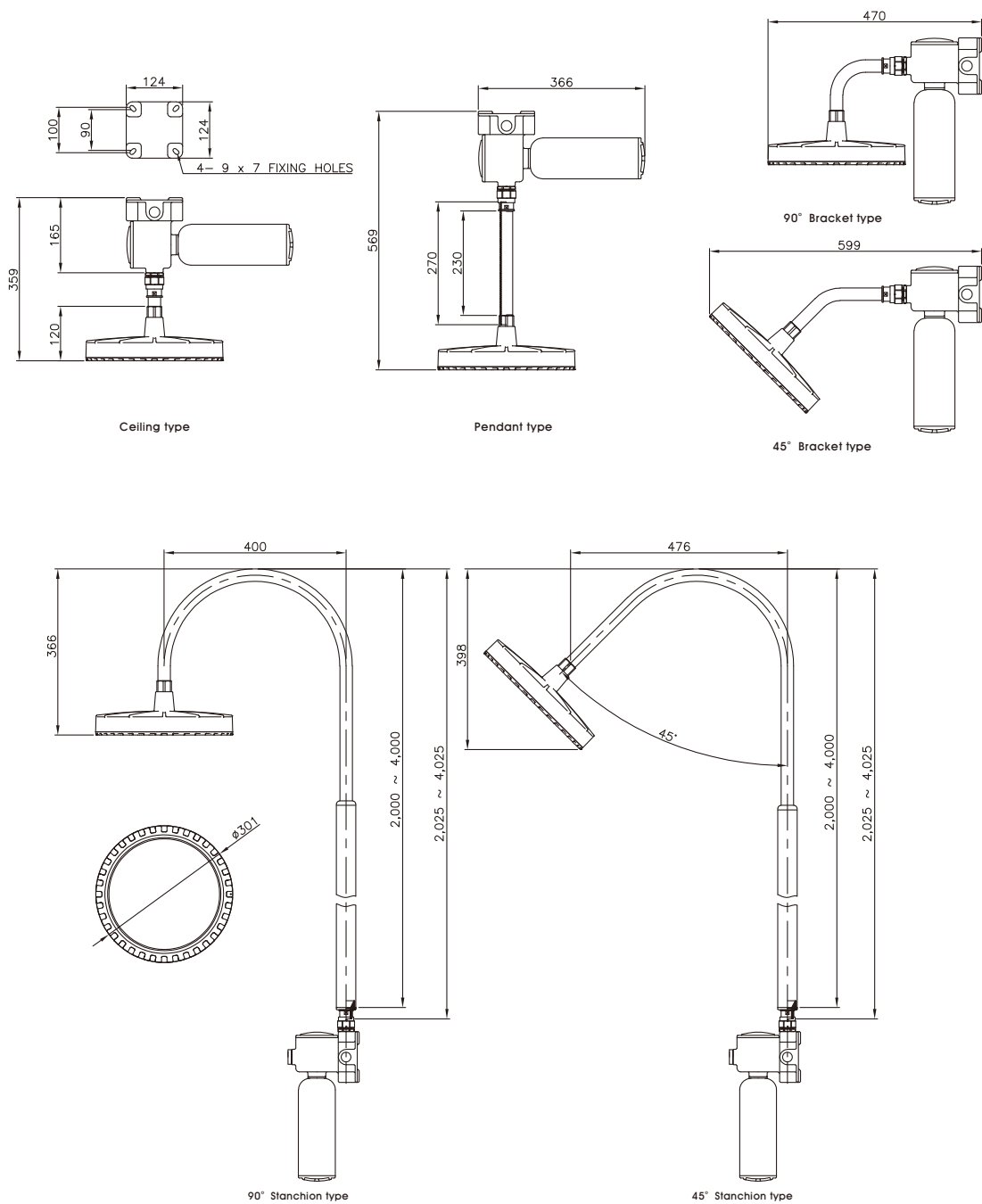


CERTIFICATION





Ex d IIC T5 IP66 (Ex db IIC T6 Gb IP66)





LED 내압 방폭등기구




Explosion Proof LED Lighting Fixture [Ex d IIC]

- Top rate energy saving
- Excellent Luminous efficiency
- Consistent color rendering
- Light Weight
- Effortless installation
- Quality Waterproof part

Ex d IIC T6 IP66 (Ex db IIC T6 Gb IP66)



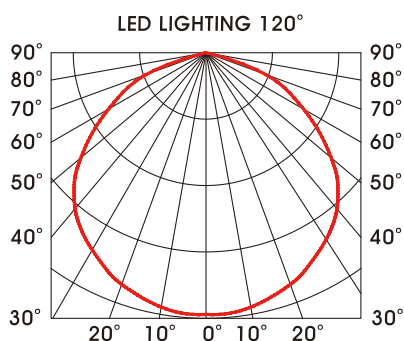
PRODUCT CONTENTS

Model No.	LUNA L2Z1D_****		
Power	30 W	45 W	60 W
Replaced	MH 80~175 W	MH 80~175 W	MH 175~250 W
Certificate			
Luminous Efficiency	180 lm/W ±10 %	180 lm/W ±10 %	180 lm/W ±10 %
Total luminous flux	5 400 lm ±10 %	8 100 lm ±10 %	10 800 lm ±10 %
Weight (Head)	3.5 kg ±10 %	3.5 kg ±10 %	3.5 kg ±10 %

Electrical Characteristics	
Type	External SMPS
Protection	Ex d IIC T6 IP66 For Zone1
Ambient temp	-20 °C ~ + 40 °C
Beam angle	120 °
Warranty	3 Years
Rated voltage	AC 100 ~ 240 V
Frequency	50 Hz / 60 Hz
Power factor	Min 90%
CCT	5 000 ± 283 K
CRI	80 ± 5 %

Material Characteristics	
Enclosure	Cast Aluminum Alloy
Front cover	Tempered Glass
ACC	SUS

LIGHT DISTRIBUTION CURVE

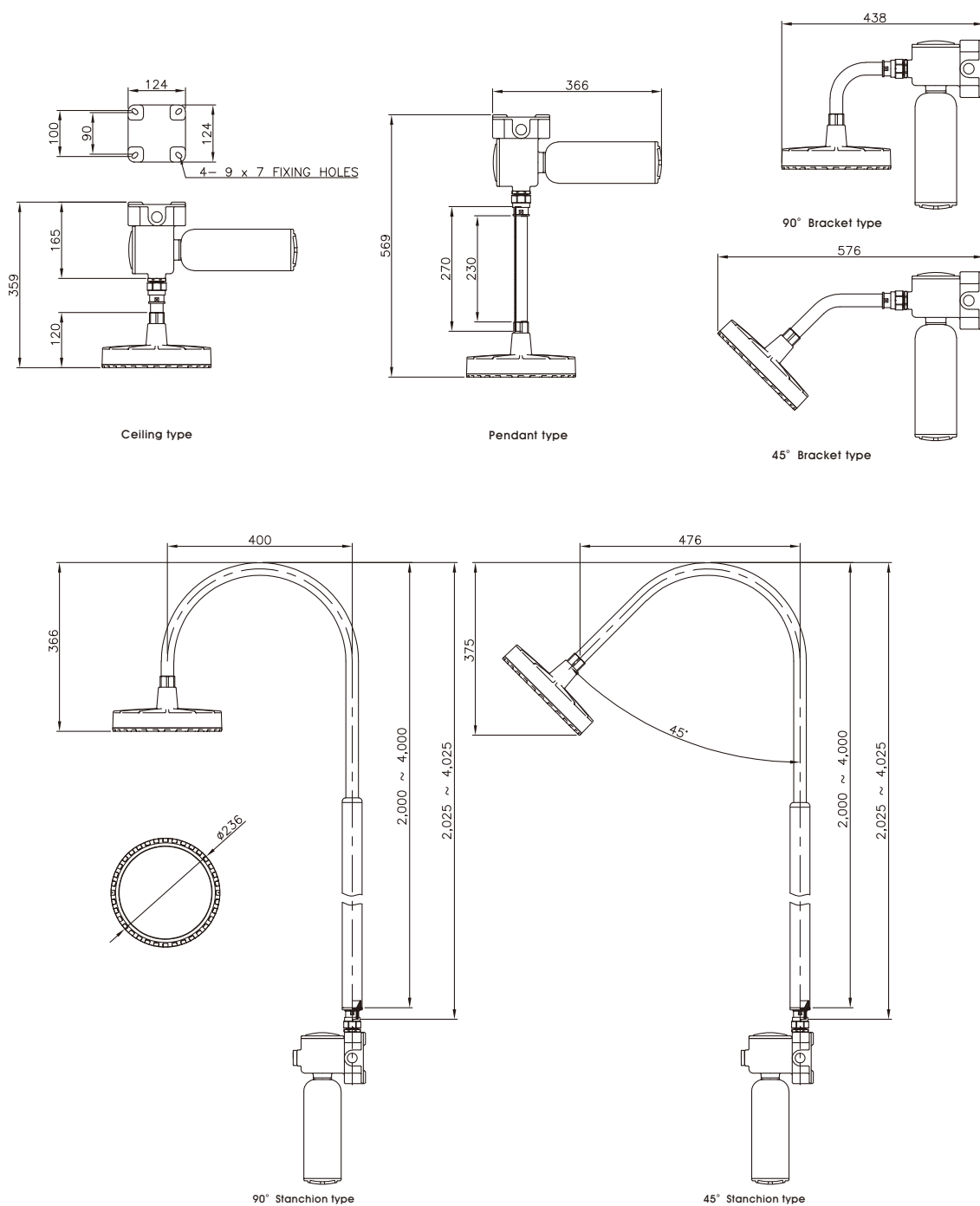


CERTIFICATION





Ex d IIC T6 IP66 (Ex db IIC T6 Gb IP66)





Explosion Proof LED Lighting Fixture [Ex d IIC]




- Top rate energy saving
- Excellent Luminous efficiency
- Consistent color rendering
- Light Weight
- Effortless installation
- Quality Waterproof part

LED 내압 방폭등기구 <POLE STANCHION TYPE>

Ex d IIC T5 IP66 (Ex db IIC T5 Gb IP66)



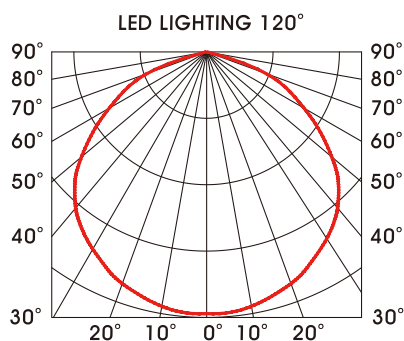
PRODUCT CONTENTS

Model No.	LUNA L1Z1D-***SH		
Power	70 W	80 W	100 W
Replaced	MH 250~300 W	MH 300~400 W	MH 400~500 W
Certificate			
Luminous Efficiency	180 lm/W ±10 %	180 lm/W ±10 %	180 lm/W ±10 %
Total luminous flux	12 600 lm ±10 %	14 400 lm ±10 %	18 000 lm ±10 %
Weight (Head)	4.5 kg ±10 %	4.5 kg ±10 %	4.5 kg ±10 %

Electrical Characteristics	
Type	External SMPS
Protection	Ex d IIC T5 IP66 For Zone1
Ambient temp	-20 °C ~ + 40 °C
Beam angle	120 °
Warranty	3 Years
Rated voltage	AC 100 ~ 240 V
Frequency	50 Hz / 60 Hz
Power factor	Min 90%
CCT	5 000 ± 283 K
CRI	80 ± 5 %

Material Characteristics	
Enclosure	Cast Aluminum Alloy
Front cover	Tempered Glass
ACC	SUS

LIGHT DISTRIBUTION CURVE

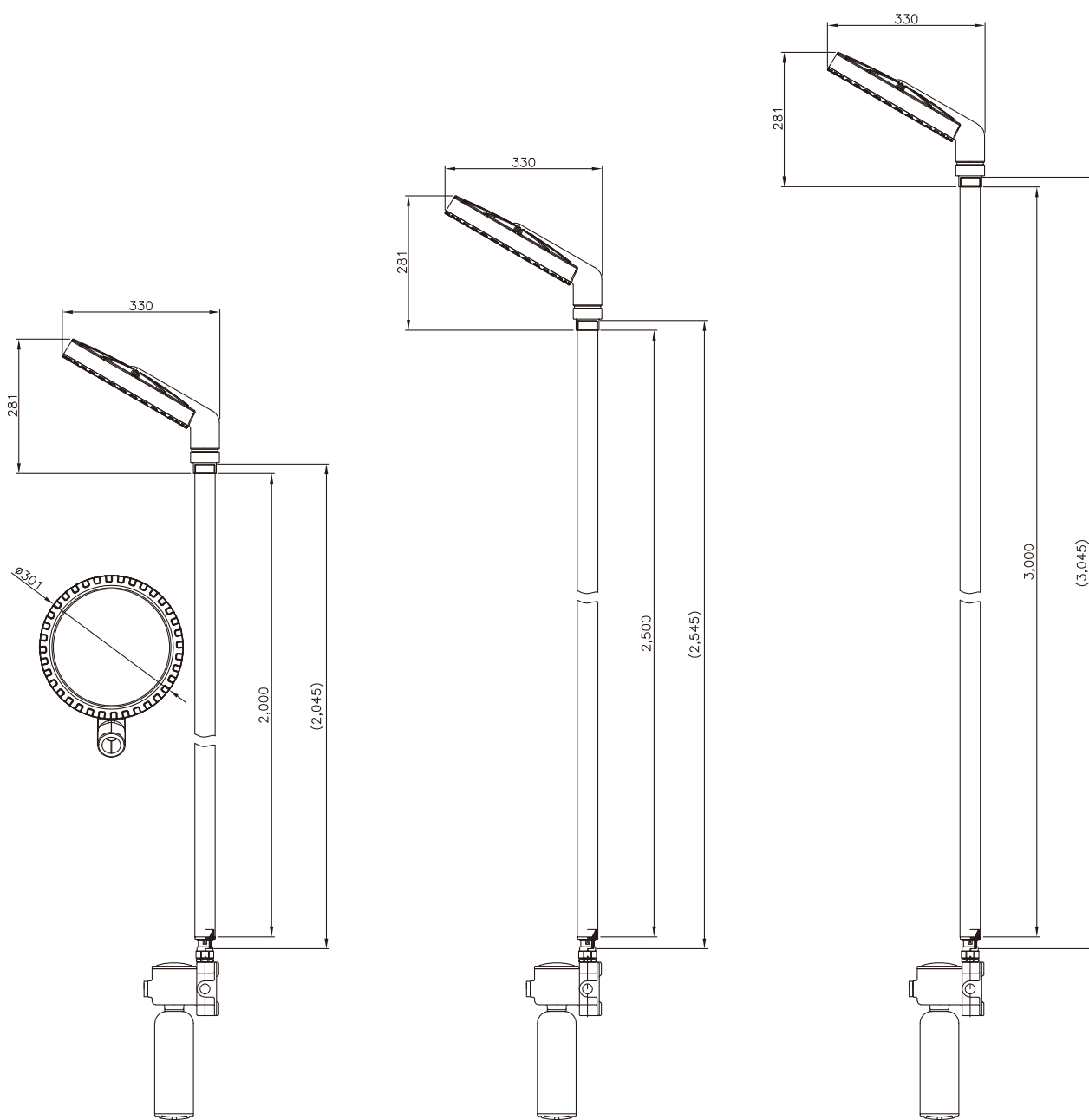


CERTIFICATION





Ex d IIC T5 IP66 (Ex db IIC T5 Gb IP66)



20° Stanchion type

Explosion Proof LED Lighting Fixture [Ex d IIC]






- Top rate energy saving
- Excellent Luminous efficiency
- Consistent color rendering
- Light Weight
- Effortless installation
- Quality Waterproof part

LED 내압 방폭등기구 <POLE STANCHION TYPE>

Ex d IIC T5 IP66 (Ex db IIC T5 Gb IP66)



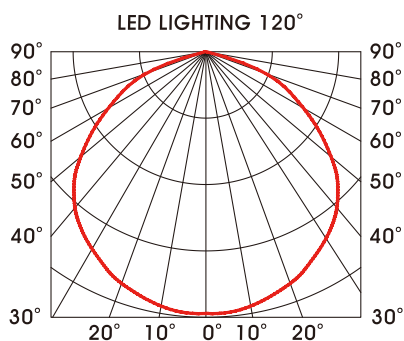
PRODUCT CONTENTS

Model No.	LUNA L2Z1D-***SH		
Power	30 W	45 W	60 W
Replaced	MH 80~175 W	MH 80~175 W	MH 175~250 W
Certificate			
Luminous Efficiency	180 lm/W ±10 %	180 lm/W ±10 %	180 lm/W ±10 %
Total luminous flux	5 400 lm ±10 %	8 100 lm ±10 %	10 800 lm ±10 %
Weight (Head)	3.5 kg ±10 %	3.5 kg ±10 %	3.5 kg ±10 %

Electrical Characteristics	
Type	External SMPS
Protection	Ex d IIC T5 IP66 For Zone1
Ambient temp	-20 °C ~ + 40 °C
Beam angle	120 °
Warranty	3 Years
Rated voltage	AC 100 ~ 240 V
Frequency	50 Hz / 60 Hz
Power factor	Min 90%
CCT	5 000 ± 283 K
CRI	80 ± 5 %

Material Characteristics	
Enclosure	Die Cast Aluminum Alloy
Front cover	Tempered Glass
ACC	SUS

LIGHT DISTRIBUTION CURVE

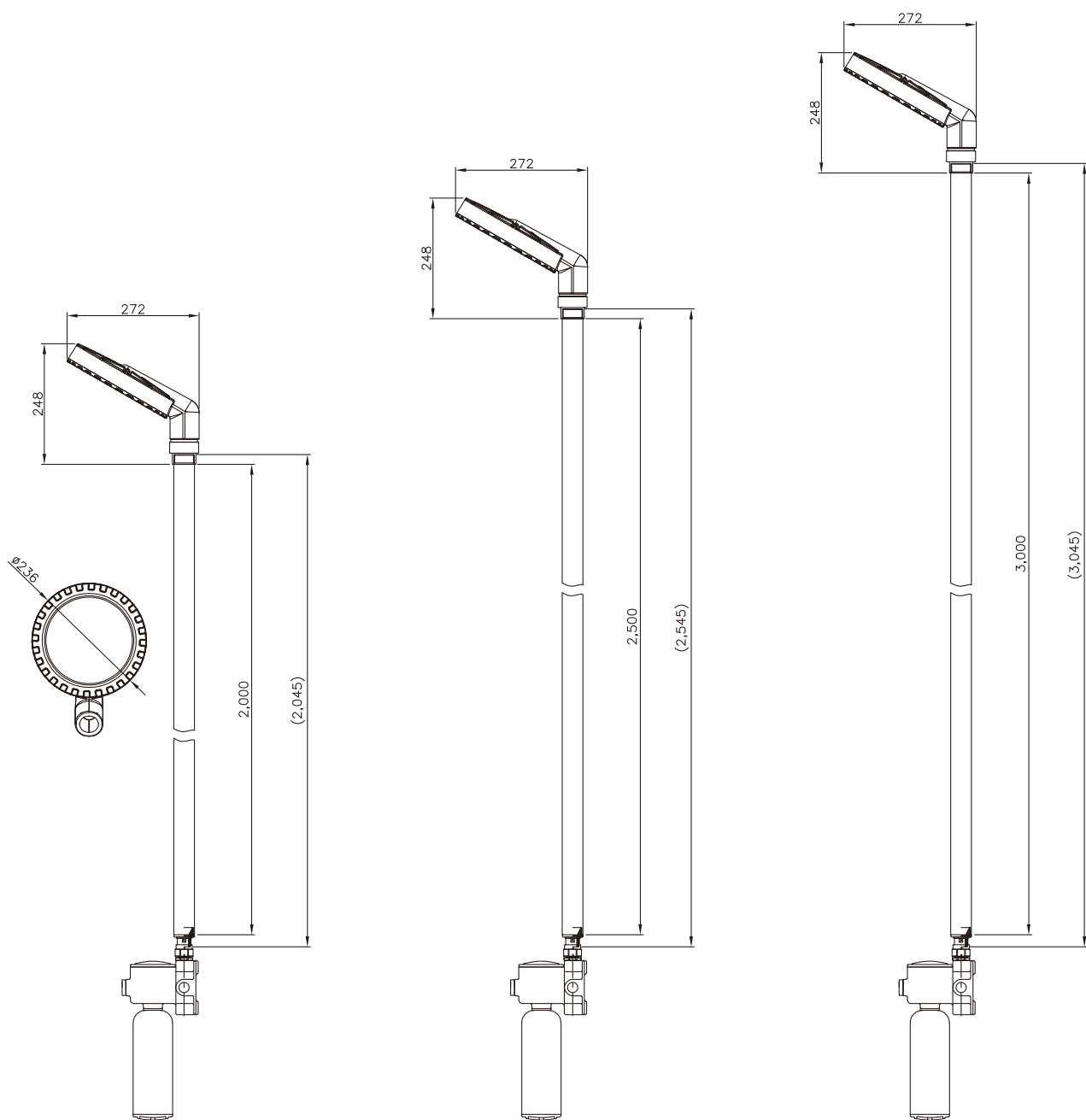


CERTIFICATION





Ex d IIC T5 IP66 (Ex db IIC T5 Gb IP66)



20° Stanchion type



Explosion Proof LED Lighting Fixture [Ex d IIC]

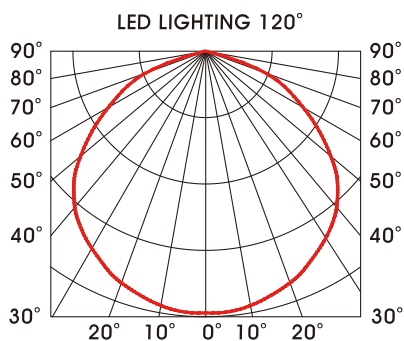
- Top rate energy saving
- Excellent Luminous efficiency
- Consistent color rendering
- Light Weight
- Effortless installation
- Quality Waterproof part

LED 내압 방폭등기구 <AC DIRECT TYPE>



Ex d IIC T6 IP66 (Ex db IIC T6 Gb IP66)



LIGHT DISTRIBUTION CURVE



PRODUCT CONTENTS

Model No.	LUNA L1Z1DA_****		
Power	80 W	100 W	120 W
Replaced	MH 300~400 W	MH 400~500 W	MH 500~600 W
Certificate	 In Progress	 In Progress	 In Progress
Luminous Efficiency	180 lm/W ±10 %	180 lm/W ±10 %	180 lm/W ±10 %
Total luminous flux	14 400 lm ±10 %	18 000 lm ±10 %	21 600 lm ±10 %
Weight (Head)	4.5 kg ±10 %	4.5 kg ±10 %	4.5 kg ±10 %

Electrical Characteristics	
Type	AC Direct Dirver
Protection	Ex d IIC T6 IP66 For Zone1
Ambient temp	-20 °C ~ + 40 °C
Beam angle	120 °
Warranty	3 Years
Rated voltage	AC 100 ~ 240 V
Frequency	50 Hz / 60 Hz
Power factor	Min 90%
CCT	5 000 ± 283 K
CRI	80 ± 5 %

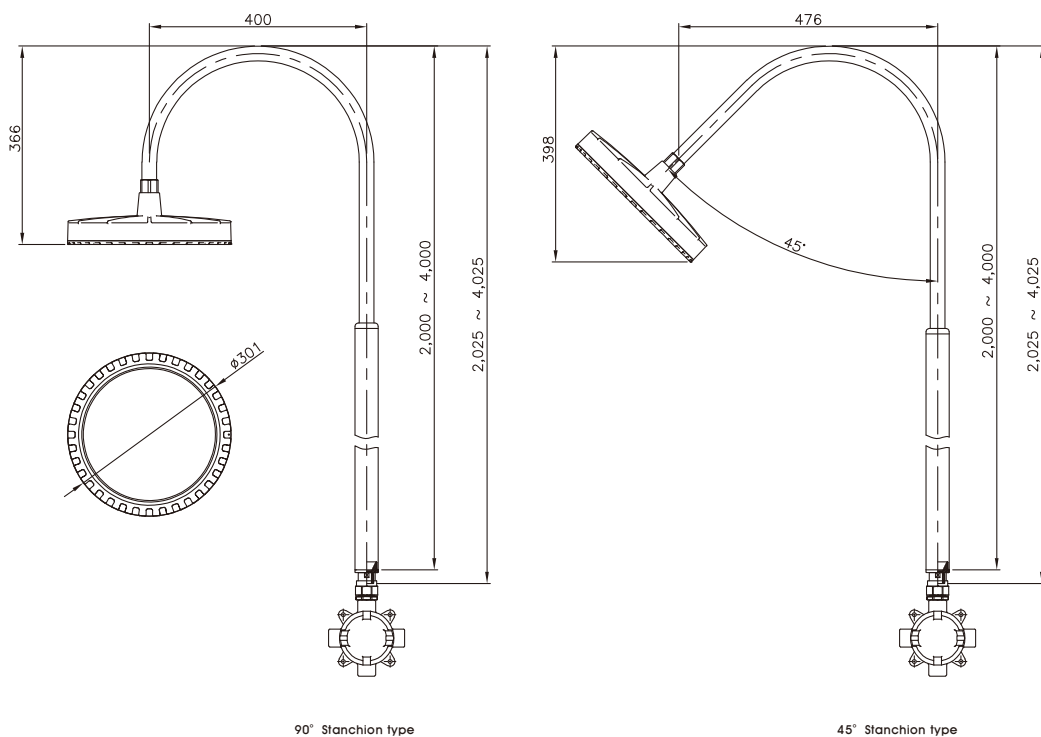
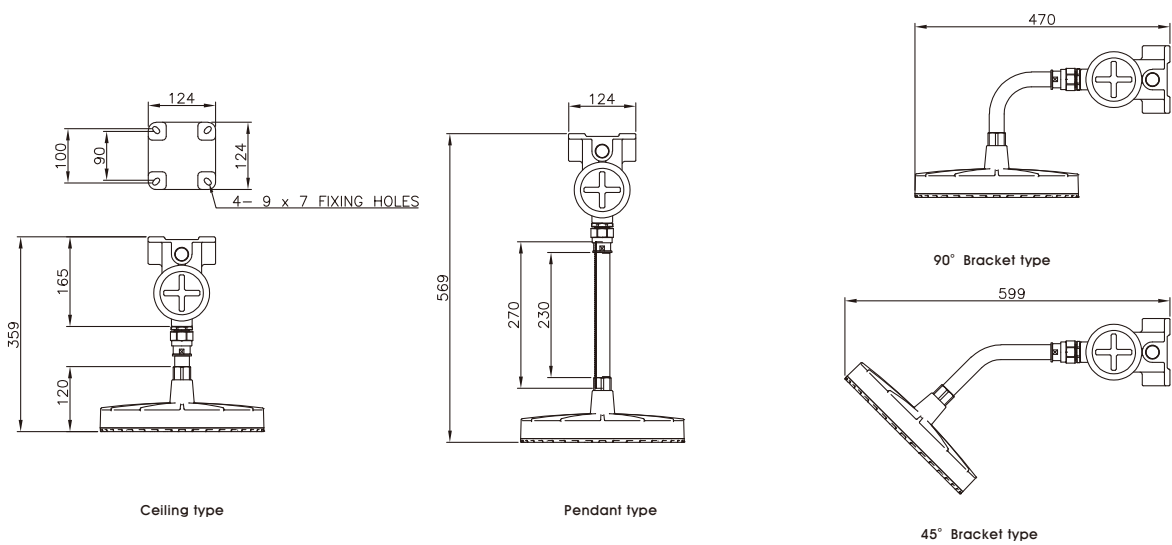
Material Characteristics	
Enclosure	Cast Aluminum Alloy
Front cover	Tempered Glass
ACC	SUS

CERTIFICATION





Ex d IIC T6 IP66 (Ex db IIC T6 Gb IP66)





Explosion Proof LED Lighting Fixture [Ex d IIC]




- Top rate energy saving
- Excellent Luminous efficiency
- Consistent color rendering
- Light Weight
- Effortless installation
- Quality Waterproof part

LED 내압 방폭등기구 <AC DIRECT TYPE>

Ex d IIC T6 IP66 (Ex db IIC T6 Gb IP66)



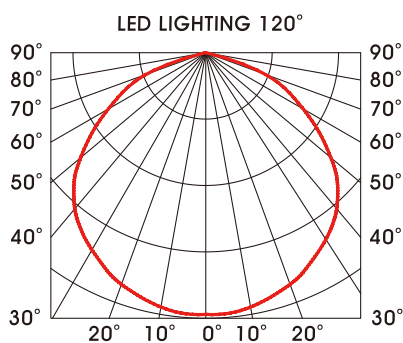
PRODUCT CONTENTS

Model No.	LUNA L2Z1DA-*****		
Power	30 W	45 W	60 W
Replaced	MH 80~175 W	MH 80~175 W	MH 175~250 W
Certificate	 In Progress	 In Progress	 In Progress
Luminous Efficiency	180 lm/W ± 10 %	180 lm/W ± 10 %	180 lm/W ± 10 %
Total luminous flux	5 400 lm ± 10 %	8 100 lm ± 10 %	10 800 lm ± 10 %
Weight (Head)	3.5 kg ± 10 %	3.5 kg ± 10 %	3.5 kg ± 10 %

Electrical Characteristics	
Type	AC Direct Driver
Protection	Ex d IIC T6 IP66 For Zone 1
Ambient temp	-20 °C ~ + 40 °C
Beam angle	120 °
Warranty	3 Years
Rated voltage	AC 100 ~ 240 V
Frequency	50 Hz / 60 Hz
Power factor	Min 90%
CCT	5 000 ± 283 K
CRI	80 ± 5 %

Material Characteristics	
Enclosure	Cast Aluminum Alloy
Front cover	Tempered Glass
ACC	SUS

LIGHT DISTRIBUTION CURVE

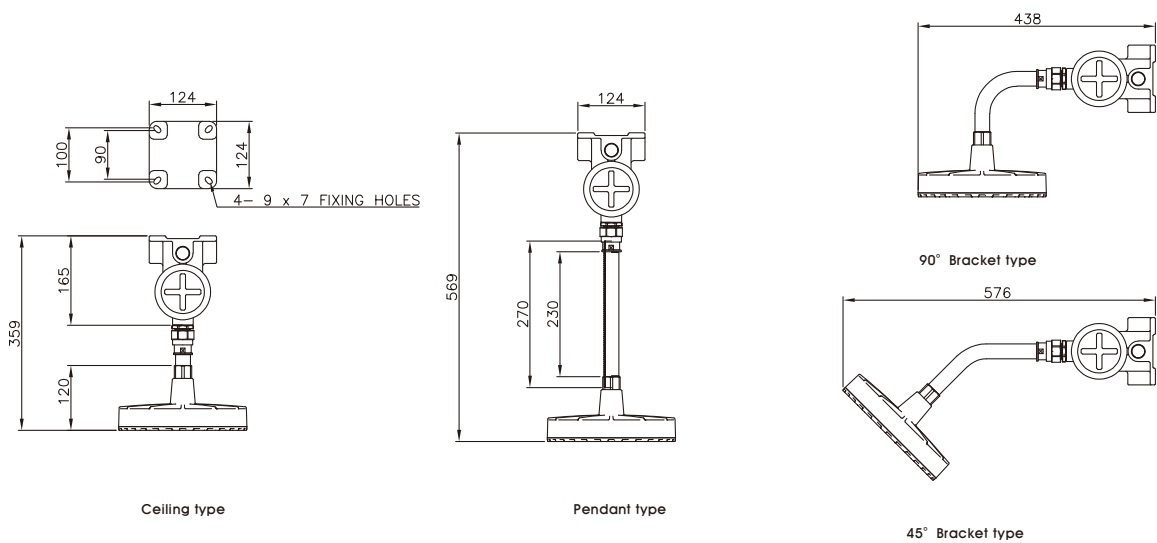


CERTIFICATION

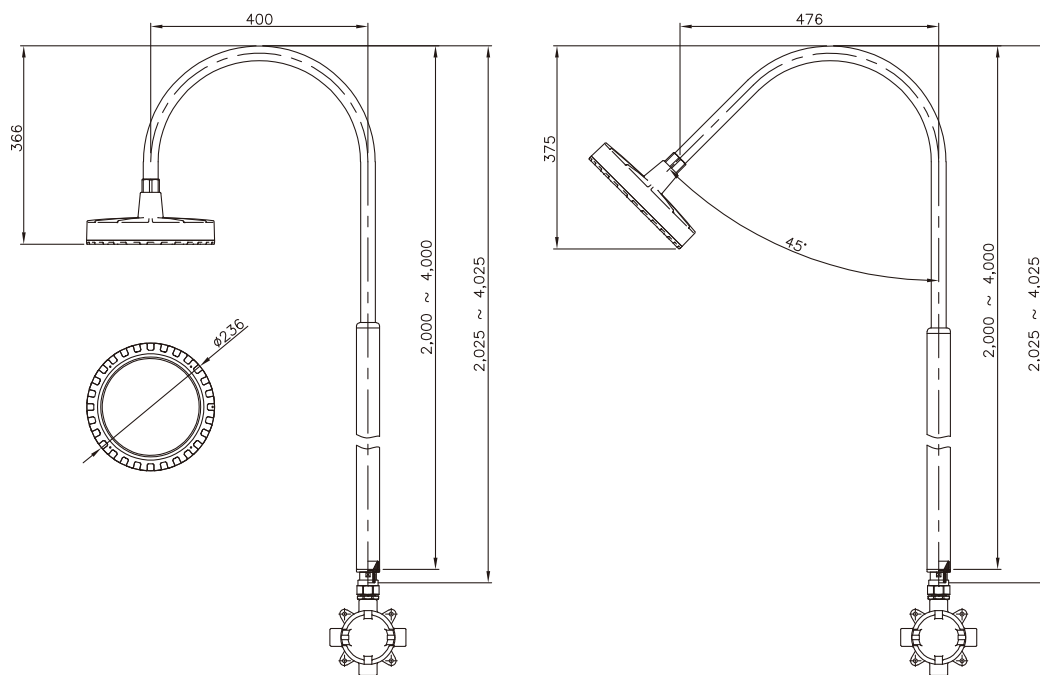




Ex d IIC T6 IP66 (Ex db IIC T6 Gb IP66)



45° Bracket type





Explosion Proof LED Lighting Fixture [Ex d IIC]




- Top rate energy saving
- Excellent Luminous efficiency
- Consistent color rendering
- Light Weight
- Effortless installation
- Quality Waterproof part

LED 내압 방폭등기구 <AC DIRECT / POLE STANCHION TYPE>

Ex d IIC T5 IP66 (Ex db IIC T5 Gb IP66)



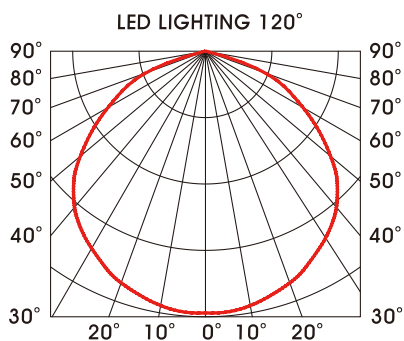
PRODUCT CONTENTS

Model No.	LUNA L1Z1DA-***SH		
Power	80 W	100 W	120 W
Replaced	MH 300~400 W	MH 400~500 W	MH 500~600 W
Certificate	 In Progress	 In Progress	 In Progress
Luminous Efficiency	180 lm/W ±10 %	180 lm/W ±10 %	180 lm/W ±10 %
Total luminous flux	14 400 lm ±10 %	18 000 lm ±10 %	21 600 lm ±10 %
Weight (Head)	4.5 kg ±10 %	4.5 kg ±10 %	4.5 kg ±10 %

Electrical Characteristics	
Type	AC Direct Driver
Protection	Ex d IIC T5 IP66 For Zone 1
Ambient temp	-20 °C ~ + 40 °C
Beam angle	120 °
Warranty	3 Years
Rated voltage	AC 100 ~ 240 V
Frequency	50 Hz / 60 Hz
Power factor	Min 90%
CCT	5 000 ± 283 K
CRI	80 ± 5 %

Material Characteristics	
Enclosure	Cast Aluminum Alloy
Front cover	Tempered Glass
ACC	SUS

LIGHT DISTRIBUTION CURVE

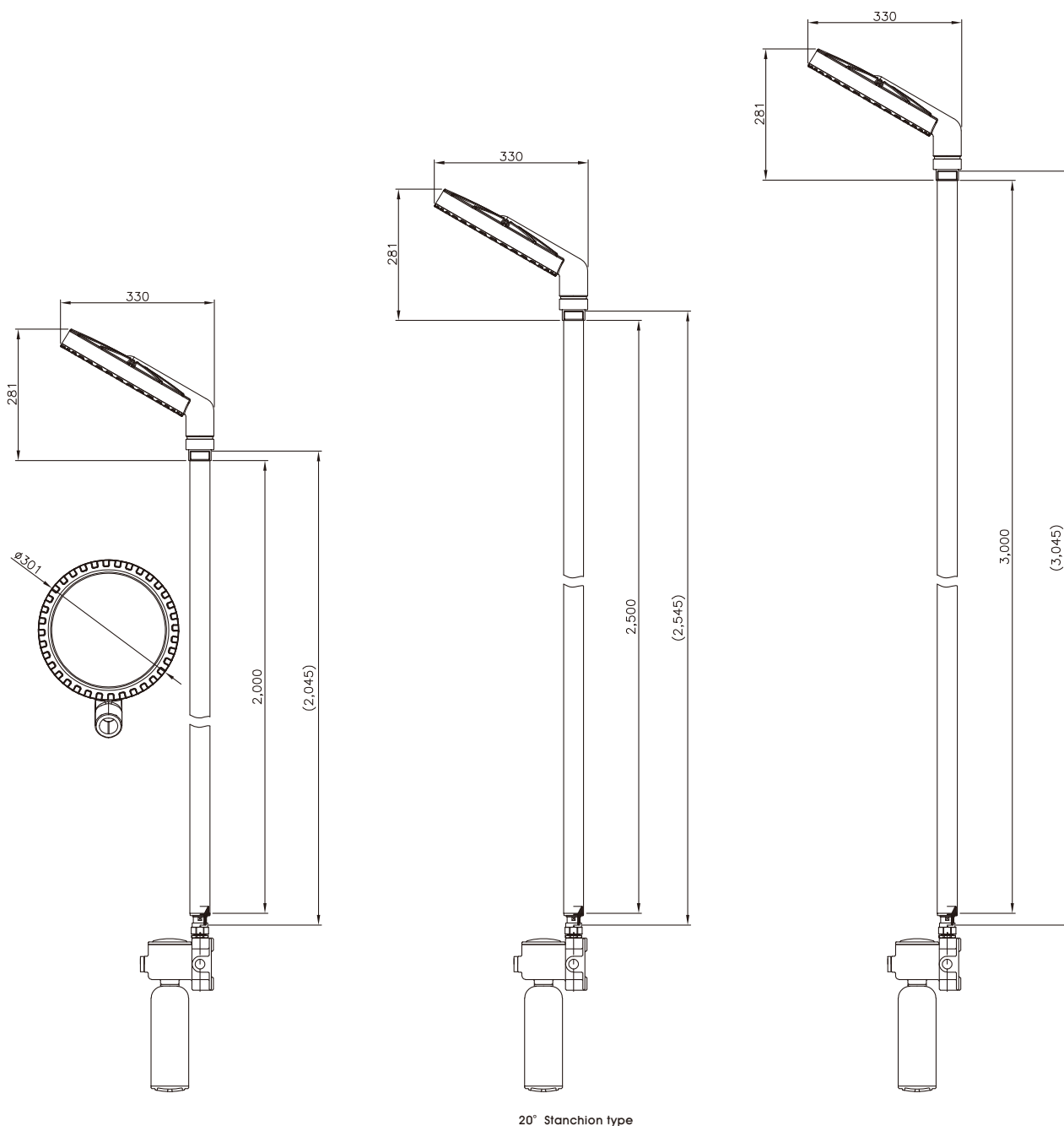


CERTIFICATION





Ex d IIC T5 IP66 (Ex db IIC T5 Gb IP66)



20° Stanchion type



Explosion Proof LED Lighting Fixture [Ex d IIC]




- Top rate energy saving
- Excellent Luminous efficiency
- Consistent color rendering
- Light Weight
- Effortless installation
- Quality Waterproof part

LED 내압 방폭등기구 <AC DIRECT / POLE STANCHION TYPE>

Ex d IIC T5 IP66 (Ex db IIC T5 Gb IP66)



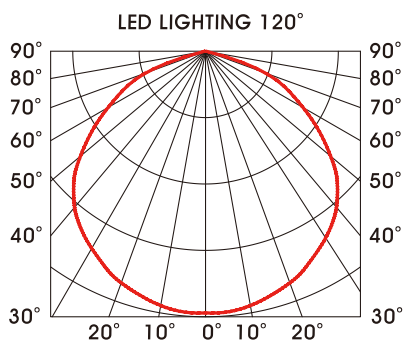
PRODUCT CONTENTS

Model No.	LUNA L2Z1DA-***SH		
Power	30 W	45 W	60 W
Replaced	MH 80~175 W	MH 80~175 W	MH 175~250 W
Certificate	 In Progress	 In Progress	 In Progress
Luminous Efficiency	180 lm/W ±10 %	180 lm/W ±10 %	180 lm/W ±10 %
Total luminous flux	5 400 lm ±10 %	8 100 lm ±10 %	10 800 lm ±10 %
Weight (Head)	3.5 kg ±10 %	3.5 kg ±10 %	3.5 kg ±10 %

Electrical Characteristics	
Type	AC Direct Driver
Protection	Ex d IIC T5 IP66 For Zone1
Ambient temp	-20 °C ~ + 40 °C
Beam angle	120 °
Warranty	3 Years
Rated voltage	AC 100 ~ 240 V
Frequency	50 Hz / 60 Hz
Power factor	Min 90%
CCT	5 000 ± 283 K
CRI	80 ± 5 %

Material Characteristics	
Enclosure	Cast Aluminum Alloy
Front cover	Tempered Glass
ACC	SUS

LIGHT DISTRIBUTION CURVE

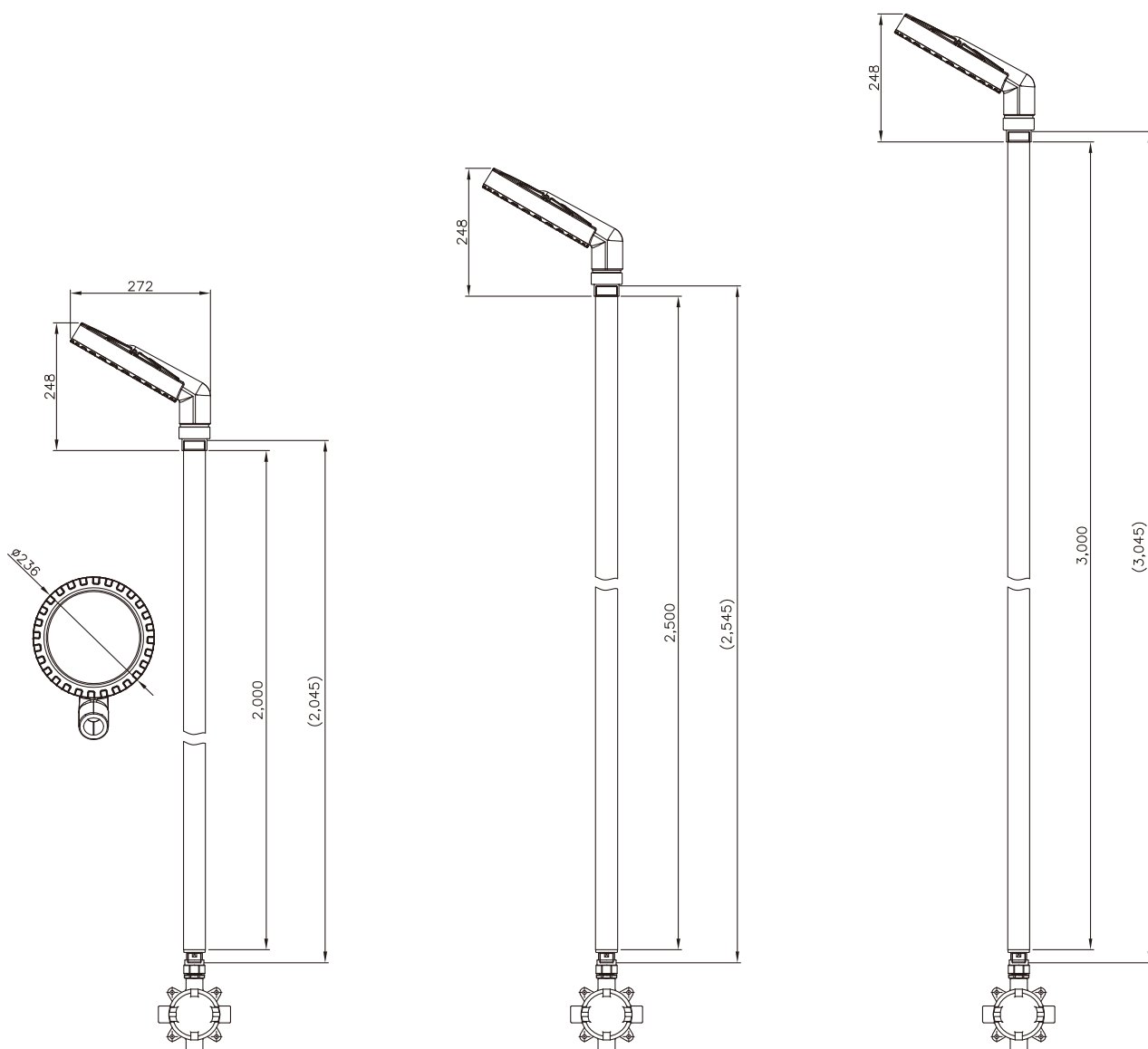


CERTIFICATION





Ex d IIC T5 IP66 (Ex db IIC T5 Gb IP66)



20° Stanchion type

Explosion Proof LED Lighting Fixture [Ex d IIC]






LED 내압 방폭등기구

- Top rate energy saving
- Excellent Luminous efficiency
- Consistent color rendering
- Light Weight
- Effortless installation
- Quality Waterproof part

Ex d IIC T6 IP66 (Ex db IIC T6 Gb IP66)



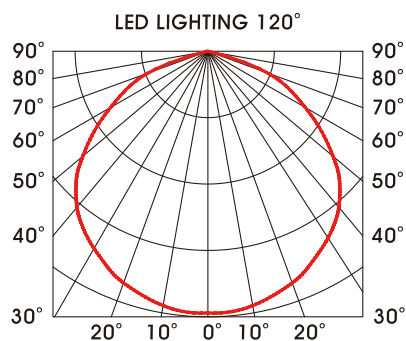
PRODUCT CONTENTS

Model No.	Exd IIC T6-L**		
Power	30 W	45 W	60 W
Replaced	MH 80~175 W	MH 80~175 W	MH 175~250 W
Certificate	 In Progress	 In Progress	 In Progress
Luminous Efficiency	180 lm/W ±10 %	180 lm/W ±10 %	180 lm/W ±10 %
Total luminous flux	5 400 lm ±10 %	8 100 lm ±10 %	10 800 lm ±10 %
Weight (Head)	10 kg ±10 %	10 kg ±10 %	10 kg ±10 %

Electrical Characteristics	
Type	Built-in SMPS
Protection	Ex d IIC T6 IP66
Ambient temp	-20 °C ~ + 40 °C
Beam angle	120 °
Warranty	3 Years
Rated voltage	AC 100 ~ 240 V
Frequency	50 Hz / 60 Hz
Power factor	Min 90%
CCT	5 000 ± 283 K
CRI	80 ± 5 %

Material Characteristics	
Enclosure	Die Cast Aluminum Alloy
Front cover	Tempered Glass
ACC	SUS

LIGHT DISTRIBUTION CURVE

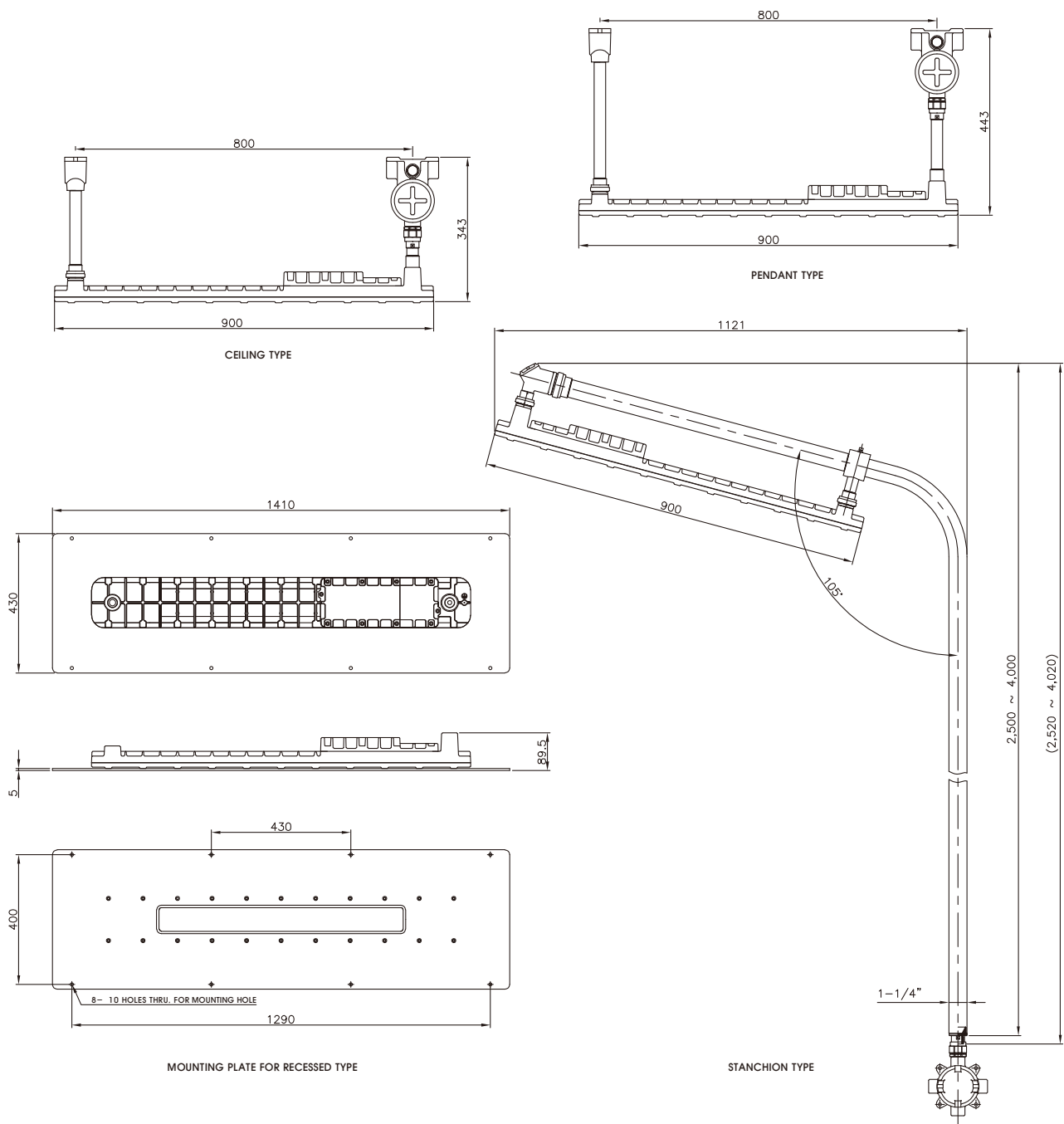


CERTIFICATION





Ex d IIC T6 IP66 (Ex db IIC T6 Gb IP66)





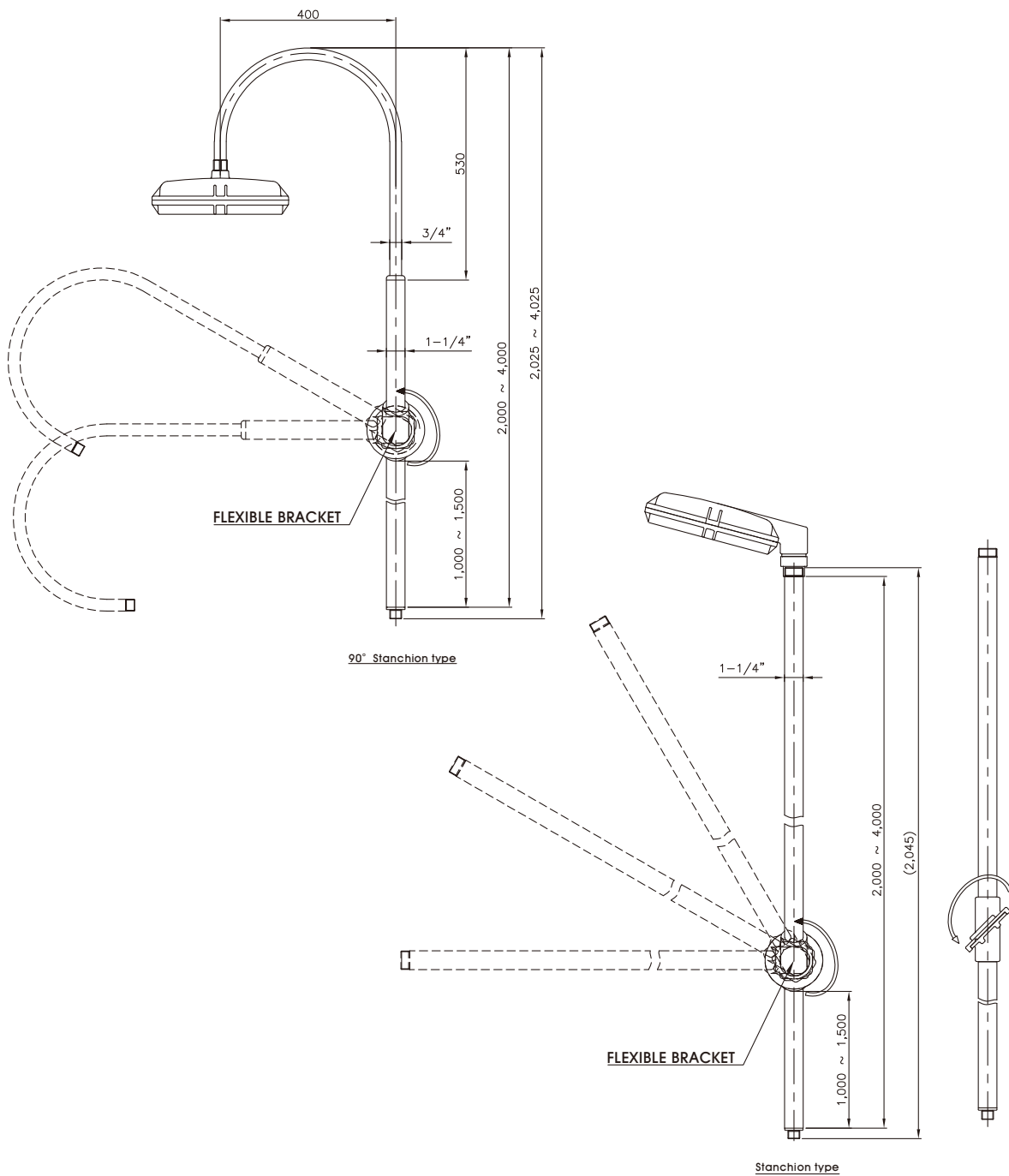
가변형 폴(POLE) 적용 가능 모델



Explosion-Proof Structure	Type of Protection	Model Name
Zone 2	Ex nR	nR-II T6-L** nR-II T6-L**P
Zone 21	Ex tD	nR-tD A21-L** nR-tD A21-L**P
Zone 2 / Zone 21	Ex nR / tD	LUNA L1Z2D-****
Zone 1	Ex d IIB	Exd IIB T6-L60-L**-120
	Ex d IIC	LUNA-Exd IIC-L100-*** Exd IIC-L**-S**-30 LUNA L2Z1D-****S*



가변형 폴(POLE) 도면





A nighttime photograph of a city skyline. The most prominent feature is a tall, slender skyscraper on the left, covered in a dense grid of blue and white lights. To its right are two shorter, wider skyscrapers, also illuminated with blue and white lights. In the foreground, a paved plaza is visible, with a modern street lamp on the right side that has a large, glowing white globe. A group of people is gathered in the middle ground, and a covered walkway is visible. The sky is dark, and the overall scene is brightly lit by the city lights and the street lamp.

**NON-SPARKING /
DUST PROOF LED LIGHTING FIXTURE
IECEX / ATEX**

LED 비점화 / 분진 방폭등기구



Non-Sparking / Dust Proof LED Lighting Fixture [Ex nR / Ex tb]

- Top rate energy saving
- Excellent Luminous efficiency
- Consistent color rendering
- Light Weight
- Effortless installation
- Quality Waterproof part

LED 비점화 / 분진 방폭등기구

Ex nR IIC T6 Gc / Ex tb IIIC T85°C Db / IP66



PRODUCT CONTENTS

Model No.	SMnRL1Z2_****		
Power	30 W	60 W	80 W
Replaced	MH 80~175 W	MH 175~250 W	MH 300~400 W
Certificate	IEC IECEx Ex KCs ATEX 방폭안전인증 고요율기재	IEC IECEx Ex KCs ATEX 방폭안전인증 고요율기재	IEC IECEx Ex KCs ATEX 방폭안전인증 고요율기재
Luminous Efficiency	180 lm/W ± 10 %	180 lm/W ± 10 %	180 lm/W ± 10 %
Total luminous flux	5 400 lm ± 10 %	10 800 lm ± 10 %	14 400 lm ± 10 %
Weight (Head)	5 kg ± 10 %	5 kg ± 10 %	5 kg ± 10 %

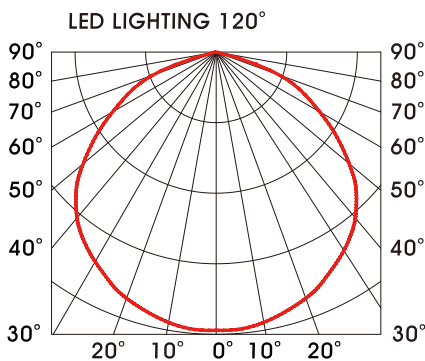
Electrical Characteristics

Type	Built-in SMPS
Protection	Ex nR IIC T6 Gc / Ex tb IIIC T85°C Db
Ambient temp	-40 °C ~ + 50 °C
Beam angle	120 °
Warranty	3 Years
Rated voltage	AC 100 ~ 270 V
Frequency	50 Hz / 60 Hz
Power factor	Min 90%
CCT	5 000 ± 283 K
CRI	80 ± 5 %

Material Characteristics

Enclosure	Die Cast Aluminum Alloy
Front cover	Tempered Glass
ACC	SUS

LIGHT DISTRIBUTION CURVE

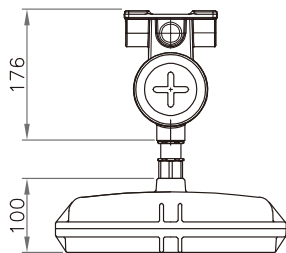
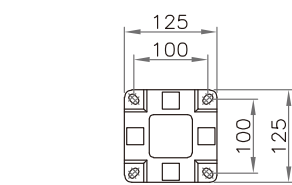


CERTIFICATION

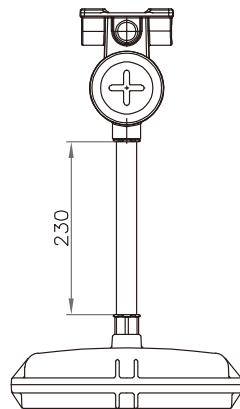




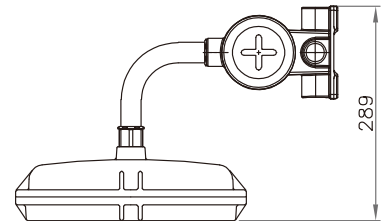
Ex nR IIC T6 Gc / Ex tb IIIC T85°C Db / IP66



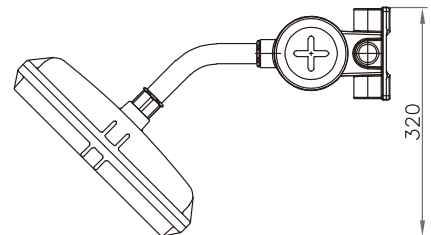
CL : CEILING TYPE



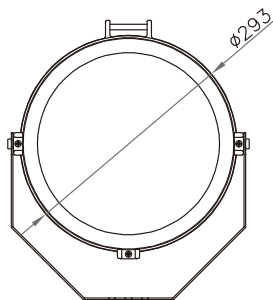
PD : PENDANT TYPE



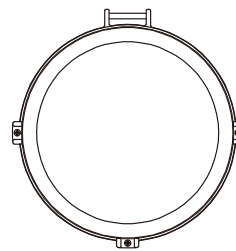
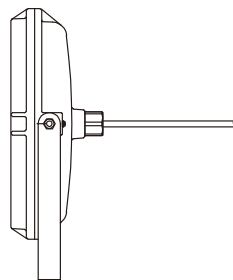
WN : 90°BRACKET TYPE



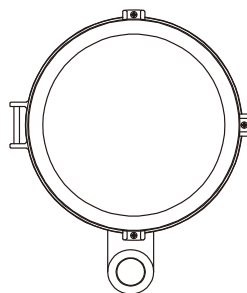
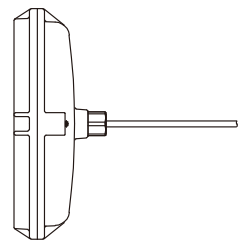
WF : 45°BRACKET TYPE



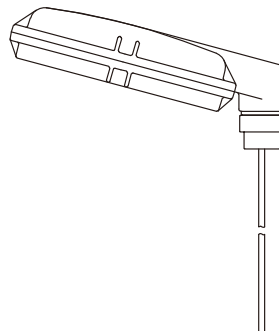
BC : BRACKET TYPE



H0 : Head only Type



HOS : HEAD ONLY STANCHION TYPE





A nighttime photograph of a city skyline. The most prominent feature is a tall, slender skyscraper on the left, covered in a dense grid of blue and white lights. To its right are two other tall buildings, one with a curved facade and another with a more traditional rectangular shape, both also illuminated. In the foreground, a paved plaza is visible with a modern, white street lamp on the right side. A group of people is gathered in the middle ground, and a large, bright, circular light fixture is mounted on a tall pole in the immediate foreground on the right. The sky is dark, and the overall scene is a vibrant display of urban lighting.

**EXPLOSION PROOF /
DUST PROOF LED LIGHTING FIXTURE
IECEX / ATEX**

LED 내압 / 분진 방폭등기구



LED 내압 / 분진 방폭등기구




Explosion Proof / Dust Proof LED Lighting Fixture [Ex db / Ex tb]

Top rate energy saving
Excellent Luminous efficiency
Consistent color rendering
Light Weight
Effortless installation
Quality Waterproof part

Ex db IIC T6 Gb / Ex tb IIIC T85°C Db / IP66



PRODUCT CONTENTS

Model No.	SMCL2Z1G-*****		
Power	30 W	40 W / 50W	80 W
Replaced	MH 80~175 W	MH 80~175 W	MH 175~250 W
Certificate			
Luminous Efficiency	180 lm/W±10 %	180 lm/W±10 %	180 lm/W±10 %
Total luminous flux	5 400 lm ±10 %	8 100 lm / 9 000 lm ±10 %	10 800 lm ±10 %
Weight (Head)	6 kg ±10 %	6 kg ±10 %	6 kg ±10 %

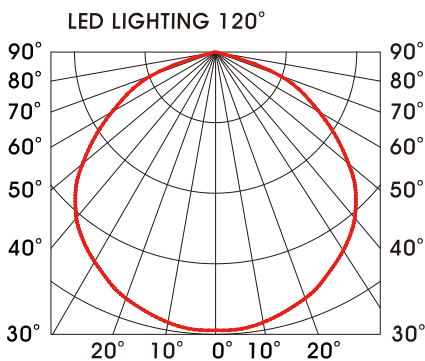
Electrical Characteristics

Type	Built-in SMPS
Protection	Ex db IIC T6 Gb / Ex tb IIIC T85°C Db
Ambient temp	-20 °C ~ + 50 °C
Beam angle	120°
Warranty	3 Years
Rated voltage	AC 100 ~ 240 V
Frequency	50 Hz / 60 Hz
Power factor	Min 90%
CCT	5 000 ± 283 K
CRI	80 ± 5 %

Material Characteristics

Enclosure	Die Cast Aluminum Alloy
Front cover	Tempered Glass
ACC	SUS

LIGHT DISTRIBUTION CURVE

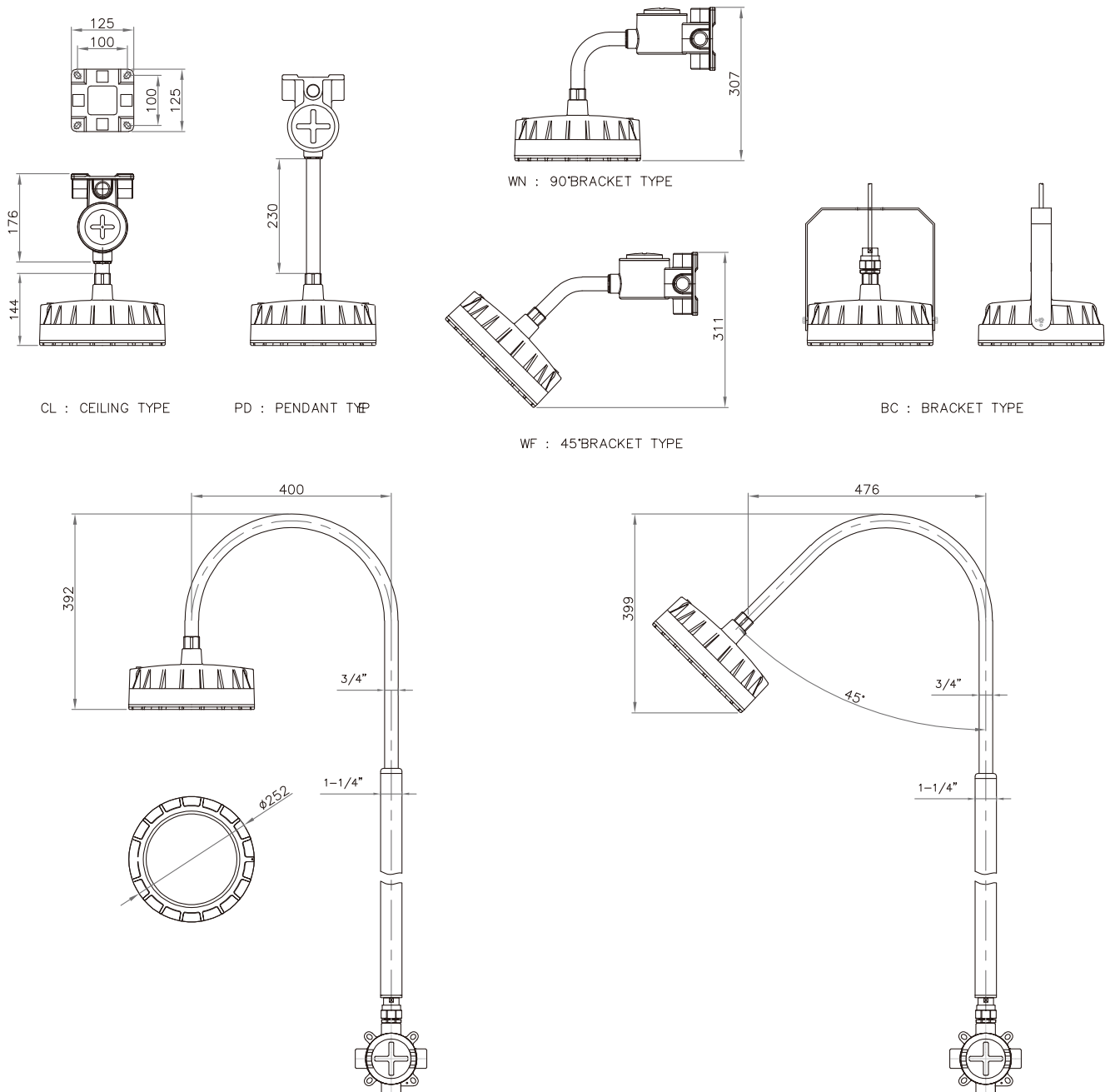


CERTIFICATION



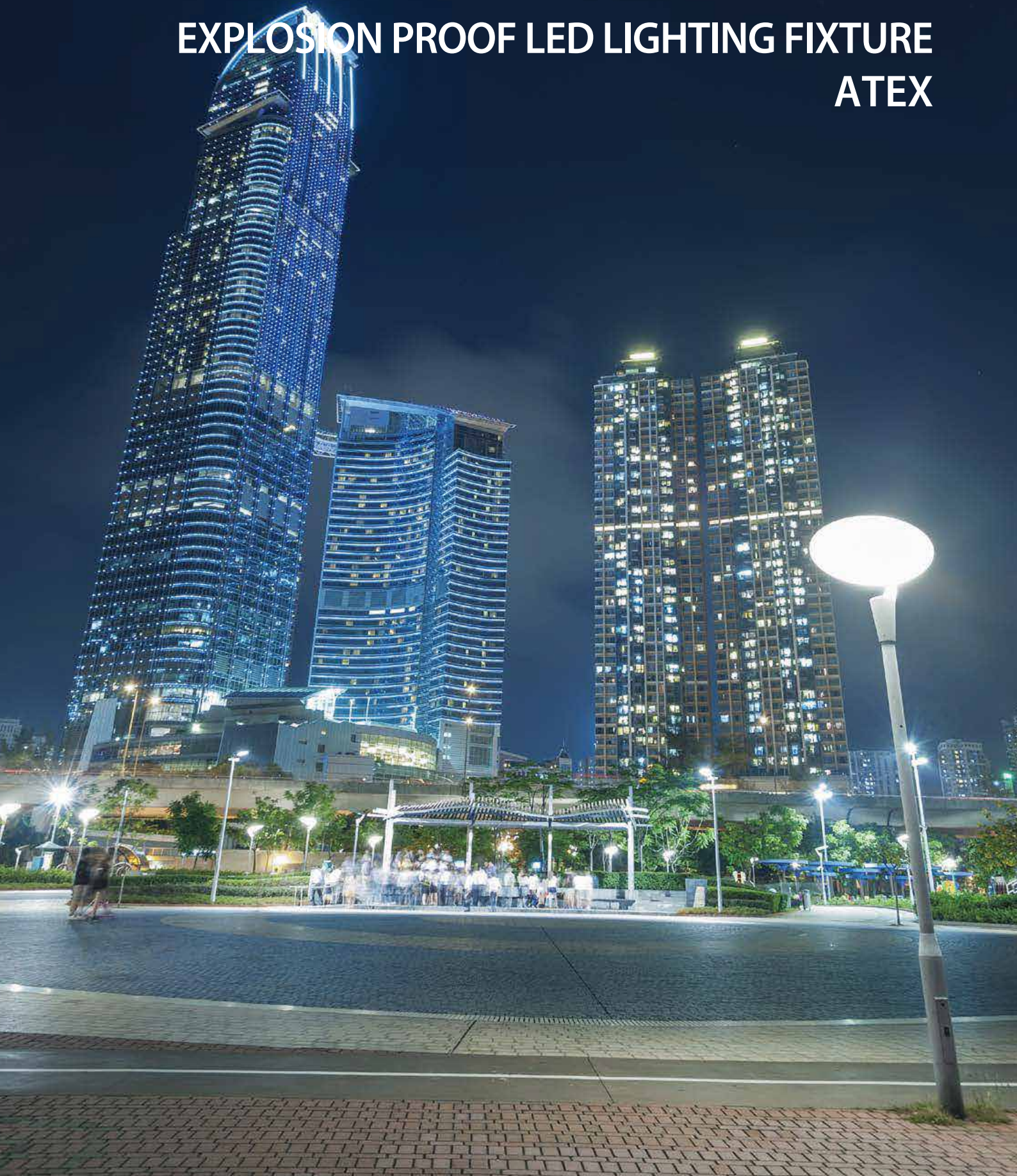


Ex db IIC T6 Gb / Ex tb IIIC T85°C Db / IP66





**EXPLOSION PROOF LED LIGHTING FIXTURE
ATEX**





LED 내압 방폭등기구

Explosion Proof LED Lighting Fixture [Ex db]

- Top rate energy saving
- Excellent Luminous efficiency
- Consistent color rendering
- Light Weight
- Effortless installation
- Quality Waterproof part

Ex db op is IIC T6 Gb



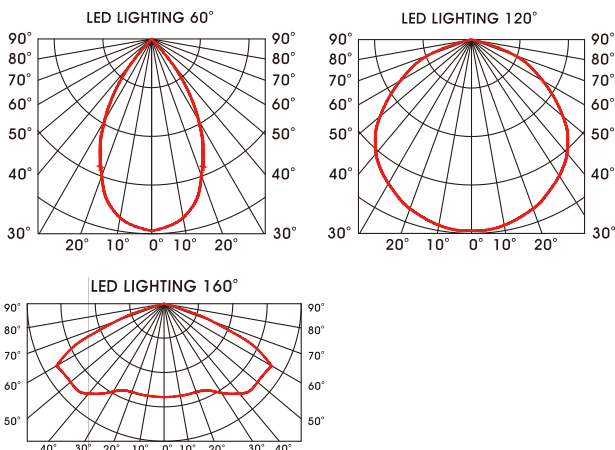
PRODUCT CONTENTS

Model No.	L**		
Power	30 W	60 W	80 W
Replaced	MH 80~175 W	MH 175~250 W	MH 300~400 W
Certificate			
Luminous Efficiency	180 lm/W ±10 %	180 lm/W ±10 %	180 lm/W ±10 %
Total luminous flux	5 400 lm ±10 %	10 800 lm ±10 %	14 400 lm ±10 %
Weight (Head)	10 kg ±10 %	10 kg ±10 %	10 kg ±10 %

Electrical Characteristics	
Type	Built-in SMPS
Protection	Ex db op is IIC T6 Gb
Ambient temp	-20 °C ~ + 40 °C
Beam angle	60 ° / 120 ° / 160 °
Warranty	3 Years
Rated voltage	AC 90~305V
Frequency	50 Hz / 60 Hz
Power factor	Min 90%
CCT	5 000 ± 283 K
CRI	80 ± 5 %

Material Characteristics	
Enclosure	Cast Aluminum Alloy
Front cover	Tempered Glass
ACC	SUS

LIGHT DISTRIBUTION CURVE

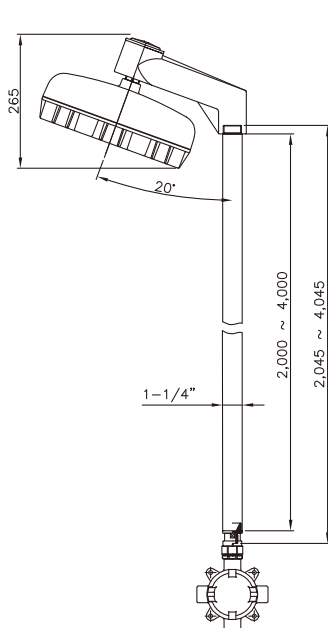
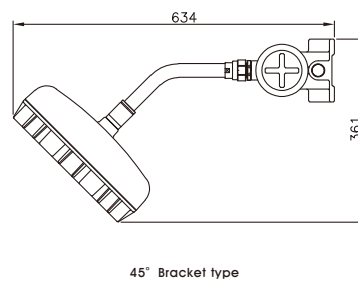
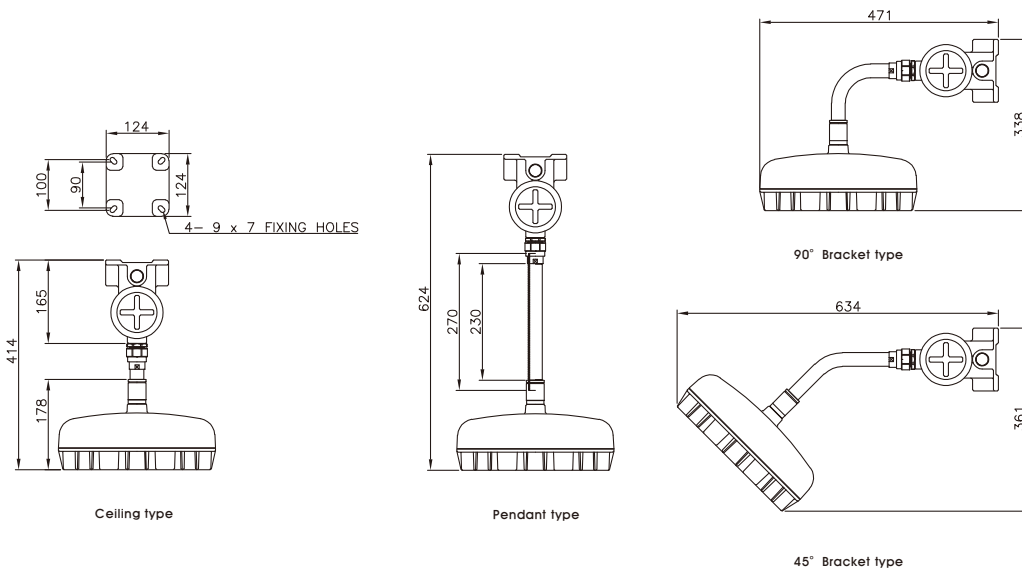


CERTIFICATION

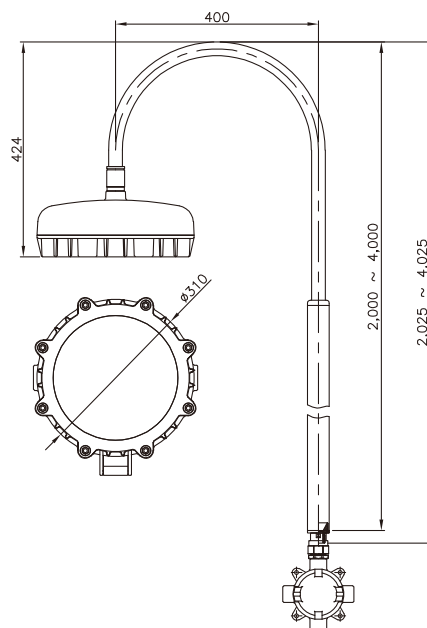




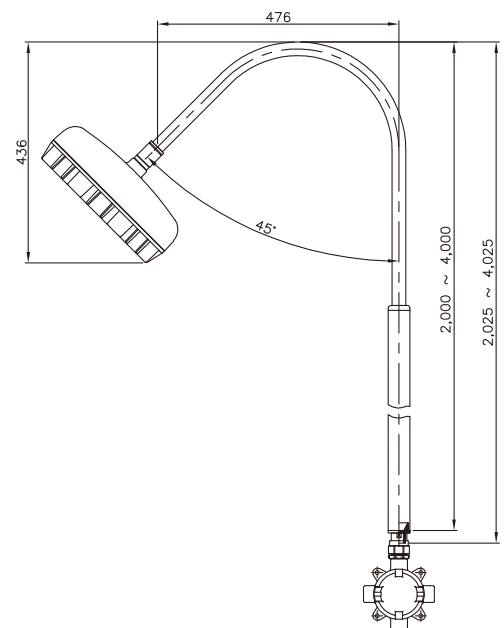
Ex db op is IIC T6 Gb



20° Stanchion type



90° Stanchion type

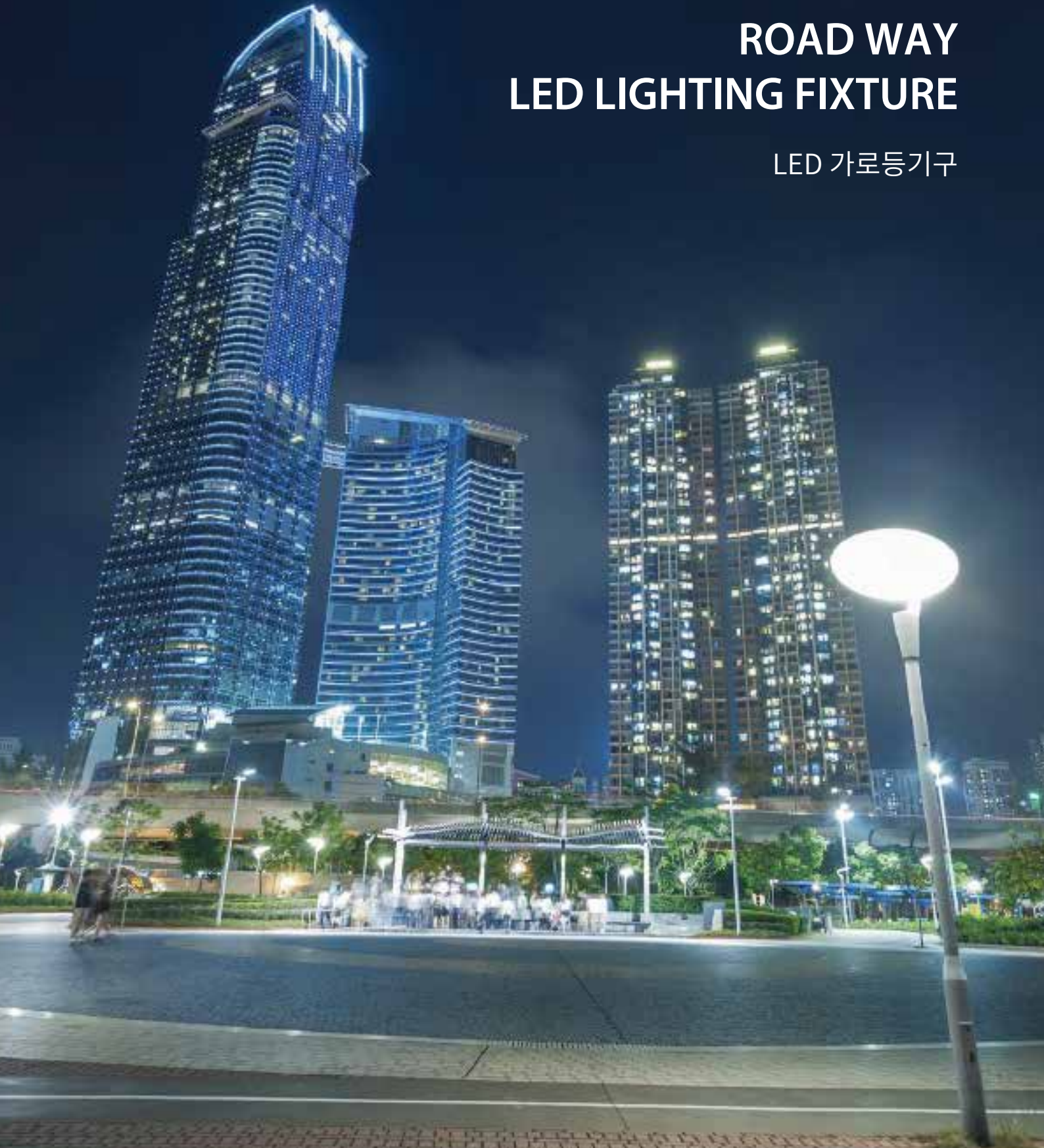


45° Stanchion type



ROAD WAY LED LIGHTING FIXTURE

LED 가로등기구









LED 가로등기구

Road Way LED Lighting Fixture

- Top rate energy saving
- Excellent Luminous efficiency
- Consistent color rendering
- Light Weight
- Effortless installation
- Quality Waterproof part

LED AP*_**

PRODUCT CONTENTS

Model No.	MODULE-****K ***W-AP*_**			
Power	75 W	100 W	125 W	150 W
Certificate				
Luminous efficiency	180 lm/W ±10 %	180 lm/W ±10 %	180 lm/W ±10 %	180 lm/W ±10 %
Total luminous flux	13 500 lm ±10 %	18 000 lm ±10 %	22 500 lm ±10 %	27 000 lm ±10 %
Weight	4 kg ±10 %	4.3 kg ±10 %	4.6 kg ±10 %	5 kg ±10 %
Module	3 module	4 module	5 module	6 module

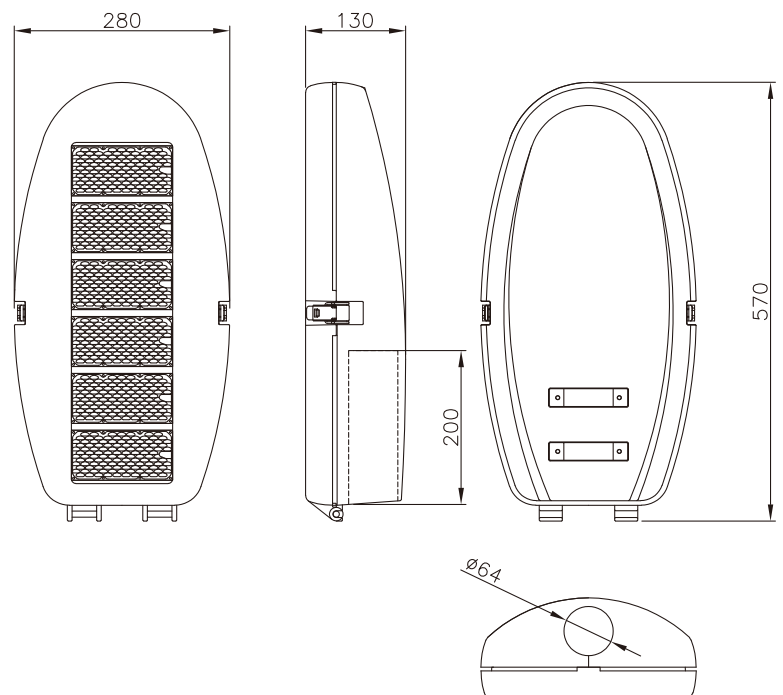
Electrical Characteristics

Type	External / Built-in SMPS
Protection	IP66
Ambient temp	-20 °C ~ + 40 °C
Arm hole size	Ø 64
Warranty	3 Years
Rated voltage	AC 100 ~ 240 V
Frequency	50 Hz / 60 Hz
Power factor	Min 95%
CCT	5 000 ± 283 K
CRI	80 ±5 %

Material Characteristics

Enclosure	Die Cast Aluminum Alloy
ACC	SUS

PRODUCT DRAWING



CERTIFICATION








Road Way LED Lighting Fixture

- Top rate energy saving
- Excellent Luminous efficiency
- Consistent color rendering
- Light Weight
- Effortless installation
- Quality Waterproof part

LED 가로등기구

LED DIANA

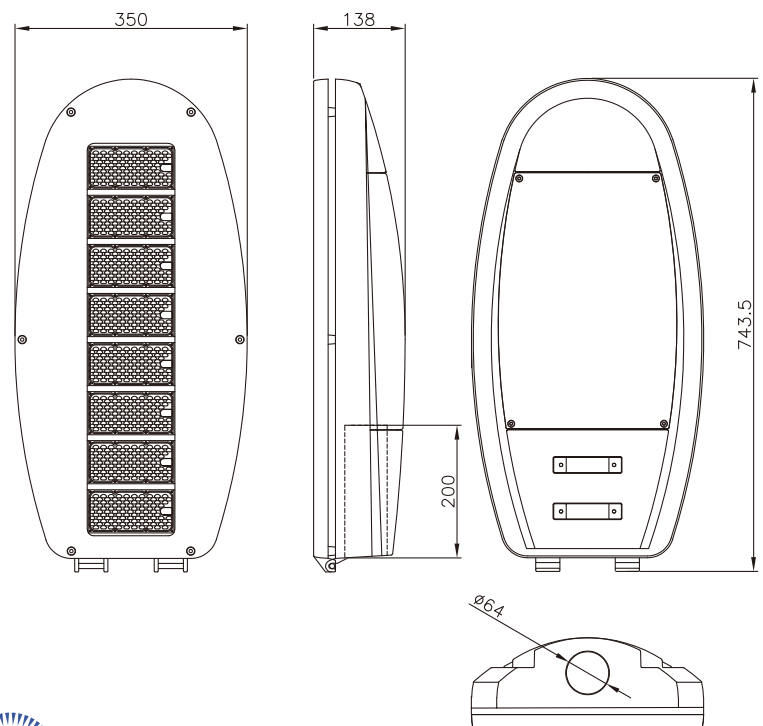
PRODUCT CONTENTS

Model No.	DIA-R*-L***		
Power	100 W	150 W	200 W
Certificate			
Luminous efficiency	180 lm/W ±10 %	180 lm/W ±10 %	180 lm/W ±10 %
Total luminous flux	18 000 lm ±10 %	27 000 lm ±10 %	36 000 lm ±10 %
Weight	8.6 kg ±10 %	9.4 kg ±10 %	10.2 kg ±10 %
Module	4 module	6 module	8 module

Electrical Characteristics	
Type	External / Built-in SMPS
Protection	IP66
Ambient temp	-20 °C ~ + 40 °C
Arm hole size	Ø 64
Warranty	3 Years
Rated voltage	AC 100 ~ 240 V
Frequency	50 Hz / 60 Hz
Power factor	Min 95%
CCT	5 000 ± 283 K
CRI	80 ±5 %

Material Characteristics	
Enclosure	Die Cast Aluminum Alloy
ACC	SUS

PRODUCT DRAWING



CERTIFICATION



Road Way LED Lighting Fixture





LED 가로등기구

- Top rate energy saving
- Excellent Luminous efficiency
- Consistent color rendering
- Light Weight
- Effortless installation
- Quality Waterproof part

LED DIANA

PRODUCT CONTENTS

Model No.	MODULE-5000K 150.1 W-DIA10-RE	DIA-RE-L250S
Power	150.1 W	230 W
Certificate		
Luminous efficiency	180 lm/W $\pm 10\%$	180 lm/W $\pm 10\%$
Total luminous flux	27 000 lm $\pm 10\%$	41 400 lm $\pm 10\%$
Weight	10.5 kg $\pm 10\%$	10.5 kg $\pm 10\%$
Module	10 module	10 module

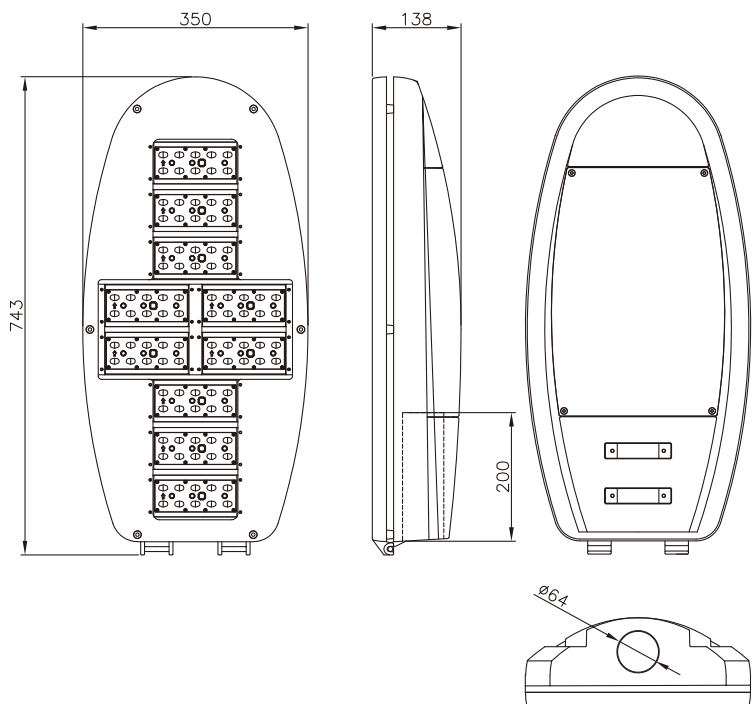
Electrical Characteristics

Type	External / Built-in SMPS
Protection	IP66
Ambient temp	-20 °C ~ + 40 °C
Arm hole size	Ø 64
Warranty	3 Years
Rated voltage	AC 100 ~ 240 V
Frequency	50 Hz / 60 Hz
Power factor	Min 95%
CCT	5 000 \pm 283 K
CRI	80 \pm 5 %

Material Characteristics

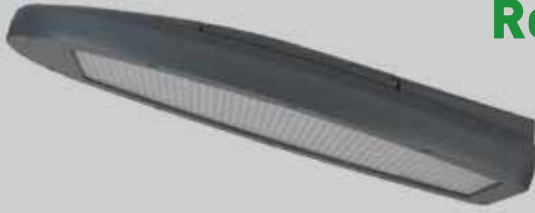
Enclosure	Die Cast Aluminum Alloy
ACC	SUS

PRODUCT DRAWING



CERTIFICATION






















Road Way LED Lighting Fixture

- Top rate energy saving
- Excellent Luminous efficiency
- Consistent color rendering
- Light Weight
- Effortless installation
- Quality Waterproof part

LED 가로등기구

LED DIANA

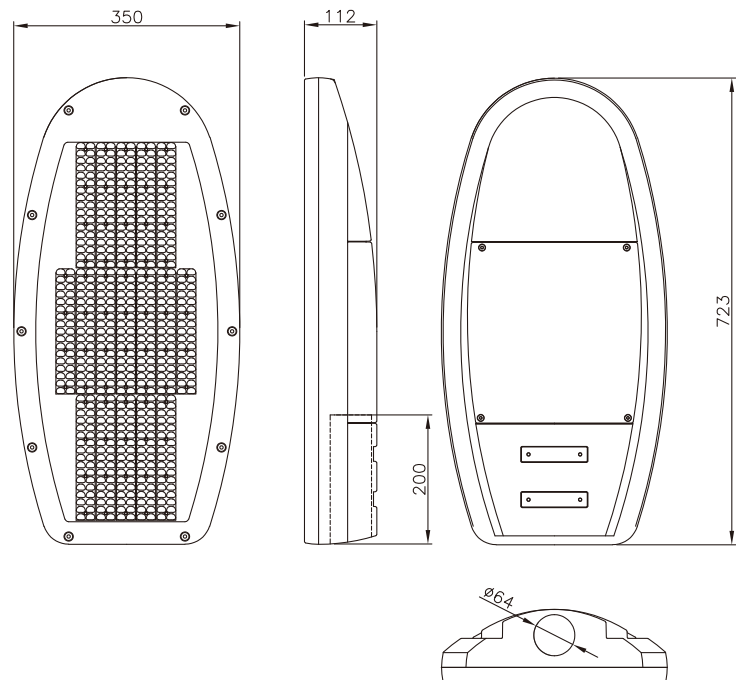
PRODUCT CONTENTS

Model No.	DIA-RD-L***				
Power	70 W	80 W	100 W	120 W	150 W
Certificate	  	   	   	   	 
Luminous efficiency	180 lm/W ±10 %	180 lm/W ±10 %	180 lm/W ±10 %	180 lm/W ±10 %	180 lm/W ±10 %
Total luminous flux	12 600 lm ±10 %	14 400 lm ±10 %	18 000 lm ±10 %	21 600 lm ±10 %	27 000 lm ±10 %
Weight	9 kg ±10 %	9 kg ±10 %	9 kg ±10 %	9 kg ±10 %	9 kg ±10 %

Electrical Characteristics	
Type	External / Built-in SMPS
Protection	IP66
Ambient temp	-20 °C ~ + 40 °C
Arm hole size	Ø 64
Warranty	3 Years
Rated voltage	AC 100 ~ 240 V
Frequency	50 Hz / 60 Hz
Power factor	Min 95%
CCT	5 000 ± 283 K
CRI	80 ±5 %

Material Characteristics	
Enclosure	Die Cast Aluminum Alloy
Front cover	Tempered Glass
ACC	SUS

PRODUCT DRAWING



CERTIFICATION







Road Way LED Lighting Fixture

- Top rate energy saving
- Excellent Luminous efficiency
- Consistent color rendering
- Light Weight
- Effortless installation
- Quality Waterproof part

LED 가로등기구

LED ZEUS SUS

PRODUCT CONTENTS

Model No.	ZESTL ***-50K-SUS*	
Power	100 W	150 W
Certificate		
Luminous efficiency	180 lm/W ± 10 %	180 lm/W ± 10 %
Total luminous flux	18 000 lm ± 10 %	27 000 lm ± 10 %
Weight	4.8 kg ± 10 %	5.6 kg ± 10 %
Module	4 module	6 module

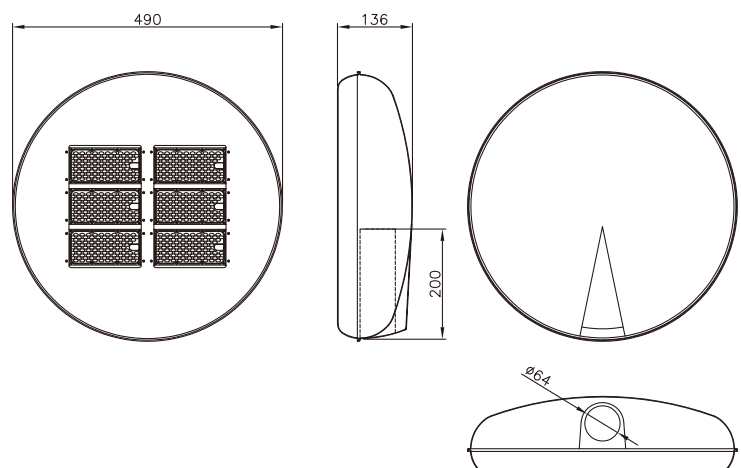
Electrical Characteristics

Type	External / Built-in SMPS
Protection	IP66
Ambient temp	-20 °C ~ + 40 °C
Arm hole size	Ø 64
Warranty	3 Years
Rated voltage	AC 100 ~ 240 V
Frequency	50 Hz / 60 Hz
Power factor	Min 95%
CCT	5 000 ± 283 K
CRI	80 ± 5 %

Material Characteristics

Enclosure	SUS
ACC	SUS

PRODUCT DRAWING



CERTIFICATION













Road Way LED Lighting Fixture

- Top rate energy saving
- Excellent Luminous efficiency
- Consistent color rendering
- Light Weight
- Effortless installation
- Quality Waterproof part

LED 가로등기구

LED GJSTL

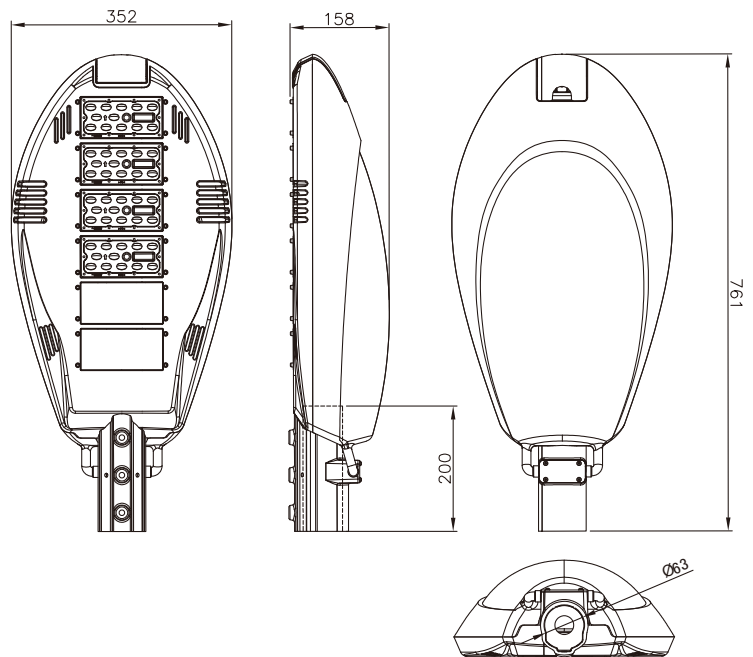
PRODUCT CONTENTS

Model No.	GJSTL ***	
Power	75W	100 W
Certificate	   	   
Luminous efficiency	160 lm/W \pm 10 %	160 lm/W \pm 10 %
Total luminous flux	12 000 lm \pm 10 %	16 000 lm \pm 10 %
Weight	5.7 kg \pm 10 %	6.4 kg \pm 10 %
Module	3 module	4 module

Electrical Characteristics	
Type	External / Built-in SMPS
Protection	IP66
Ambient temp	-20 °C ~ + 40 °C
Arm hole size	Ø 63
Warranty	3 Years
Rated voltage	AC 100 ~ 240 V
Frequency	50 Hz / 60 Hz
Power factor	Min 95%
CCT	5 000 \pm 283 K
CRI	80 \pm 5 %

Material Characteristics	
Enclosure	Die Cast Aluminum Alloy
ACC	SUS

PRODUCT DRAWING



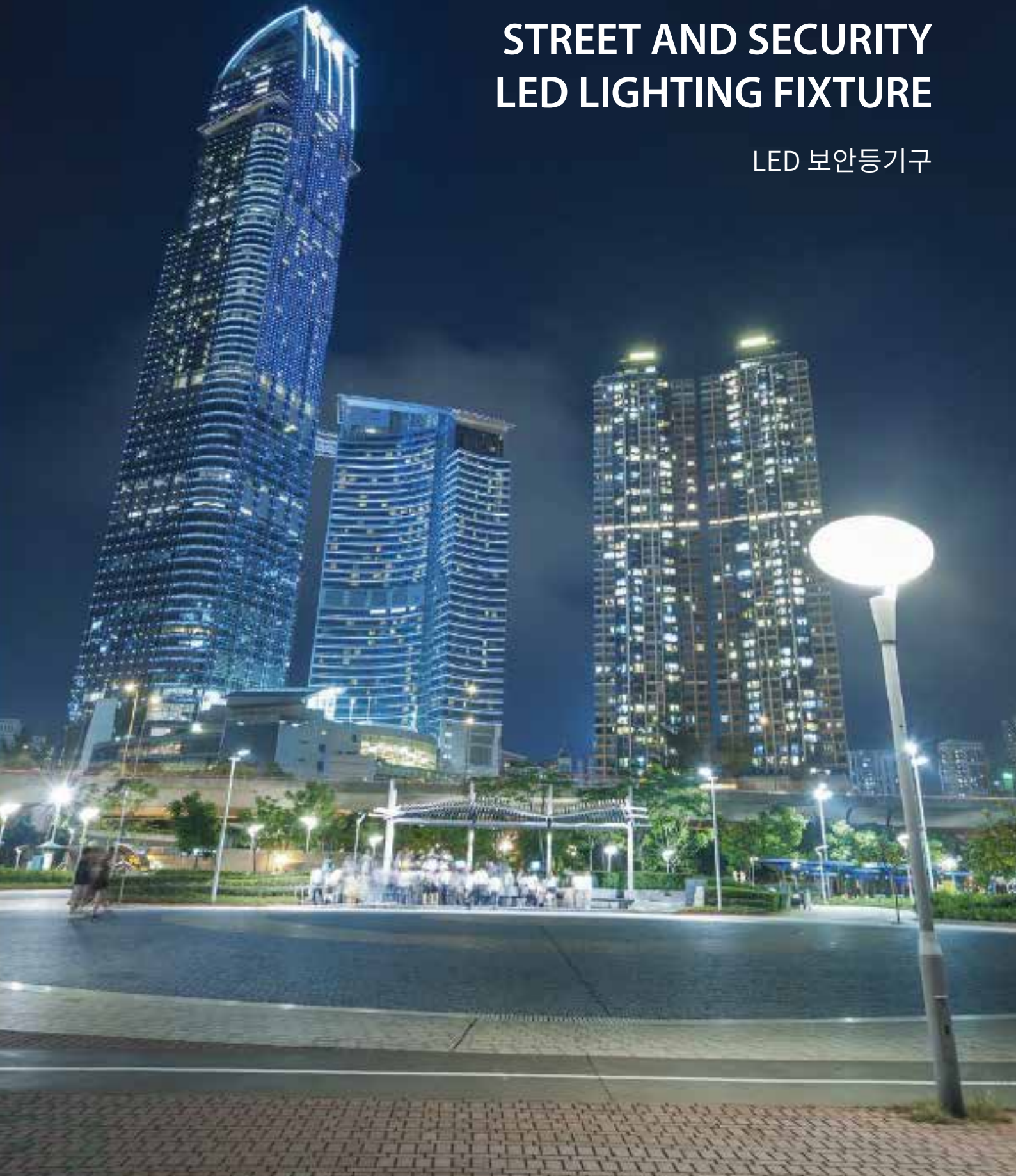
CERTIFICATION





STREET AND SECURITY LED LIGHTING FIXTURE

LED 보안등기구





LED 보안등기구

Street and Security LED Lighting Fixture

- Top rate energy saving
- Excellent Luminous efficiency
- Consistent color rendering
- Light Weight
- Effortless installation
- Quality Waterproof part

LED HERA

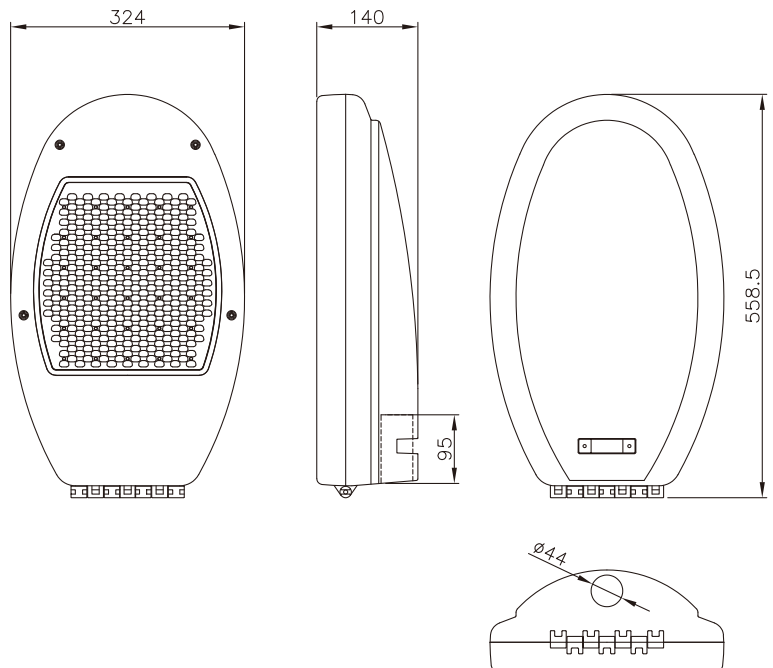
PRODUCT CONTENTS

Model No.	HRA-L5S	HRA-L30	HRA-ST-L50S	HRA-ST-L60
Power	25 W	30 W	50 W	60 W
Certificate				
Luminous efficiency	180 lm/W ±10 %	180 lm/W ±10 %	180 lm/W ±10 %	180 lm/W ±10 %
Total luminous flux	4 500 lm ±10 %	5 400 lm ±10 %	9 000 lm ±10 %	10 800 lm ±10 %
Weight	4kg ±10 %	4 kg ±10 %	4 kg ±10 %	4 kg ±10 %

Electrical Characteristics	
Type	External / Built-in SMPS
Protection	IP66
Ambient temp	-20 °C ~ + 40 °C
Arm hole size	Ø 44
Warranty	3 Years
Rated voltage	AC 100 ~ 240 V
Frequency	50 Hz / 60 Hz
Power factor	Min 95%
CCT	5 000 ± 283 K
CRI	80 ±5 %

Material Characteristics	
Enclosure	Die Cast Aluminum Alloy
ACC	SUS

PRODUCT DRAWING



CERTIFICATION



Street and Security LED Lighting Fixture



Top rate energy saving
Excellent Luminous efficiency
Consistent color rendering
Light Weight
Effortless installation
Quality Waterproof part



LED 보안등기구

LED AP2

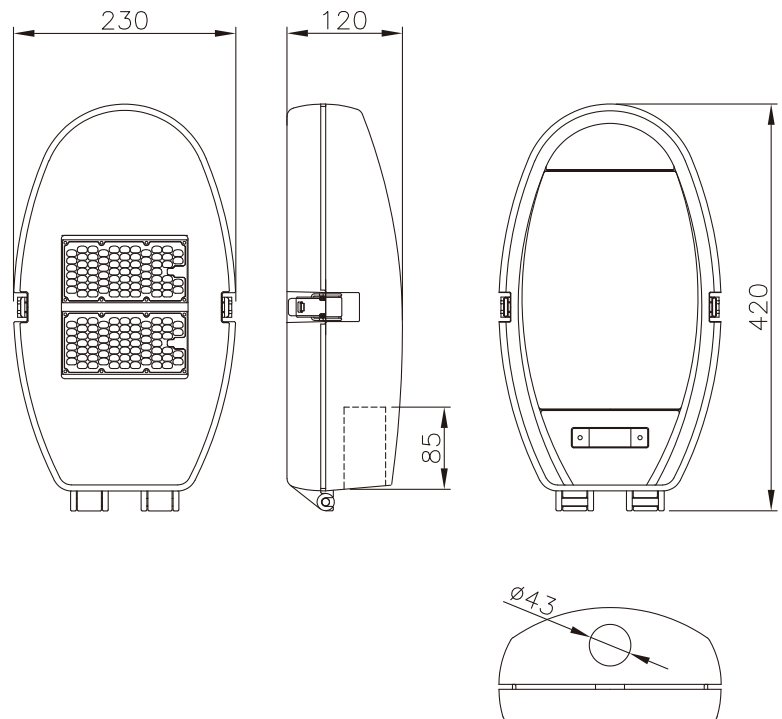
PRODUCT CONTENTS

Model No.	MODULE-****K **W-AP*_**	
Power	25W	50 W
Certificate		
Luminous efficiency	180 lm/W ± 10 %	180 lm/W ± 10 %
Total luminous flux	4 500 lm ± 10 %	9 000 lm ± 10 %
Weight	3.7 kg ± 10 %	4 kg ± 10 %
Module	1 module	2 module

Electrical Characteristics	
Type	External / Built-in SMPS
Protection	IP66
Ambient temp	-20 °C ~ + 40 °C
Arm hole size	Ø 43
Warranty	3 Years
Rated voltage	AC 100 ~ 240 V
Frequency	50 Hz / 60 Hz
Power factor	Min 95%
CCT	5 000 ± 283 K
CRI	80 ± 5 %

Material Characteristics	
Enclosure	Die Cast Aluminum Alloy
ACC	SUS

PRODUCT DRAWING



CERTIFICATION










LED 보안등기구

Street and Security LED Lighting Fixture

- Top rate energy saving
- Excellent Luminous efficiency
- Consistent color rendering
- Light Weight
- Effortless installation
- Quality Waterproof part

LED ZEUS

PRODUCT CONTENTS

Model No.	MODULE_***K **W-ZEUS	
Power	25W	50 W
Certificate		   
Luminous efficiency	180 lm/W ±10 %	180 lm/W ±10 %
Total luminous flux	4 500 lm ±10 %	9 000 lm ±10 %
Weight	3.7 kg ±10 %	3.9 kg ±10 %
Module	1 module	2 module

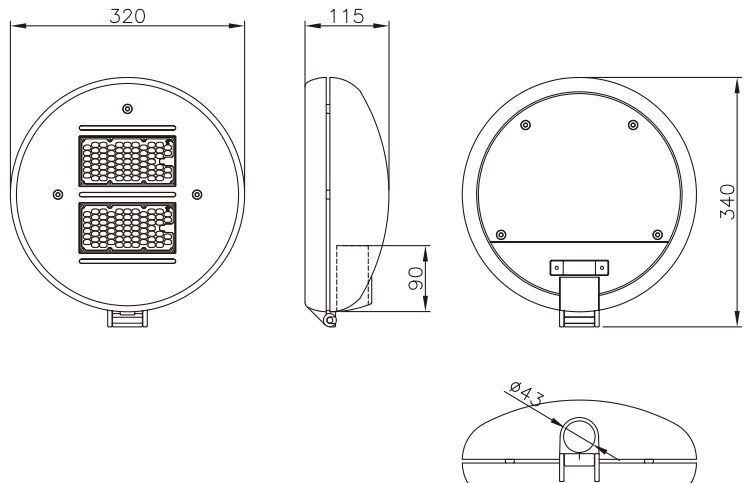
Electrical Characteristics

Type	External / Built-in SMPS
Protection	IP66
Ambient temp	-20 °C ~ + 40 °C
Arm hole size	Ø 43
Warranty	3 Years
Rated voltage	AC 100 ~ 240 V
Frequency	50 Hz / 60 Hz
Power factor	Min 95%
CCT	5 000 ± 283 K
CRI	80 ±5 %

Material Characteristics

Enclosure	Die Cast Aluminum Alloy
ACC	SUS

PRODUCT DRAWING



CERTIFICATION





LED 보안등기구






Street and Security LED Lighting Fixture

- Top rate energy saving
- Excellent Luminous efficiency
- Consistent color rendering
- Light Weight
- Effortless installation
- Quality Waterproof part

Street and Security
LED Lighting Fixture

LED ZEUS SUS

PRODUCT CONTENTS

Model No.	ZESEL ***-50K-SUS*	
Power	25W	50 W
Certificate		   
Luminous efficiency	180 lm/W ± 10 %	180 lm/W ± 10 %
Total luminous flux	4 500 lm ± 10 %	9 000 lm ± 10 %
Weight	2.3 kg ± 10 %	2.6 kg ± 10 %
Module	1 module	2 module

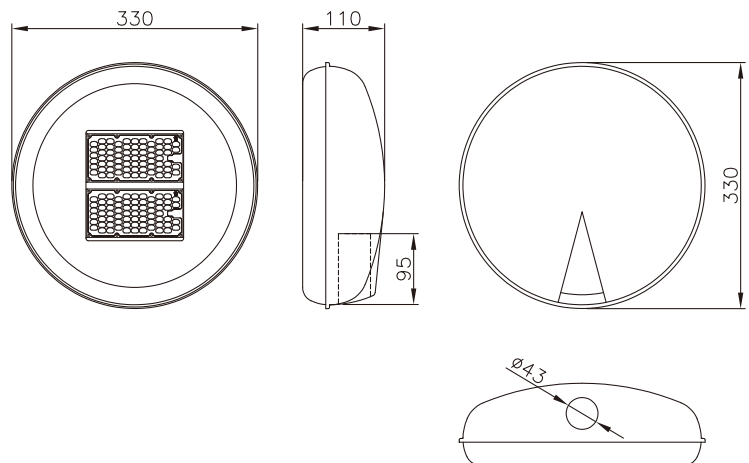
Electrical Characteristics

Type	External / Built-in SMPS
Protection	IP66
Ambient temp	-20 °C ~ + 40 °C
Arm hole size	Ø 43
Warranty	3 Years
Rated voltage	AC 100 ~ 240 V
Frequency	50 Hz / 60 Hz
Power factor	Min 95%
CCT	5 000 \pm 283 K
CRI	80 \pm 5 %

Material Characteristics

Enclosure	SUS
ACC	SUS

PRODUCT DRAWING



CERTIFICATION







Street and Security LED Lighting Fixture

- Top rate energy saving
- Excellent Luminous efficiency
- Consistent color rendering
- Light Weight
- Effortless installation
- Quality Waterproof part

LED 보안등기구

LED GJSEL

PRODUCT CONTENTS

Model No.	GJSEL ***		
Power	50 W	60 W	70 W
Certificate			
Luminous efficiency	160 lm/W ± 10 %	160 lm/W ± 10 %	160 lm/W ± 10 %
Total luminous flux	8 000 lm ± 10 %	9 600 lm ± 10 %	11 200 lm ± 10 %
Weight	3 kg ± 10 %	3.5 kg ± 10 %	3.5 kg ± 10 %
Module	2 module	3 module	3 module

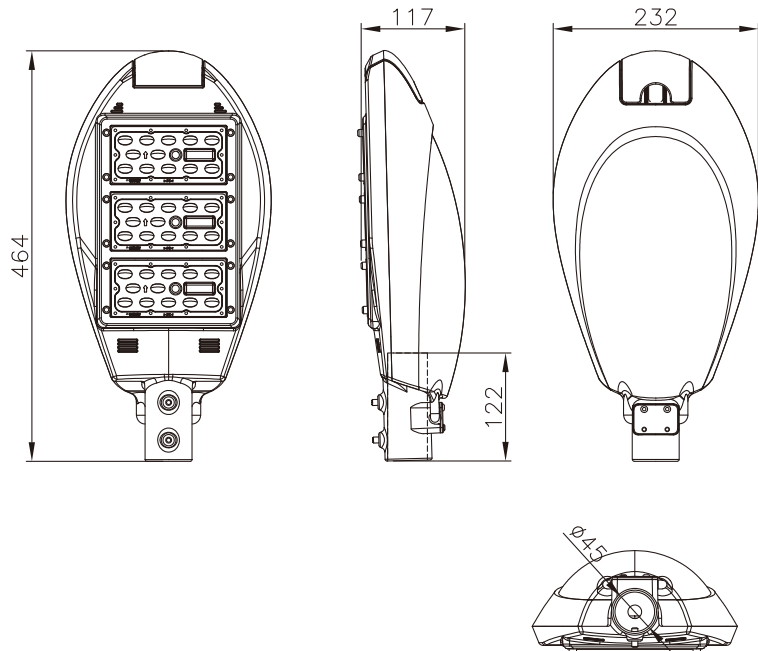
Electrical Characteristics

Type	External / Built-in SMPS
Protection	IP66
Ambient temp	-20 °C ~ + 40 °C
Arm hole size	Ø 45
Warranty	3 Years
Rated voltage	AC 100 ~ 240 V
Frequency	50 Hz / 60 Hz
Power factor	Min 95%
CCT	5 000 ± 283 K
CRI	80 ± 5 %

Material Characteristics

Enclosure	Die Cast Aluminum Alloy
ACC	SUS

PRODUCT DRAWING

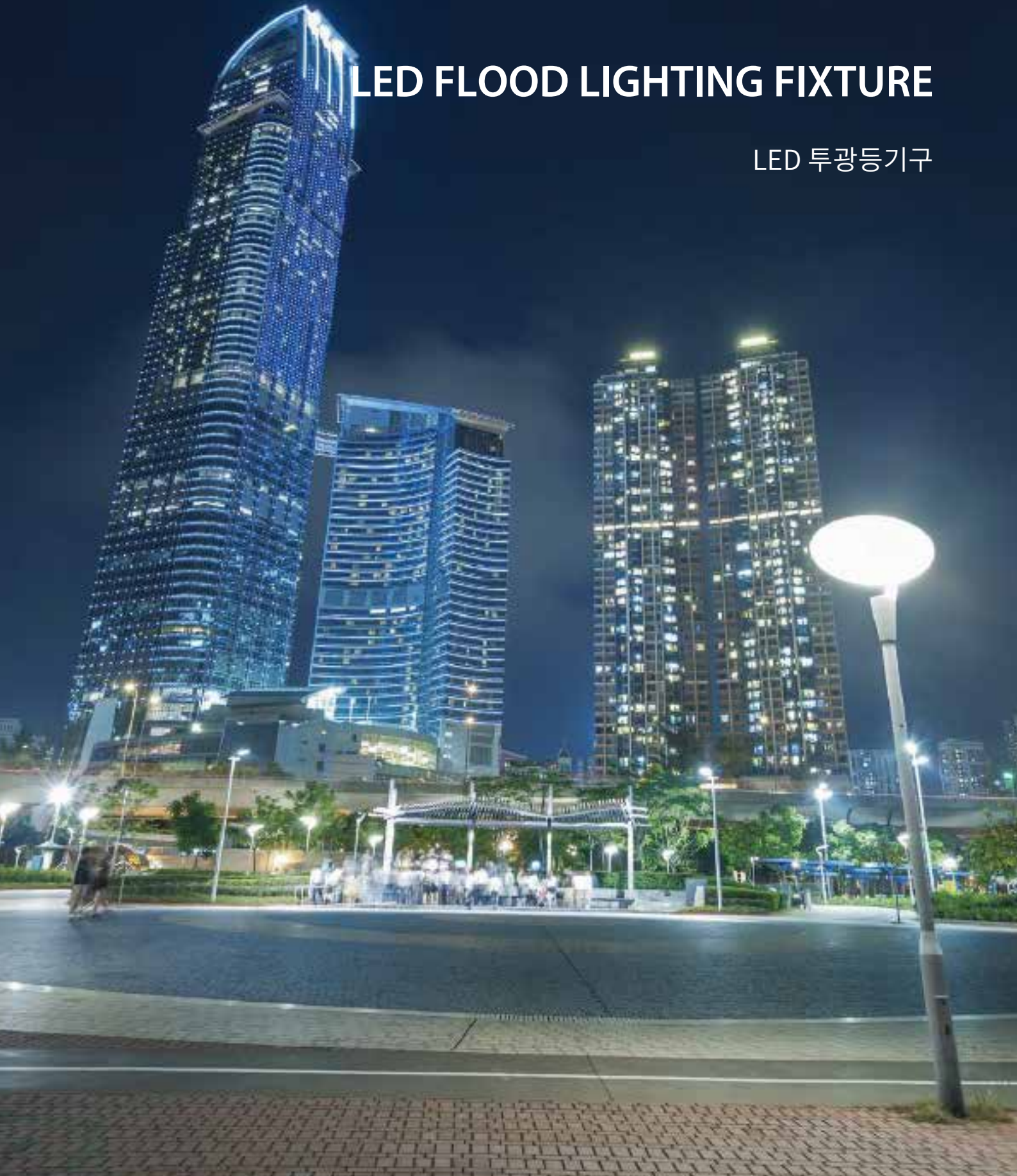


CERTIFICATION



LED FLOOD LIGHTING FIXTURE

LED 투광등기구









LED 투광등기구

LED Flood Lighting Fixture

Top rate energy saving
Excellent Luminous efficiency
Consistent color rendering
Light Weight
Effortless installation
Quality Waterproof part

LED nR-II

PRODUCT CONTENTS

Model No.	nR-II T6-L**			
Power	30 W	45 W	60 W	80 W
Certificate				
Luminous efficiency	180 lm/W ±10 %	180 lm/W ±10 %	180 lm/W ±10 %	180 lm/W ±10 %
Total luminous flux	5 400 lm ±10 %	8 100 lm ±10 %	10 800 lm ±10 %	14 400 lm ±10 %
Weight(Head)	5 kg ±10 %	5 kg ±10 %	5 kg ±10 %	5 kg ±10 %

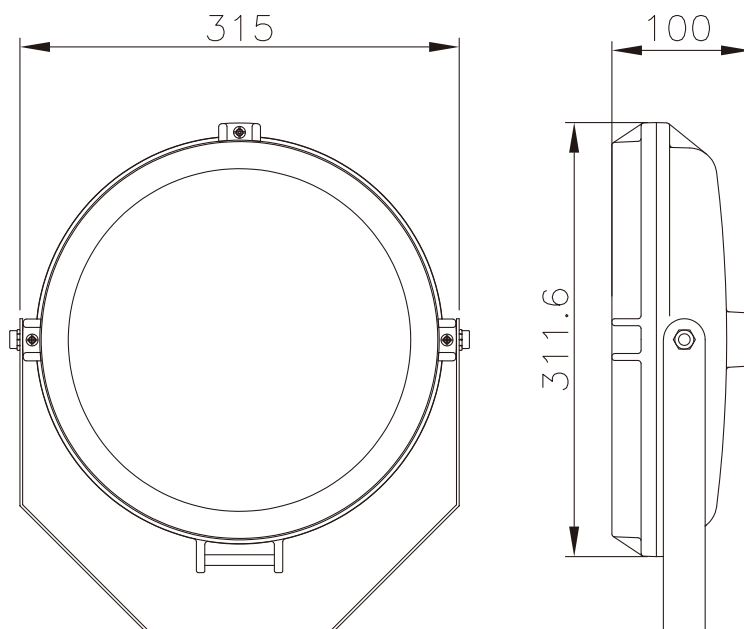
Electrical Characteristics

Type	External / Built-in SMPS
Protection	IP66
Ambient temp	-20 °C ~ + 40 °C
Beam angle	120 °
Warranty	3 Years
Rated voltage	AC 100 ~ 240 V
Frequency	50 Hz / 60 Hz
Power factor	Min 95%
CCT	5 000 ± 283 K
CRI	80 ±5 %

Material Characteristics

Enclosure	Die Cast Aluminum Alloy
Front cover	Tempered Glass
ACC	SUS

PRODUCT DRAWING



CERTIFICATION












LED 투광등기구

LED Flood Lighting Fixture

- Top rate energy saving
- Excellent Luminous efficiency
- Consistent color rendering
- Light Weight
- Effortless installation
- Quality Waterproof part

LED nR-FL

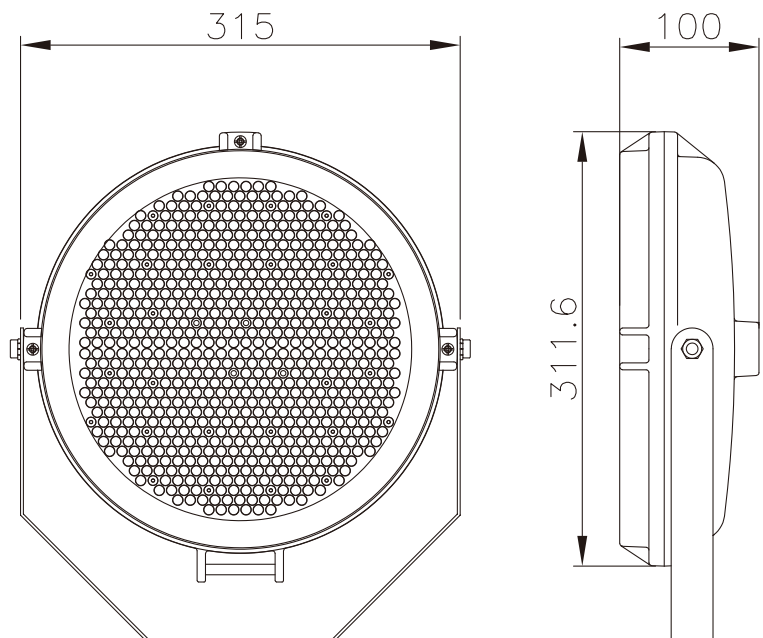
PRODUCT CONTENTS

Model No.	nR-FL-L**_60			
Power	30 W	45 W	60 W	80 W
Certificate			   	
Luminous efficiency	180 lm/W ±10 %	180 lm/W ±10 %	180 lm/W ±10 %	180 lm/W ±10 %
Total luminous flux	5 400 lm ±10 %	8 100 lm ±10 %	10 800 lm ±10 %	14 400 lm ±10 %
Weight(Head)	5 kg ±10 %	5 kg ±10 %	5 kg ±10 %	5 kg ±10 %

Electrical Characteristics	
Type	External / Built-in SMPS
Protection	IP66
Ambient temp	-20 °C ~ + 40 °C
Beam angle	60 °
Warranty	3 Years
Rated voltage	AC 100 ~ 240 V
Frequency	50 Hz / 60 Hz
Power factor	Min 95%
CCT	5 000 ± 283 K
CRI	80 ±5 %

Material Characteristics	
Enclosure	Die Cast Aluminum Alloy
Front cover	Tempered Glass
ACC	SUS

PRODUCT DRAWING



CERTIFICATION





LED 투광등기구

LED Flood Lighting Fixture

- Top rate energy saving
- Excellent Luminous efficiency
- Consistent color rendering
- Light Weight
- Effortless installation
- Quality Waterproof part

LED LUNA

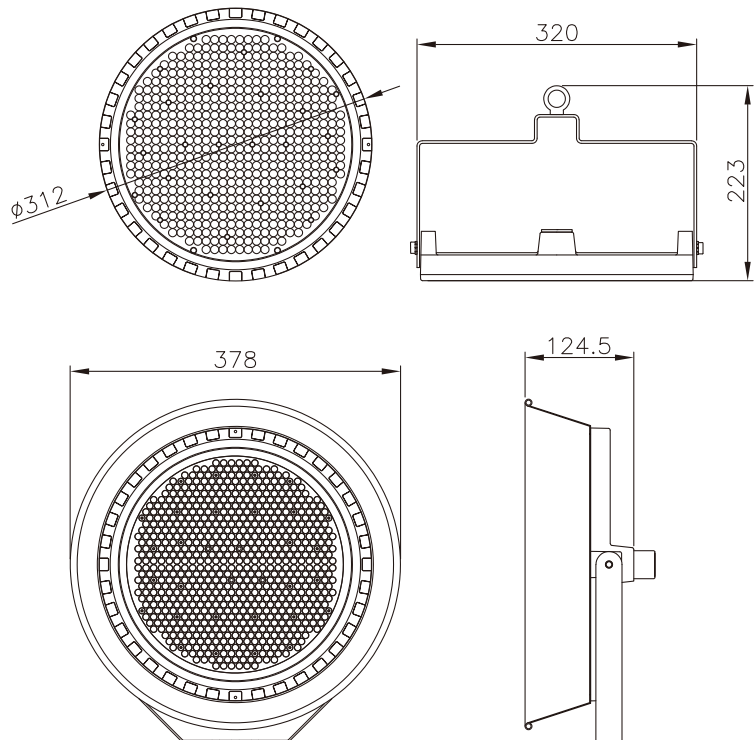
PRODUCT CONTENTS

Model No.	LUNA-F*_L***			
Power	80 W	90 W	100 W	120 W
Certificate				
Luminous efficiency	180 lm/W ±10 %	180 lm/W ±10 %	180 lm/W ±10 %	180 lm/W ±10 %
Total luminous flux	14 400 lm ±10 %	16 200 lm ±10 %	18 000 lm ±10 %	21 600 lm ±10 %
Weight(Head)	3.2 kg ±10 %	3.2 kg ±10 %	3.2 kg ±10 %	3.2 kg ±10 %

Electrical Characteristics	
Type	External SMPS
Protection	IP66
Ambient temp	-20 °C ~ + 40 °C
Beam angle	60° / 120°
Warranty	3 Years
Rated voltage	AC 100 ~ 240 V
Frequency	50 Hz / 60 Hz
Power factor	Min 95%
CCT	5 000 ± 283 K
CRI	80 ±5 %

Material Characteristics	
Enclosure	Die Cast Aluminum Alloy
Front cover	Tempered Glass
ACC	SUS

PRODUCT DRAWING



Only 80W TYPE

CERTIFICATION











LED 투광등기구

LED Flood Lighting Fixture

- Top rate energy saving
- Excellent Luminous efficiency
- Consistent color rendering
- Light Weight
- Effortless installation
- Quality Waterproof part

LED LUNA-nR Reflector TYPE

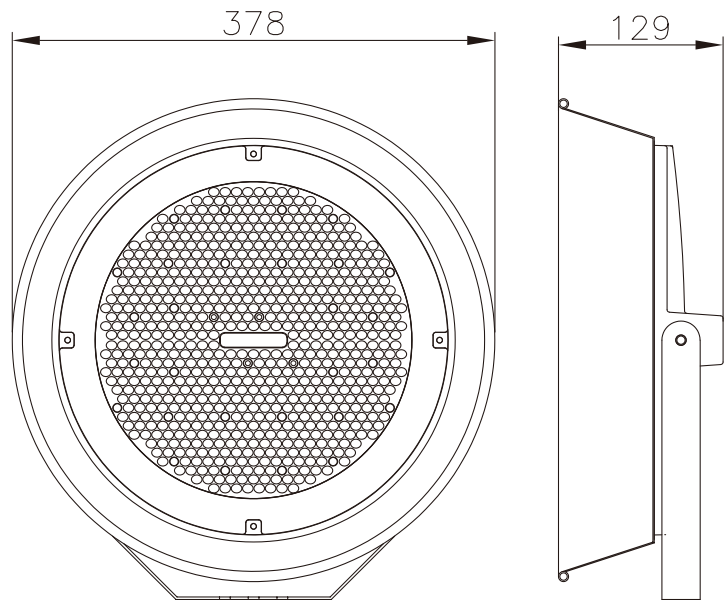
PRODUCT CONTENTS

Model No.	LUNA-nR-***R		
Power	65 W	100 W	150 W
Certificate	   		
Luminous efficiency	180 lm/W ± 10 %	180 lm/W ± 10 %	180 lm/W ± 10 %
Total luminous flux	11 700 lm ± 10 %	18 000 lm ± 10 %	27 000 lm ± 10 %
Weight(Head)	2.5 % ± 10 %	2.5 % ± 10 %	2.5 % ± 10 %

Electrical Characteristics	
Type	External SMPS
Protection	IP66
Ambient temp	-20 °C ~ + 40 °C
Beam angle	60° / 120°
Warranty	3 Years
Rated voltage	AC 100 ~ 240 V
Frequency	50 Hz / 60 Hz
Power factor	Min 95%
CCT	5 000 ± 283 K
CRI	80 ± 5 %

Material Characteristics	
Enclosure	Die Cast Aluminum Alloy
Front cover	Tempered Glass
ACC	SUS

PRODUCT DRAWING



CERTIFICATION









LED 투광등기구

LED Flood Lighting Fixture

Top rate energy saving
Excellent Luminous efficiency
Consistent color rendering
Light Weight
Effortless installation
Quality Waterproof part

LED LUNA-nR

PRODUCT CONTENTS

Model No.	LUNA-nR-L***_***			
Power	80 W	100 W	120 W	150 W
Certificate				
Luminous efficiency	180 lm/W ± 10 %	180 lm/W ± 10 %	180 lm/W ± 10 %	180 lm/W ± 10 %
Total luminous flux	14 400 lm ± 10 %	18 000 lm ± 10 %	21 600 lm ± 10 %	27 000 lm ± 10 %
Weight(Head)	2.3 kg ± 10 %	2.3 kg ± 10 %	2.3 kg ± 10 %	2.3 kg ± 10 %

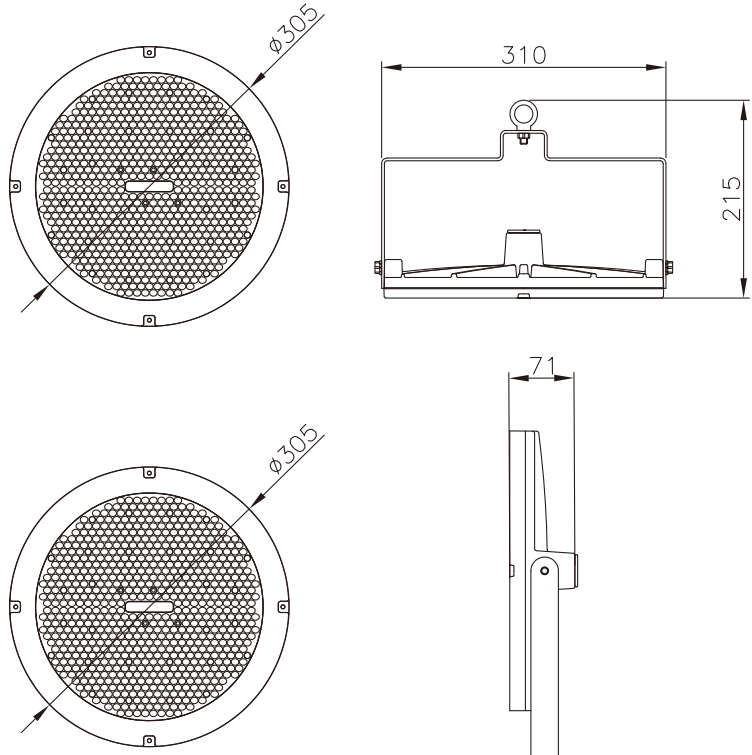
Electrical Characteristics

Type	External SMPS
Protection	IP66
Ambient temp	-20 °C ~ + 40 °C
Beam angle	60 ° / 120 °
Warranty	3 Years
Rated voltage	AC 100 ~ 240 V
Frequency	50 Hz / 60 Hz
Power factor	Min 95%
CCT	5 000 ± 283 K
CRI	80 ± 5 %

Material Characteristics

Enclosure	Die Cast Aluminum Alloy
Front cover	Tempered Glass
ACC	SUS

PRODUCT DRAWING



CERTIFICATION





LED 투광등기구

LED Flood Lighting Fixture

- Top rate energy saving
- Excellent Luminous efficiency
- Consistent color rendering
- Light Weight
- Effortless installation
- Quality Waterproof part

LED AUM(횡단보도등)

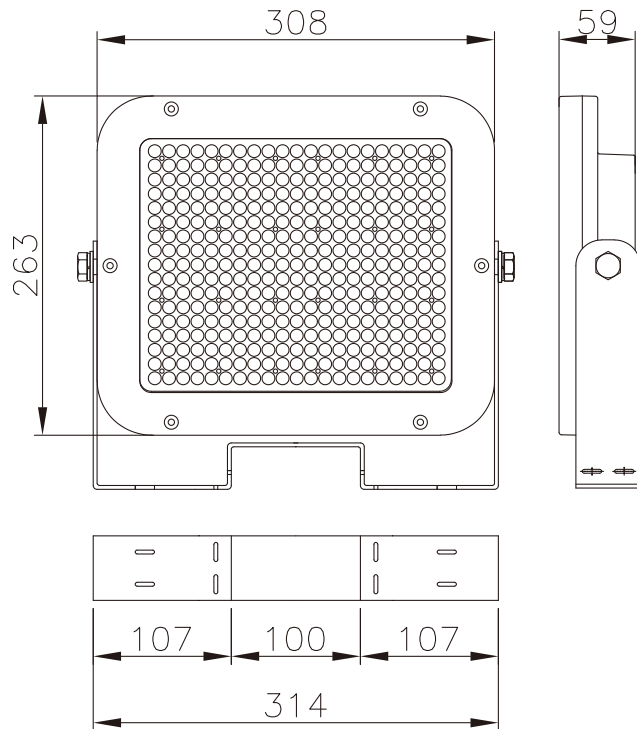
PRODUCT CONTENTS

Model No.	AUM-**-L**-***			
Power	40 W	50 W	60 W	90 W
Certificate				
Luminous efficiency	180 lm/W ± 10 %	180 lm/W ± 10 %	180 lm/W ± 10 %	180 lm/W ± 10 %
Total luminous flux	7 200 lm ± 10 %	9 000 lm ± 10 %	10 800 lm ± 10 %	16 200 lm ± 10 %
Weight	6 kg ± 10 %	6.5 kg ± 10 %	6.5 kg ± 10 %	7 kg ± 10 %

Electrical Characteristics	
Type	External SMPS
Protection	IP66
Ambient temp	-20 °C ~ + 40 °C
Beam angle	20° / 60° / 120°
Warranty	3 Years
Rated voltage	AC 100 ~ 240 V
Frequency	50 Hz / 60 Hz
Power factor	Min 95%
CCT	5 000 ± 283 K
CRI	80 ± 5 %

Material Characteristics	
Enclosure	Cast Aluminum Alloy
Front cover	Tempered Glass
ACC	SUS

PRODUCT DRAWING



CERTIFICATION








LED 투광등기구

LED Flood Lighting Fixture

Top rate energy saving
 Excellent Luminous efficiency
 Consistent color rendering
 Light Weight
 Effortless installation
 Quality Waterproof part

LED WPFS

PRODUCT CONTENTS

Model No.	WPFS-H-L ***		
Power	60 W	80 W	100 W
Certificate			
Luminous efficiency	150 lm/W $\pm 10\%$	150 lm/W $\pm 10\%$	150 lm/W $\pm 10\%$
Total luminous flux	9 000 lm $\pm 10\%$	12 000 lm $\pm 10\%$	15 000 lm $\pm 10\%$
Weight(Head)	1.25 kg $\pm 10\%$	1.25 kg $\pm 10\%$	1.25 kg $\pm 10\%$

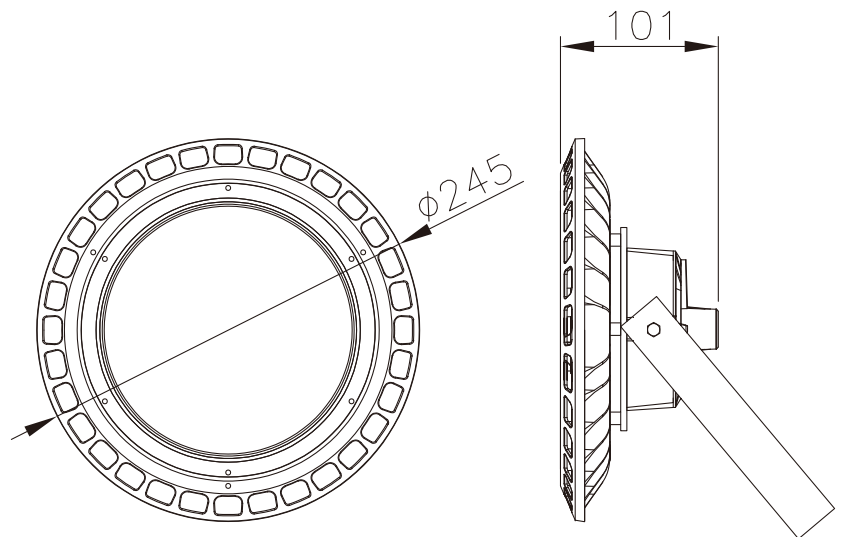
Electrical Characteristics

Type	External SMPS
Protection	IP66
Ambient temp	-20 °C ~ + 40 °C
Beam angle	120 °
Warranty	3 Years
Rated voltage	AC 220 V
Frequency	60 Hz
Power factor	Min 90%
CCT	5 700 \pm 283 K
CRI	80 \pm 5 %

Material Characteristics

Enclosure	Die Cast Aluminum Alloy
Front cover	PC
ACC	STEEL

PRODUCT DRAWING



CERTIFICATION



한국표준협회



적합등록필증

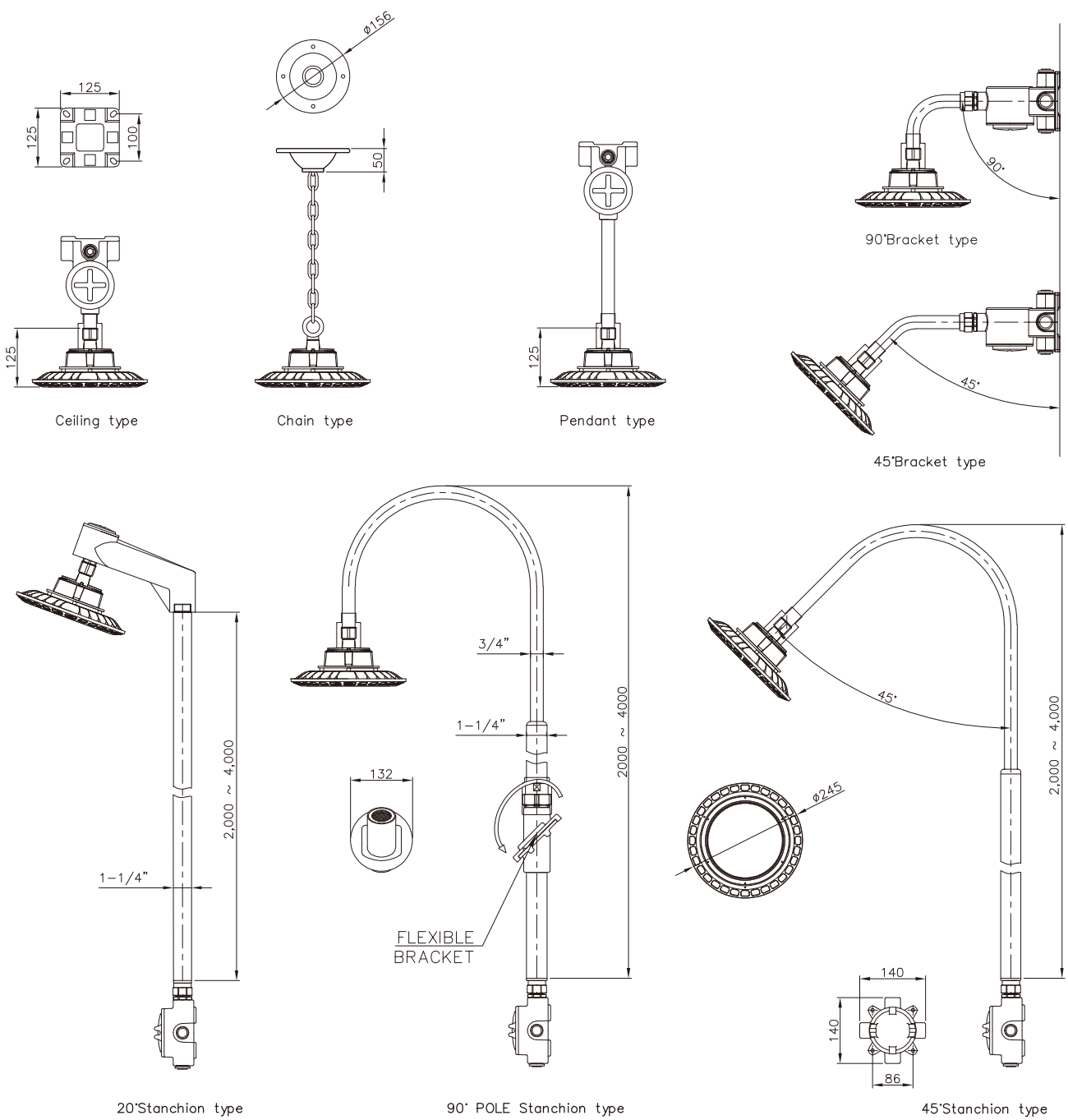
녹색인증
Green Certification

여성기업





LED WPFS






LED 투광등기구

LED Flood Lighting Fixture

Top rate energy saving
 Excellent Luminous efficiency
 Consistent color rendering
 Light Weight
 Effortless installation
 Quality Waterproof part

LED WPFM

PRODUCT CONTENTS

Model No.	WPFM-H-L120
Power	120W
Certificate	 한국표준협회 고효율기자재
Luminous efficiency	150 lm/W $\pm 10\%$
Total luminous flux	18 000 lm $\pm 10\%$
Weight(Head)	2 kg $\pm 10\%$

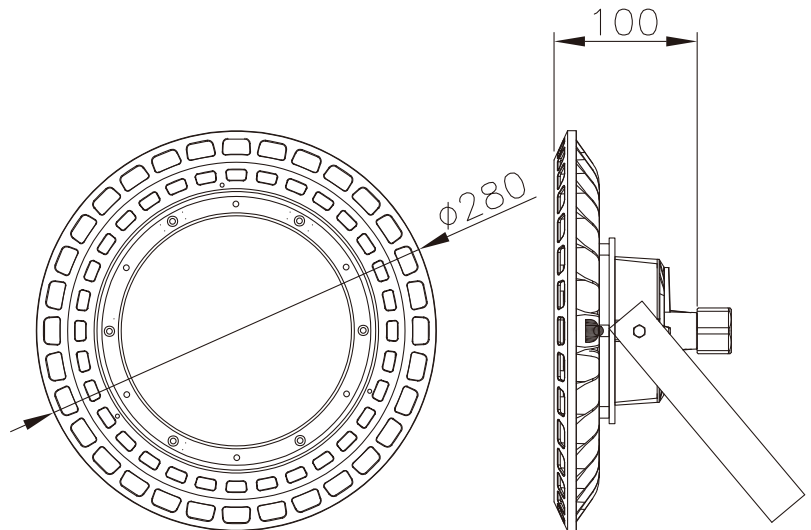
Electrical Characteristics

Type	External SMPS
Protection	IP66
Ambient temp	-20 °C ~ + 40 °C
Beam angle	120 °
Warranty	3 Years
Rated voltage	AC 220 V
Frequency	60 Hz
Power factor	Min 90%
CCT	5 700 \pm 283 K
CRI	80 \pm 5 %

Material Characteristics

Enclosure	Die Cast Aluminum Alloy
Front cover	PC
ACC	STEEL

PRODUCT DRAWING



CERTIFICATION







LED 투광등기구

LED Flood Lighting Fixture

Top rate energy saving
Excellent Luminous efficiency
Consistent color rendering
Light Weight
Effortless installation
Quality Waterproof part

LED WPF*

PRODUCT CONTENTS

Model No.	WPFM-H-L150	WPFL-H-L200
Power	150 W	200 W
Certificate	 한국표준협회 고품질인증	 한국표준협회 고품질인증
Luminous efficiency	150 lm/W $\pm 10\%$	150 lm/W $\pm 10\%$
Total luminous flux	22 500 lm $\pm 10\%$	30 000 lm $\pm 10\%$
Weight(Head)	2.15 kg $\pm 10\%$	2.15 kg $\pm 10\%$

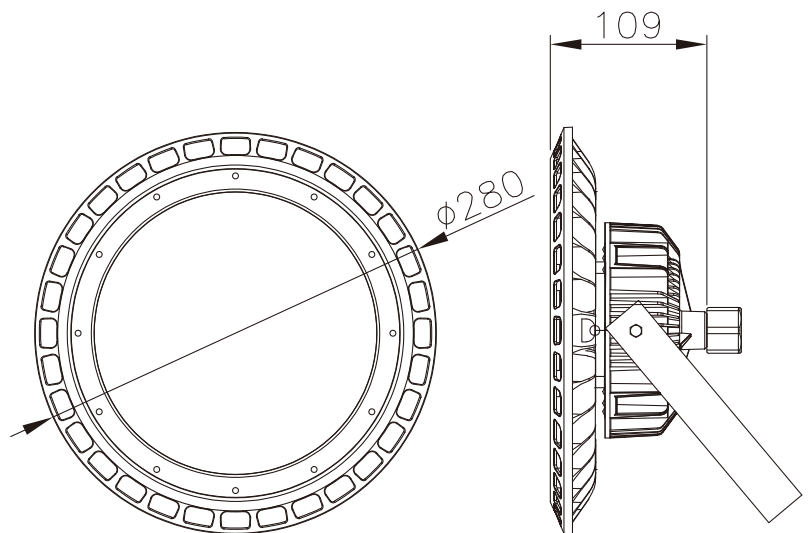
Electrical Characteristics

Type	External SMPS
Protection	IP66
Ambient temp	-20 °C ~ + 40 °C
Beam angle	120 °
Warranty	3 Years
Rated voltage	AC 220 V
Frequency	60 Hz
Power factor	Min 90%
CCT	5 700 \pm 283 K
CRI	80 \pm 5 %

Material Characteristics

Enclosure	Die Cast Aluminum Alloy
Front cover	PC
ACC	STEEL

PRODUCT DRAWING

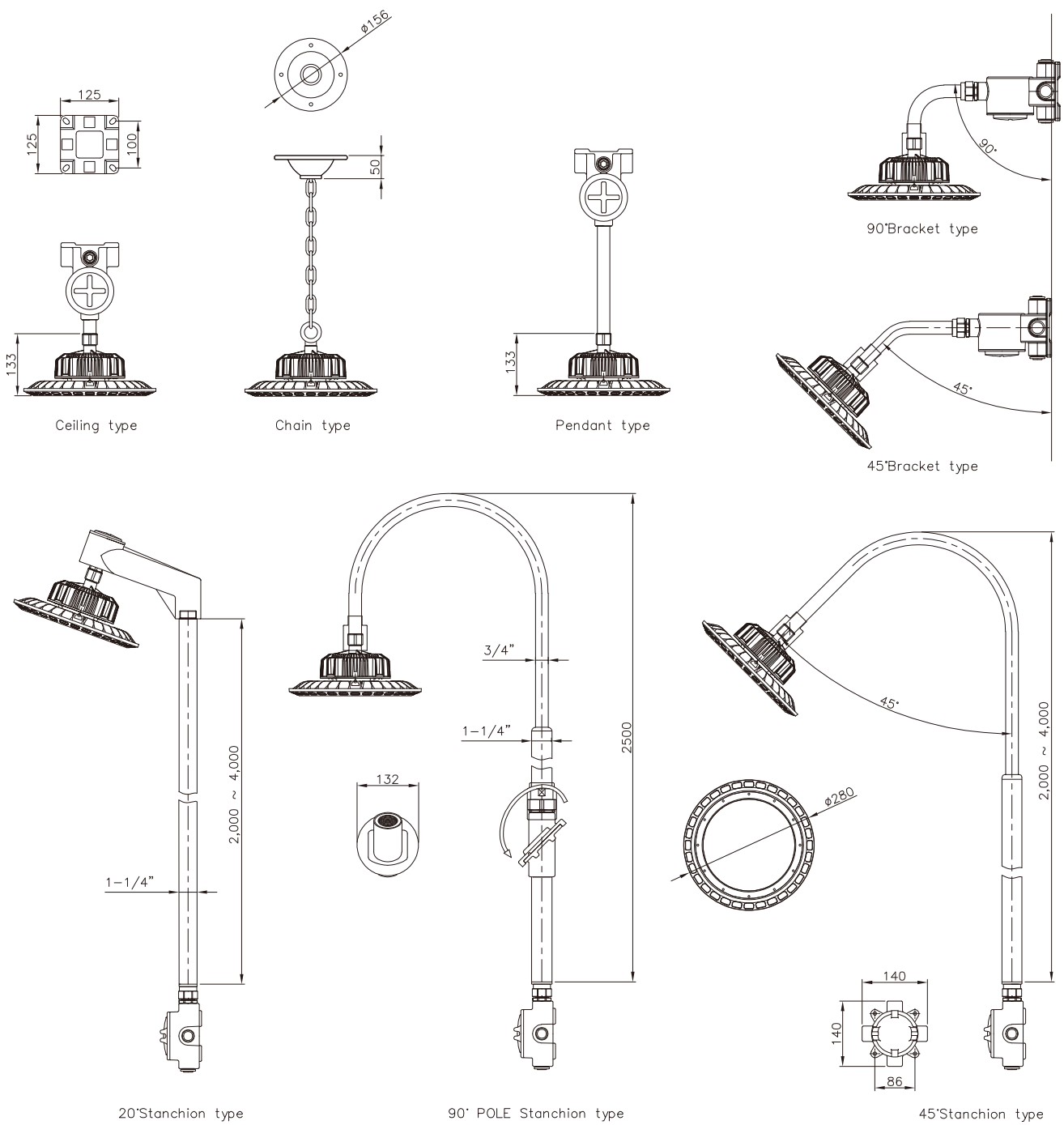


CERTIFICATION





LED WPF*





LED 투광등기구

LED Flood Lighting Fixture

Top rate energy saving
Excellent Luminous efficiency
Consistent color rendering
Light Weight
Effortless installation
Quality Waterproof part

LED LUCIA

PRODUCT CONTENTS

Model Name	Power	Certificate	Luminous efficiency	Total luminous flux	Type	Weight
LUCIA60-PL	60 W	한국표준협회, 적합등록필증, 녹색인증	180 lm/W \pm 10 %	10 800 lm \pm 10 %	Pendante Lens	2.7 kg \pm 10 %
LUCIA60-1PG	60 W	한국표준협회	180 lm/W \pm 10 %	10 800 lm \pm 10 %	Pendante Glass	2.7 kg \pm 10 %
LUCIA60-1PLG	60 W	한국표준협회	180 lm/W \pm 10 %	10 800 lm \pm 10 %	Pendante Lens Glass	2.7 kg \pm 10 %
LUCIA60-1CL	60 W	한국표준협회, 적합등록필증, 녹색인증	180 lm/W \pm 10 %	10 800 lm \pm 10 %	Chain Lens	2.7 kg \pm 10 %
LUCIA60-1CG	60 W	한국표준협회, 적합등록필증, 녹색인증	180 lm/W \pm 10 %	10 800 lm \pm 10 %	Chain Glass	2.7 kg \pm 10 %
LUCIA60-1CLG	60 W	한국표준협회, 적합등록필증, 녹색인증	180 lm/W \pm 10 %	10 800 lm \pm 10 %	Chain Lens Glass	2.7 kg \pm 10 %
LUCIA-FL-L82	82 W	한국표준협회, 적합등록필증, 녹색인증	180 lm/W \pm 10 %	14 760 lm \pm 10 %	Pendante Lens	3 kg \pm 10 %
LUCIA-FL-L82G	82 W	한국표준협회	180 lm/W \pm 10 %	14 760 lm \pm 10 %	Pendante Glass	3 kg \pm 10 %
LUCIA-FL-L82LG	82 W	한국표준협회	180 lm/W \pm 10 %	14 760 lm \pm 10 %	Pendante Lens Glass	3 kg \pm 10 %
LUCIA-FL-L82C	82 W	한국표준협회, 적합등록필증, 녹색인증	180 lm/W \pm 10 %	14 760 lm \pm 10 %	Chain Lens	3 kg \pm 10 %
LUCIA-FL-L82CG	82 W	한국표준협회	180 lm/W \pm 10 %	14 760 lm \pm 10 %	Chain Glass	3 kg \pm 10 %
LUCIA-FL-L82CLG	82 W	한국표준협회	180 lm/W \pm 10 %	14 760 lm \pm 10 %	Chain Lens Glass	3 kg \pm 10 %

Electrical Characteristics

Type	Built-in SMPS
Protection	IP65
Ambient temp	-20 °C ~ + 40 °C
Beam angle	60 ° / 120 °
Warranty	3 Years
Rated voltage	AC 100 ~ 240 V
Frequency	50 Hz / 60 Hz
Power factor	Min 95%
CCT	5 000 \pm 283 K
CRI	80 \pm 5 %

Material Characteristics

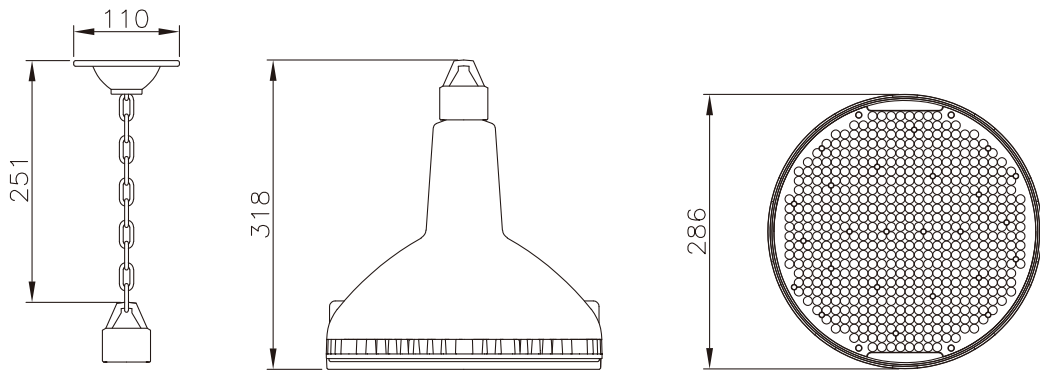
Enclosure	ENG Plastic
Front cover	Tempered Glass / PC
ACC	AL / SUS

CERTIFICATION

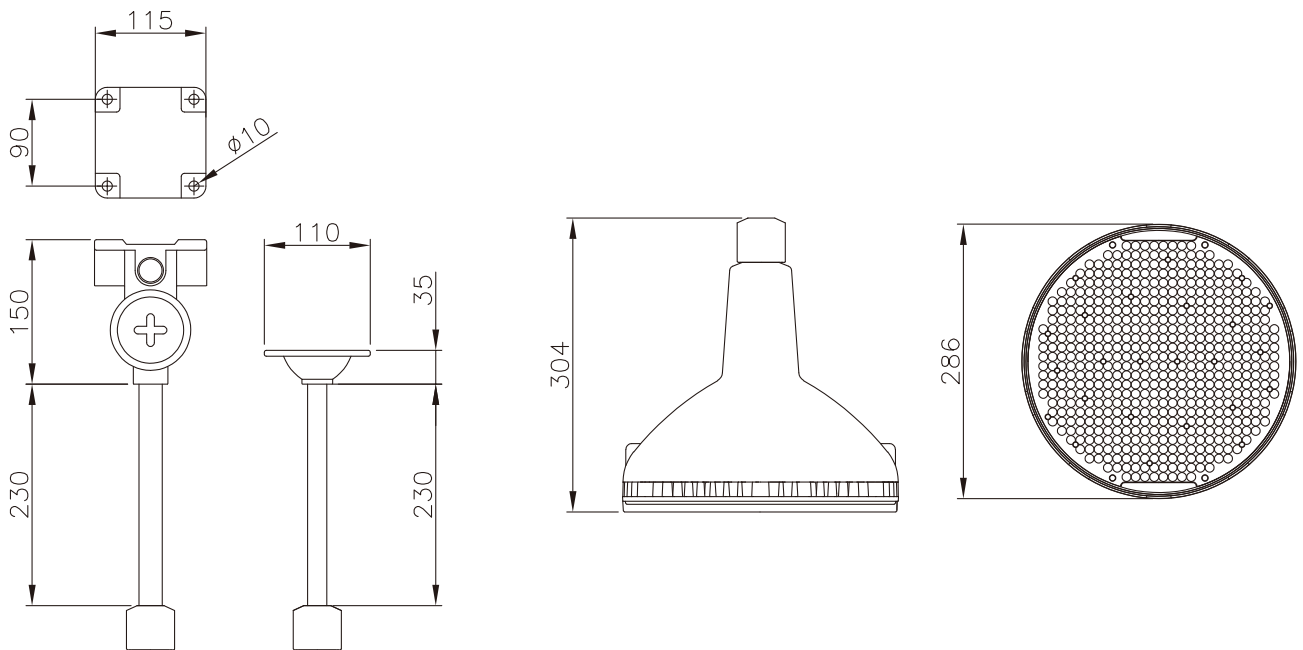




LED LUCIA



Pendante TYPE



Chain TYPE









LED 투광등기구

LED Flood Lighting Fixture

Top rate energy saving
Excellent Luminous efficiency
Consistent color rendering
Light Weight
Effortless installation
Quality Waterproof part

LED IIB

PRODUCT CONTENTS

Model No.	Exd IIB T6-L**~120~***		
Power	30 W	45 W	60 W
Certificate	 한국표준협회	 한국표준협회	    한국표준협회의 고효율기자재 녹색인증 친환경
Luminous efficiency	180 lm/W ± 5 %	180 lm/W ± 5 %	180 lm/W ± 5 %
Total luminous flux	5 400 lm ± 5 %	8 100 lm ± 5 %	10 800 lm ± 5 %
Weight(Head)	10 kg ± 10 %	10 kg ± 10 %	10 kg ± 10 %

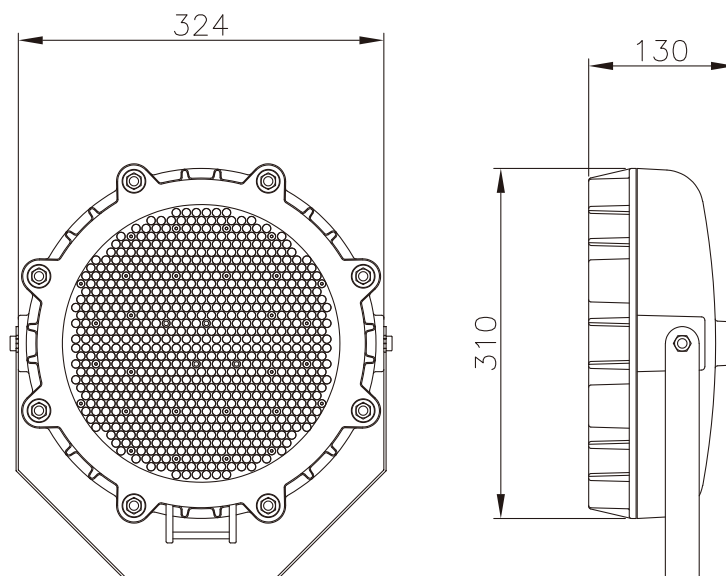
Electrical Characteristics

Type	External / Built-in SMPS
Protection	IP66
Ambient temp	-20 °C ~ + 40 °C
Beam angle	60 ° / 120 ° / 160 °
Warranty	3 Years
Rated voltage	AC 100 ~ 240 V
Frequency	50 Hz / 60 Hz
Power factor	Min 95%
CCT	5 000 ± 283 K
CRI	80 ± 5 %

Material Characteristics

Enclosure	Cast Aluminum Alloy
Front cover	Tempered Glass
ACC	SUS

PRODUCT DRAWING



CERTIFICATION



한국표준협회



적합등록필증

녹색인증
Green Certification

여성기업





LED 투광등기구

LED Flood Lighting Fixture

- Top rate energy saving
- Excellent Luminous efficiency
- Consistent color rendering
- Light Weight
- Effortless installation
- Quality Waterproof part

LED Aurora(Sport Type)

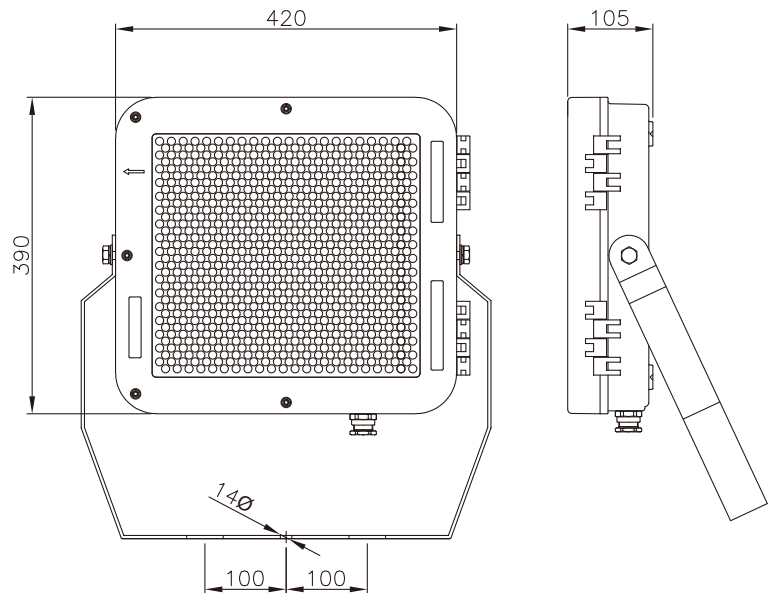
PRODUCT CONTENTS

Model No.	AUF-L ***_***	
Power	120 W	150 W
Certificate		
Luminous efficiency	180 lm/W ± 10 %	180 lm/W ± 10 %
Total luminous flux	21 600 lm ± 10 %	27 000 lm ± 10 %
Weight	10 kg ± 10 %	10 kg ± 10 %

Electrical Characteristics	
Type	Built-in SMPS
Protection	IP66
Ambient temp	-20 °C ~ + 40 °C
Beam angle	60° / 120°
Warranty	3 Years
Rated voltage	AC 100 ~ 240 V
Frequency	50 Hz / 60 Hz
Power factor	Min 95%
CCT	5 000 ± 283 K
CRI	80 ± 5 %

Material Characteristics	
Enclosure	Die Cast Aluminum Alloy
Front cover	Tempered Glass
ACC	SUS

PRODUCT DRAWING



CERTIFICATION









LED 투광등기구

LED Flood Lighting Fixture

Top rate energy saving
Excellent Luminous efficiency
Consistent color rendering
Light Weight
Effortless installation
Quality Waterproof part

LED Aurora(Sport Type)

PRODUCT CONTENTS

Model No.	AUS-P1-L ***_***			
Power	200 W	250 W	300 W	350 W
Certificate	 한국표준협회 고요율기자재 녹색인증	 한국표준협회 고요율기자재 녹색인증	 한국표준협회 고요율기자재 녹색인증	 한국표준협회
Luminous efficiency	180 lm/W ± 10 %	180 lm/W ± 10 %	180 lm/W ± 10 %	180 lm/W ± 10 %
Total luminous flux	36 000 lm ± 10 %	45 000 lm ± 10 %	54 000 lm ± 10 %	63 000 lm ± 10 %
Weight	10.5 kg ± 10 %	10.5 kg ± 10 %	10.5 kg ± 10 %	10.5 kg ± 10 %

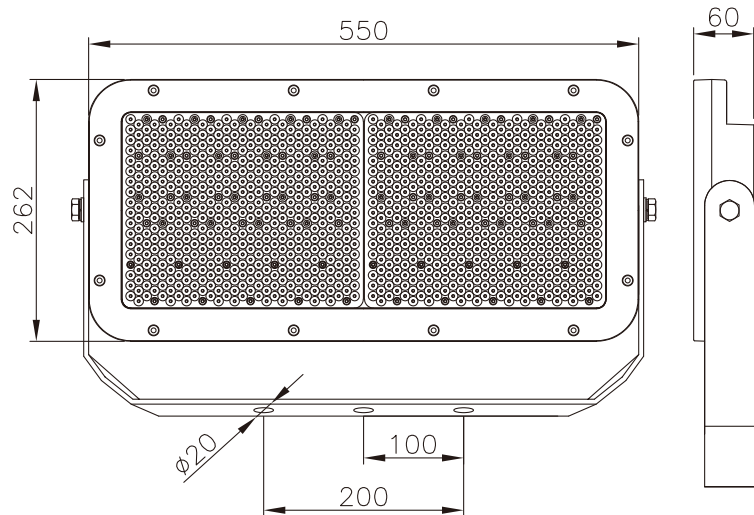
Electrical Characteristics

Type	External SMPS
Protection	IP66
Ambient temp	-20 °C ~ + 40 °C
Beam angle	20 ° / 120 °
Warranty	3 Years
Rated voltage	AC 100 ~ 240 V
Frequency	50 Hz / 60 Hz
Power factor	Min 95%
CCT	5 000 ± 283 K
CRI	80 ± 5 %

Material Characteristics

Enclosure	Cast Aluminum Alloy
Front cover	Tempered Glass
ACC	SUS

PRODUCT DRAWING



CERTIFICATION








LED 투광등기구

LED Flood Lighting Fixture

Top rate energy saving
Excellent Luminous efficiency
Consistent color rendering
Light Weight
Effortless installation
Quality Waterproof part

LED Aurora(Sport Type)

PRODUCT CONTENTS

Model No.	AUS-P2*-L***_***		AUS-P2F-L600-***
Power	400 W	500 W	600 W
Certificate	 한국표준협회 고품질인증 녹색인증	 한국표준협회	 한국표준협회 고품질인증 녹색인증
Luminous efficiency	180 lm/W \pm 10 %	180 lm/W \pm 10 %	180 lm/W \pm 10 %
Total luminous flux	72 000 lm \pm 10 %	90 000 lm \pm 10 %	108 000 lm \pm 10 %
Weight	17 kg \pm 10 %	17 kg \pm 10 %	17 kg \pm 10 %

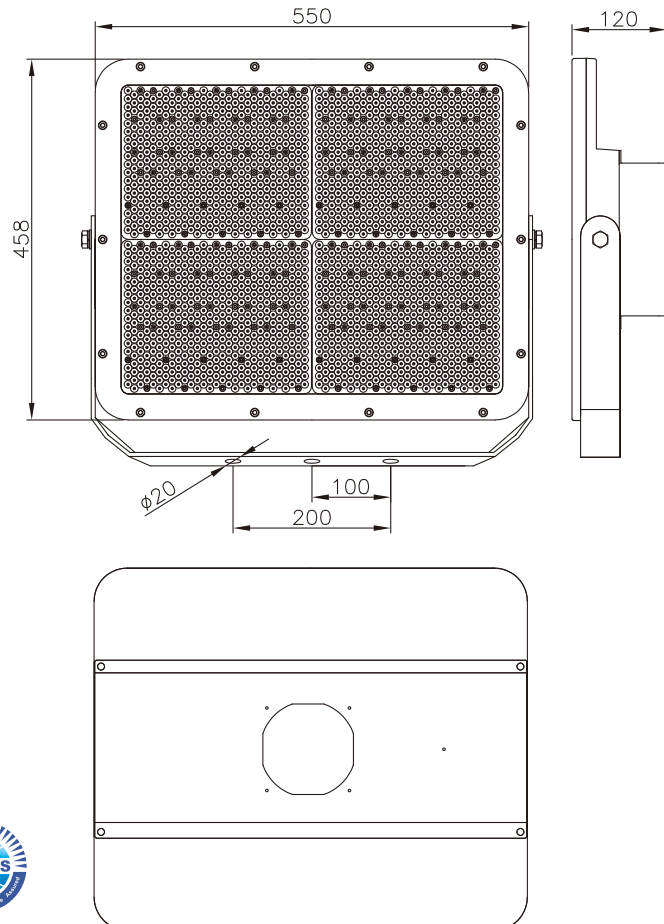
Electrical Characteristics

Type	External SMPS
Protection	IP66
Ambient temp	-20 °C ~ + 40 °C
Beam angle	20 ° / 120 °
Warranty	3 Years
Rated voltage	AC 100 ~ 240 V
Frequency	50 Hz / 60 Hz
Power factor	Min 95%
CCT	5 000 \pm 283 K
CRI	80 \pm 5 %

Material Characteristics

Enclosure	Cast Aluminum Alloy
Front cover	Tempered Glass
ACC	SUS

PRODUCT DRAWING



CERTIFICATION








LED 투광등기구

LED Flood Lighting Fixture

Top rate energy saving
 Excellent Luminous efficiency
 Consistent color rendering
 Light Weight
 Effortless installation
 Quality Waterproof part

LED Aurora(Sport Type)

PRODUCT CONTENTS

Model No.	AUS-BP2F2-L****		
Power	800 W	1000 W	1200 W
Certificate	 한국표준협회 고효율기자재 녹색인증	 한국표준협회 고효율기자재 녹색인증	 한국표준협회 고효율기자재 녹색인증
Luminous efficiency	180 lm/W \pm 10 %	180 lm/W \pm 10 %	180 lm/W \pm 10 %
Total luminous flux	144 000 lm \pm 10 %	180 000 lm \pm 10 %	216 000 lm \pm 10 %
Weight	21 kg \pm 10 %	21 kg \pm 10 %	21 kg \pm 10 %

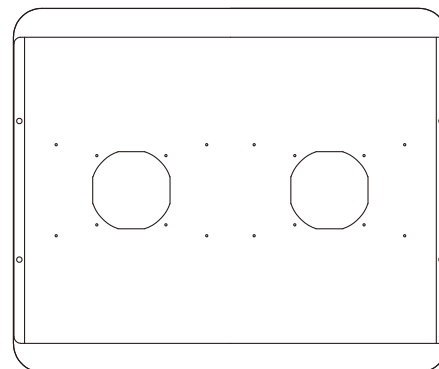
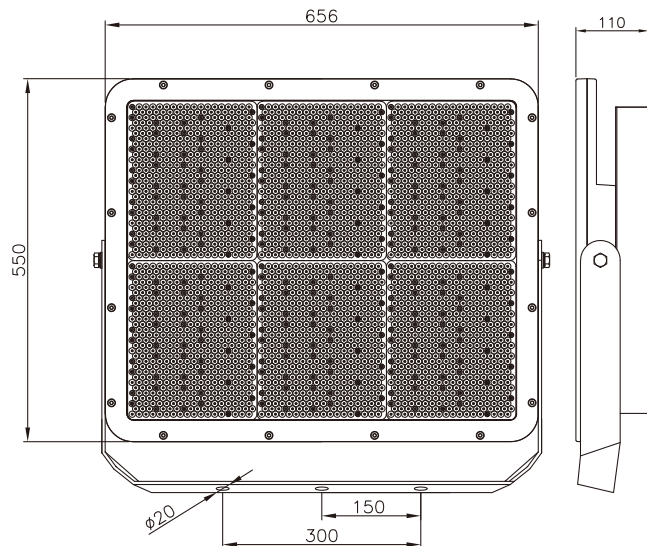
Electrical Characteristics

Type	External SMPS
Protection	IP66
Ambient temp	-20 °C ~ + 40 °C
Beam angle	20 ° / 120 °
Warranty	3 Years
Rated voltage	AC 100 ~ 240 V
Frequency	50 Hz / 60 Hz
Power factor	Min 95%
CCT	5 000 \pm 283 K
CRI	80 \pm 5 %

Material Characteristics

Enclosure	Cast Aluminum Alloy
Front cover	Tempered Glass
ACC	SUS

PRODUCT DRAWING



CERTIFICATION








LED 투광등기구

LED Flood Lighting Fixture

Top rate energy saving
Excellent Luminous efficiency
Consistent color rendering
Light Weight
Effortless installation
Quality Waterproof part

LED Aurora(Sport Type)

PRODUCT CONTENTS

Model No.	AUS-CP2F2-L****		
Power	800 W	1000 W	1200 W
Certificate	 한국표준협회	 한국표준협회	 한국표준협회
Luminous efficiency	180 lm/W \pm 10 %	180 lm/W \pm 10 %	180 lm/W \pm 10 %
Total luminous flux	144 000 lm \pm 10 %	180 000 lm \pm 10 %	216 000 lm \pm 10 %
Weight	21 kg \pm 10 %	21 kg \pm 10 %	21 kg \pm 10 %

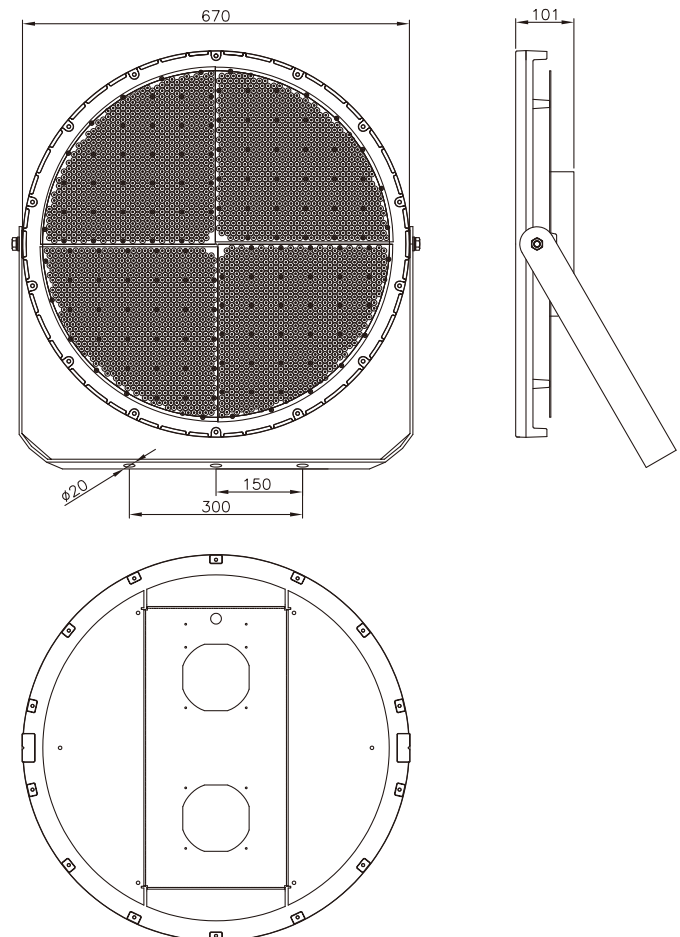
Electrical Characteristics

Type	External SMPS
Protection	IP66
Ambient temp	-20 °C ~ + 40 °C
Beam angle	20 ° / 120 °
Warranty	3 Years
Rated voltage	AC 100 ~ 240 V
Frequency	50 Hz / 60 Hz
Power factor	Min 95%
CCT	5 000 \pm 283 K
CRI	80 \pm 5 %

Material Characteristics

Enclosure	Cast Aluminum Alloy
Front cover	Tempered Glass
ACC	SUS

PRODUCT DRAWING



CERTIFICATION



한국표준협회
적합등록필증
In Progress



여성기업





A nighttime photograph of a city skyline. The most prominent feature is a tall, slender skyscraper on the left, covered in a dense grid of blue LED lights. To its right are two more skyscrapers, one with a curved facade and another with a more traditional rectangular shape, both also illuminated. In the foreground, a paved plaza is visible with a modern street lamp on the right side that has a large, glowing white spherical light fixture. A group of people is gathered in the middle ground near a structure that looks like a fountain or a public art installation. The sky is dark, and the overall scene is a vibrant display of urban lighting.

LED TUNNEL LIGHTING FIXTURE

LED 터널등기구









LED 터널 등기구

LED Tunnel Lighting Fixture

Top rate energy saving
Excellent Luminous efficiency
Consistent color rendering
Light Weight
Effortless installation
Quality Waterproof part

LED Aurora

PRODUCT CONTENTS

Model No.	AUR-TN-L ***	
Power	60 W	120 W
Certificate	  	  
Luminous efficiency	180 lm/W \pm 10 %	180 lm/W \pm 10 %
Total luminous flux	10 800 lm \pm 10 %	21 600 lm \pm 10 %
Weight	10 kg \pm 10 %	10 kg \pm 10 %

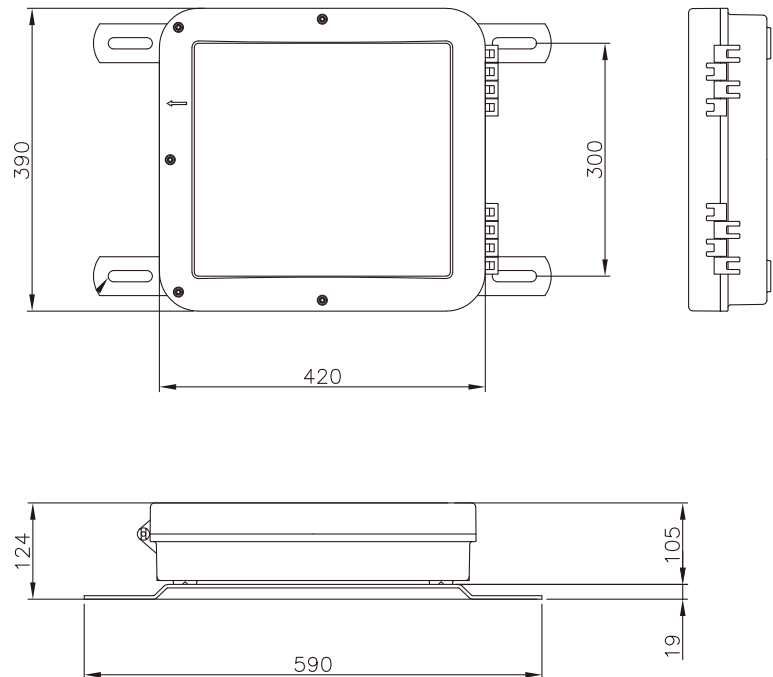
Electrical Characteristics

Type	Built-in SMPS
Protection	IP66
Ambient temp	-20 °C ~ + 40 °C
Beam angle	120 °
Warranty	3 Years
Rated voltage	AC 100 ~ 240 V
Frequency	50 Hz / 60 Hz
Power factor	Min 95%
CCT	5 000 \pm 283 K
CRI	80 \pm 5 %

Material Characteristics

Enclosure	Die Cast Aluminum Alloy
Front cover	Tempered Glass
ACC	SUS

PRODUCT DRAWING



CERTIFICATION




















LED 터널 등기구

LED Tunnel Lighting Fixture

Top rate energy saving
Excellent Luminous efficiency
Consistent color rendering
Light Weight
Effortless installation
Quality Waterproof part

LED Aurora

PRODUCT CONTENTS

Model No.	AUR-TE-L **** / AUR-TE-L ***-SE				
Power	50 W	75 W	100 W	150 W	200 W
Certificate	  	  	  	  	  
Luminous efficiency	180 lm/W \pm 10 %	180 lm/W \pm 10 %	180 lm/W \pm 10 %	180 lm/W \pm 10 %	180 lm/W \pm 10 %
Total luminous flux	9 000 lm \pm 10 %	13 500 lm \pm 10 %	18 000 lm \pm 10 %	27 000 lm \pm 10 %	36 000 lm \pm 10 %
Weight	11 kg \pm 10 %	11.5 kg \pm 10 %	12 kg \pm 10 %	12.5 kg \pm 10 %	13 kg \pm 10 %

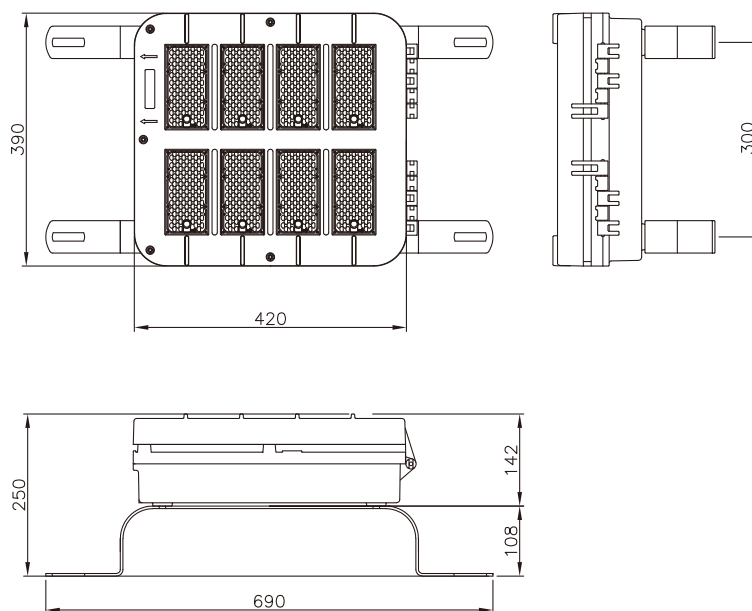
Electrical Characteristics

Type	Built-in SMPS
Protection	IP66
Ambient temp	-20 °C ~ + 40 °C
Warranty	3 Years
Rated voltage	AC 100 ~ 240 V
Frequency	50 Hz / 60 Hz
Power factor	Min 95%
CCT	5 000 \pm 283 K
CRI	80 \pm 5 %

Material Characteristics

Enclosure	Die Cast Aluminum Alloy
Front cover	PC
ACC	SUS

PRODUCT DRAWING



CERTIFICATION



한국표준협회 적합등록필증



여성기업




















LED 터널 등기구

LED Tunnel Lighting Fixture

Top rate energy saving
Excellent Luminous efficiency
Consistent color rendering
Light Weight
Effortless installation
Quality Waterproof part

LED Aurora

PRODUCT CONTENTS

Model No.	AUR-TE-SUS-L**** / AUR-TE-SUS-L***-SE				
Power	50 W	75 W	100 W	150 W	200 W
Certificate	  	  	  	  	  
Luminous efficiency	180 lm/W ± 10 %	180 lm/W ± 10 %	180 lm/W ± 10 %	180 lm/W ± 10 %	180 lm/W ± 10 %
Total luminous flux	9 000 lm ± 10 %	13 500 lm ± 10 %	18 000 lm ± 10 %	27 000 lm ± 10 %	36 000 lm ± 10 %
Weight	11 kg ± 10 %	11.5 kg ± 10 %	12 kg ± 10 %	12.5 kg ± 10 %	13 kg ± 10 %

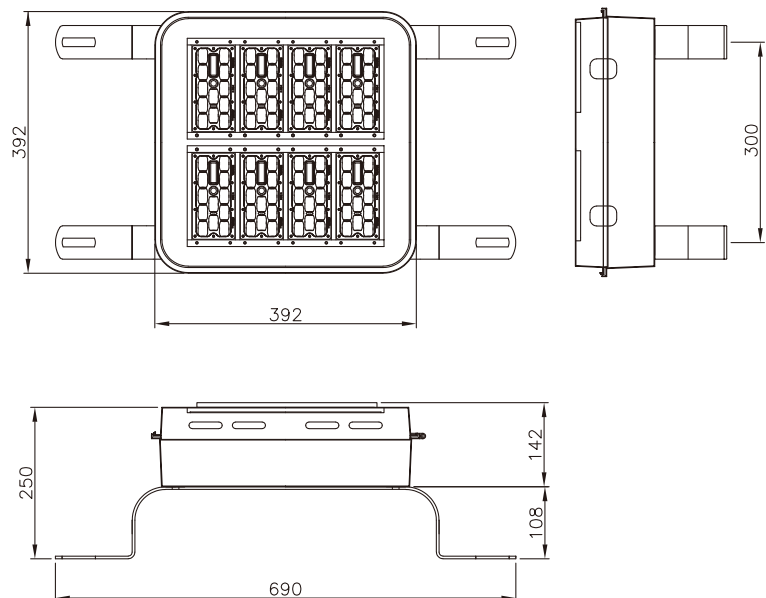
Electrical Characteristics

Type	Built-in SMPS
Protection	IP66
Ambient temp	-20 °C ~ + 40 °C
Warranty	3 Years
Rated voltage	AC 100 ~ 240 V
Frequency	50 Hz / 60 Hz
Power factor	Min 95%
CCT	5 000 ± 283 K
CRI	80 ± 5 %

Material Characteristics

Enclosure	SUS
Front cover	PC
ACC	SUS

PRODUCT DRAWING

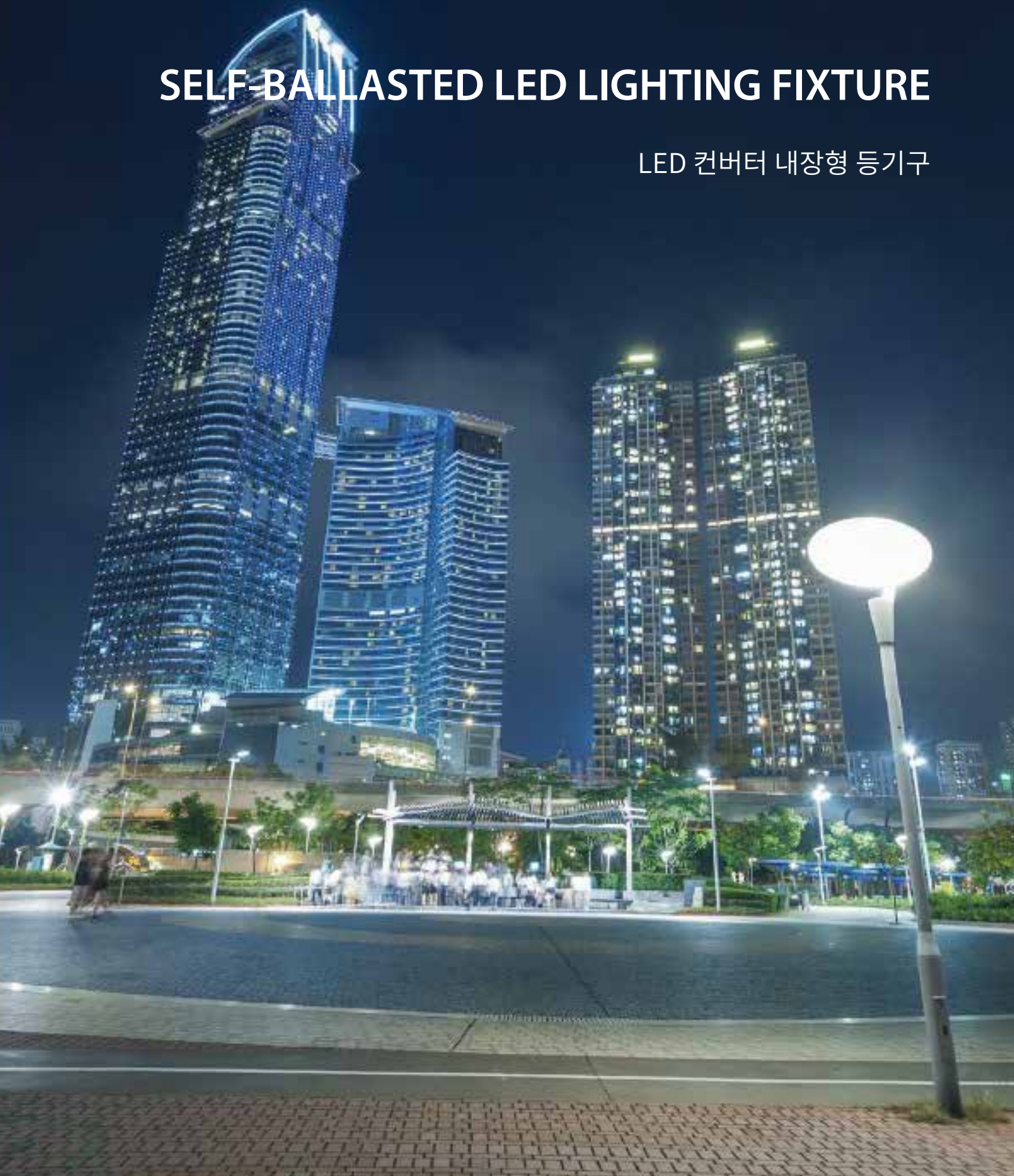


CERTIFICATION



SELF-BALLASTED LED LIGHTING FIXTURE

LED 컨버터 내장형 등기구





Self-ballasted LED lighting Fixture

- Top rate energy saving
- Excellent Luminous efficiency
- Consistent color rendering
- Light Weight
- Effortless installation
- Quality Waterproof part

LED 컨버터내장형 등기구

LED LUCIA

PRODUCT CONTENTS

Model No.	LUCIA *****
Power	25 W
Certificate	
Luminous efficiency	150 lm/W ± 10 %
Total luminous flux	3 750 lm ± 10 %
Weight	0.4 kg ± 10 %
Base type	E26 / E39

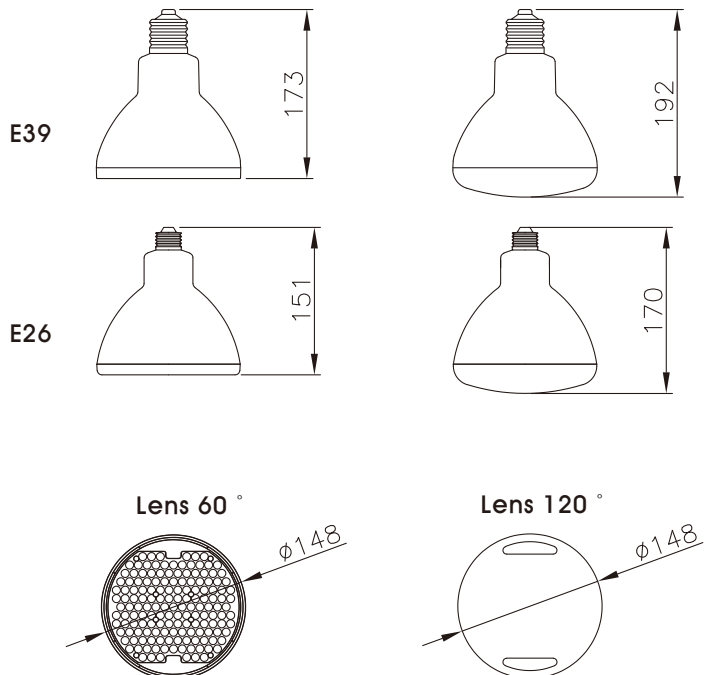
Electrical Characteristics

Type	Built-in SMPS
Protection	IP65
Ambient temp	-20 °C ~ + 40 °C
Warranty	3 Years
Rated voltage	AC 100 ~ 240 V
Frequency	50 Hz / 60 Hz
Power factor	Min 95%
CCT	5 000 ± 283 K
CRI	80 ± 5 %

Material Characteristics

Enclosure	ENG Plastic
Front cover	Tempered Glass / PC
ACC	SUS

PRODUCT DRAWING



CERTIFICATION







Self-ballasted LED lighting Fixture

- Top rate energy saving
- Excellent Luminous efficiency
- Consistent color rendering
- Light Weight
- Effortless installation
- Quality Waterproof part

LED 컨버터내장형 등기구

LED LUCIA

PRODUCT CONTENTS

Model No.	LUCIA-SB-L **	
Power	60 W	80 W
Certificate		
Luminous efficiency	180 lm/W ± 10 %	180 lm/W ± 10 %
Total luminous flux	10 800 lm ± 10 %	14 400 lm ± 10 %
Weight(Head)	2.7 kg ± 10 %	3 kg ± 10 %
Base type	E39	E39

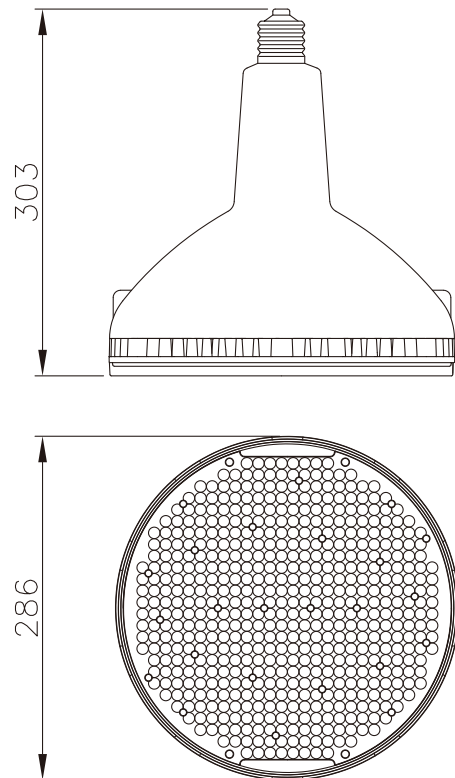
Electrical Characteristics

Type	Built-in SMPS
Protection	IP65
Ambient temp	-20 °C ~ + 40 °C
Warranty	3 Years
Rated voltage	AC 100 ~ 240 V
Frequency	50 Hz / 60 Hz
Power factor	Min 95%
CCT	5 000 ± 283 K
CRI	80 ± 5 %

Material Characteristics

Enclosure	ENG Plastic
Front cover	Tempered Glass / PC
ACC	SUS

PRODUCT DRAWING



CERTIFICATION





A nighttime photograph of a city skyline. On the left, a tall, slender skyscraper is illuminated with blue lights, featuring a curved facade and a pointed top. To its right, another skyscraper with a similar curved design is lit with blue light. Further right, a cluster of taller buildings is lit with warm white lights, showing many windows. In the foreground, a park area is visible with a fountain, people, and several modern streetlights. One prominent streetlight in the lower right has a large, glowing white spherical lamp head. The ground is paved with bricks, and the overall scene is a vibrant urban night scene.

LED PARK LIGHTING FIXTURE

LED 공원등기구

LED 공원등기구
LED Park Lighting Fixture

LED Silvia





SVA-PA-L60



SVA-PB-L100

PRODUCT CONTENTS

Model No.	SVA-PA-L60	SVA-PB-L100
Power	60 W	100 W
Certificate	 KCC	 KCC
Luminous efficiency	150 lm/W ± 10 %	150 lm/W ± 10 %
Total luminous flux	9 000 lm ± 10 %	15 000 lm ± 10 %
Weight(Head)	4.5 kg	9 kg
Arm hole size	Ø 80	Ø 80

Electrical Characteristics

Type	External SMPS
Protection	IP65
Ambient temp	-20 °C ~ + 40 °C
Warranty	3 Years
Rated voltage	AC 100 ~ 240 V
Frequency	50 Hz / 60 Hz
Power factor	Min 95%
CCT	5 000 ± 283 K
CRI	80 ± 5 %

Material Characteristics

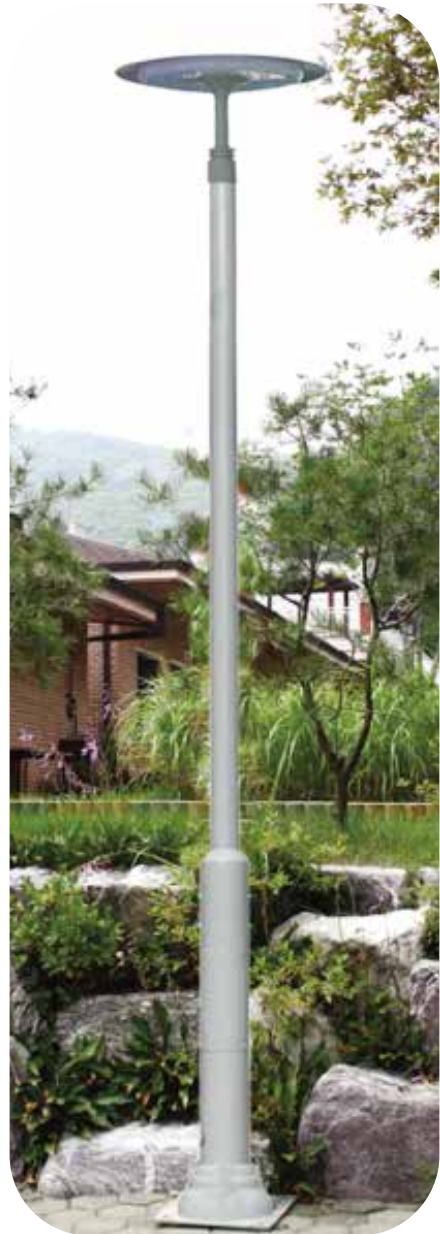
Body	Cast Aluminum Alloy
Front cover	PC
ACC	SUS

CERTIFICATION



LED 공원등기구
LED Park Lighting Fixture

LED Silvia



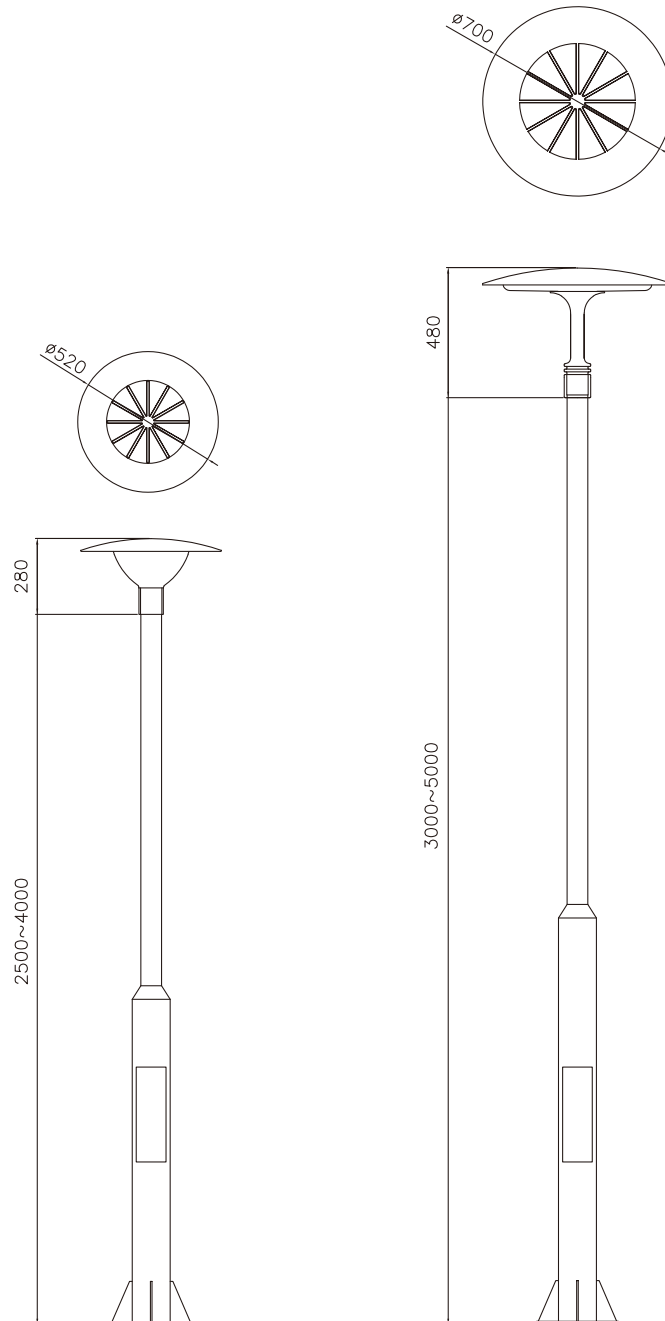
LED 공원등기구
LED Park Lighting Fixture

LED Silvia



LED 공원등기구
LED Park Lighting Fixture

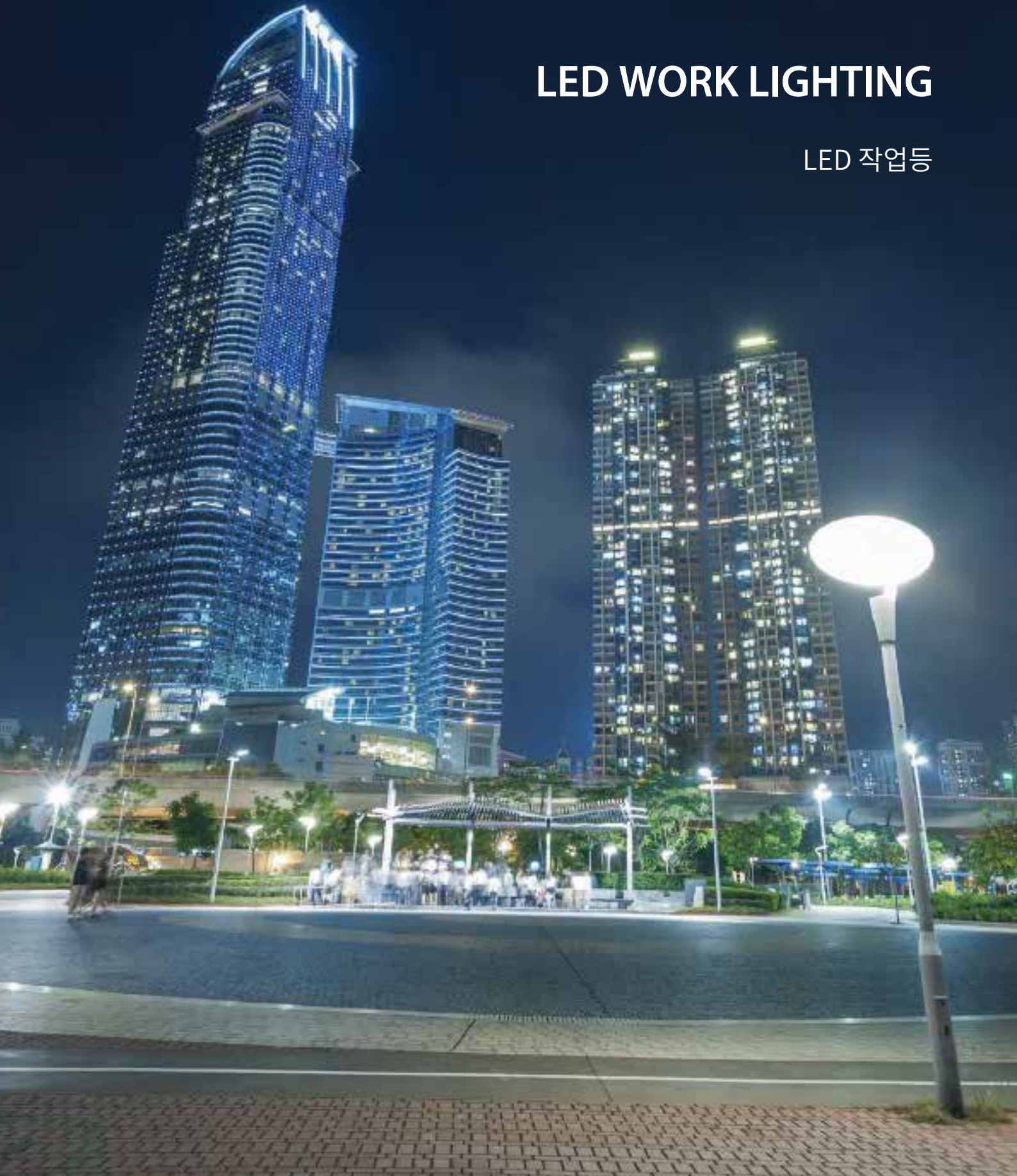
LED Silvia





LED WORK LIGHTING

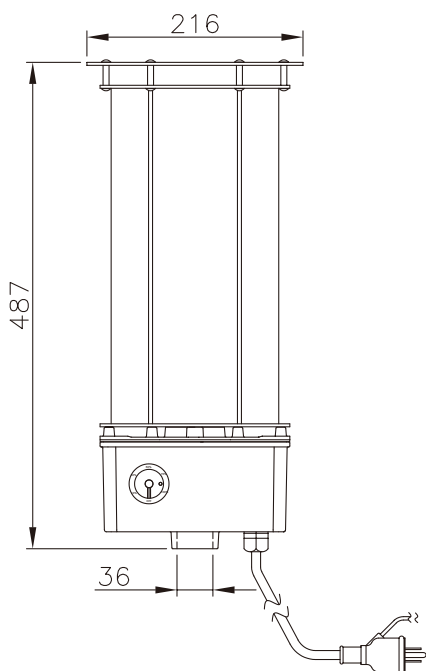
LED 작업등



LED 작업등 LED Work Lighting



LED HY240CR2



PRODUCT CONTENTS

Model No.	HY240CR2
Power	240 W
Certificate	In Progress
PCB	40 W X 6 EA
Luminous efficiency	160 lm/W \pm 10 %
Total luminous flux	38 400 lm \pm 10 %
Weight	6.7 kg
Arm hole size	\varnothing 36

Electrical Characteristics

Type	Built-in SMPS
Protection	IP65
Ambient temp	-20 °C ~ + 40 °C
Warranty	3 Years
Rated voltage	AC 100 ~ 240 V
Frequency	50 Hz / 60 Hz
Power factor	Min 95%
CCT	5 000 \pm 283 K
CRI	80 \pm 5 %

Material Characteristics

Body	Die Cast Aluminum Alloy
Front cover	PC
ACC	SUS

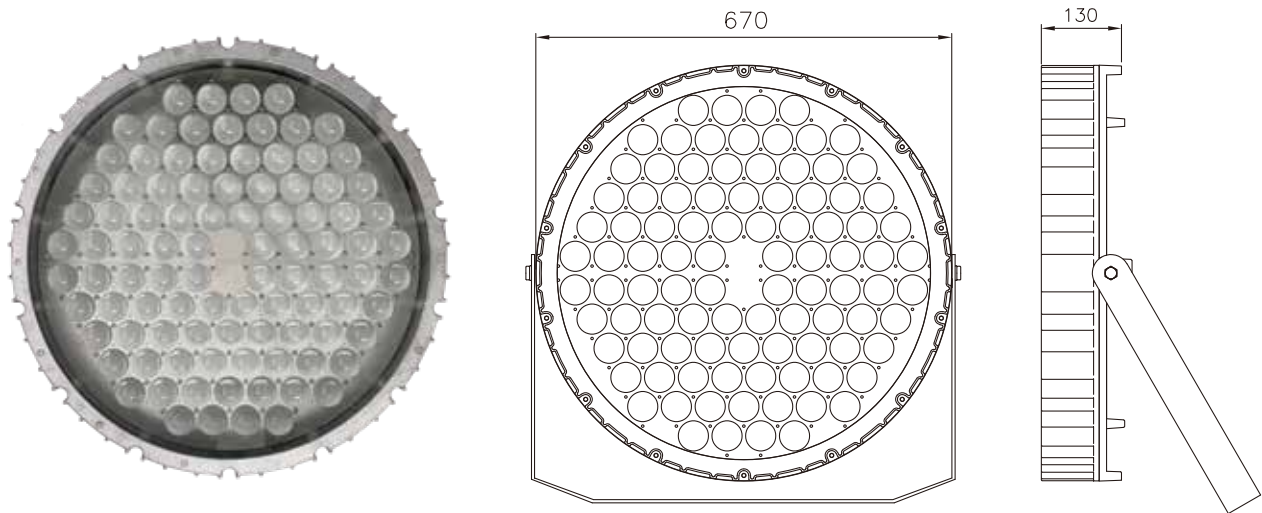
LED SEARCH LIGHTING FIXTURE

LED탐조등기구



LED 탐조등기구 LED Search Lighting Fixture

LED SECI



PRODUCT CONTENTS

Model No.	SECI500	SECI1000
Power	500 W	1000 W
Certificate	In Progress	In Progress
Luminous efficiency	180 lm/W ± 10 %	180 lm/W ± 10 %
Total luminous flux	90 000 lm ± 10 %	180 000 lm ± 10 %
Weight (Head)	25 kg	25 kg

Material Characteristics	
Body	Cast Aluminum Alloy
Front cover	PC
ACC	SUS

Electrical Characteristics	
Type	External SMPS
Protection	IP66
Beam angle	20°
Ambient temp	-20 °C ~ + 40 °C
Warranty	3 Years
Rated voltage	AC 90 ~ 240 V
Frequency	50 Hz / 60 Hz
Power factor	Min 90%
CCT	5 000 ± 283 K
CRI	80 ± 5 %